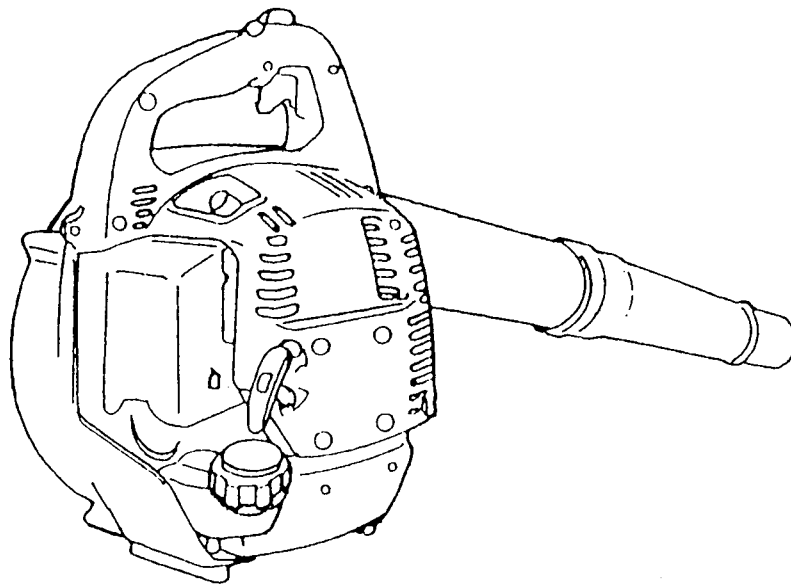


**Makita**

# **BLOWER**

**MODEL RBL250**

## **INSTRUCTION MANUAL**



**Important:**

Read this instruction manual carefully before putting the Blower into operation and strictly observe the safety regulations!

Preserve instruction manual carefully!

Thank you very much for selecting the MAKITA blower. We are pleased to be able to offer you the MAKITA blower which is the result of a long development programme and many years of knowledge and experience.

The blower models RBL250 combine the advantages of state-of-the-art technology with ergonomic design, they are of light weight, handy, compact and represent professional equipment for a great variety of applications.

Please read, understand and follow this booklet which refers in detail to the various points that will demonstrate its outstanding performance. This will assist you to safely obtain the best possible results from your MAKITA Blower.

## Table of Contents

	<b>Page</b>
Symbols .....	2
Safety instructions .....	3~5
Technical data .....	6
Designation of parts .....	6
Assembly instructions .....	7
Fuels/Refuelling .....	7
Blower operation .....	8
Idle adjustment .....	9
Servicing instructions .....	9~10
Storage .....	10



## SYMBOLS

It is very important to understand the following symbols when reading this instructions manual.



WARNING/DANGER



Read, Understand and Follow Instruction Manual



Forbidden



No Smoking



No Open Flame



Protective Gloves must be Worn



Keep the Area of Operation Clear of All Persons and Pets



Wear Eye and Ear Protection



Fuel and Oil Mixture



Engine-manual Start



Emergency Stop



First Aid



Recycling



ON/START



OFF/STOP

# SAFETY INSTRUCTIONS

## GENERAL INSTRUCTIONS

- To ensure correct and safe operation, the user must read, understand and follow this instruction manual to assure familiarity with the handling of the blower (1). Users insufficiently informed will risk danger to themselves as well as others due to improper handling.
- It is recommended only to loan the blower to people who have proven to be experienced with blowers. Always hand over the instruction manual.
- First-time users should ask the dealer for basic instructions to familiarize oneself with the handling of a blower.
- Children and young persons aged under 18 years must not be allowed to operate the blower. Persons over the age of 16 years may however use the tool for the purpose of being trained only while under the direct supervision of a qualified trainer.
- Use blowers with the utmost care and attention.
- Operate the blower only if you are in good physical condition. Perform all work conscientiously and carefully. The user has to accept responsibility for others.
- Never use the blower while under the influence of alcohol or drugs (2).
- Do not use the unit when you are tired.
- Save these instructions for future referral.

## PERSONAL PROTECTIVE EQUIPMENT

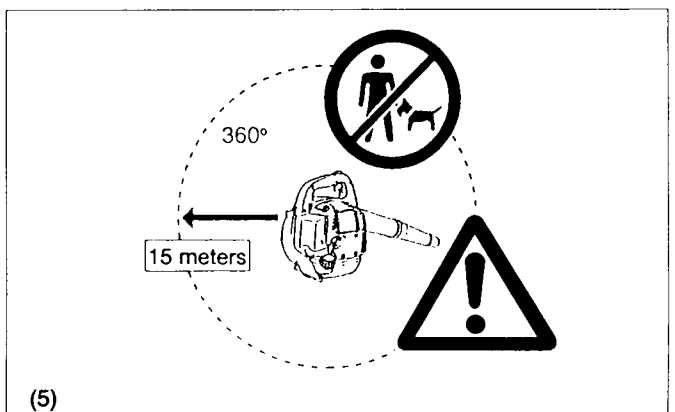
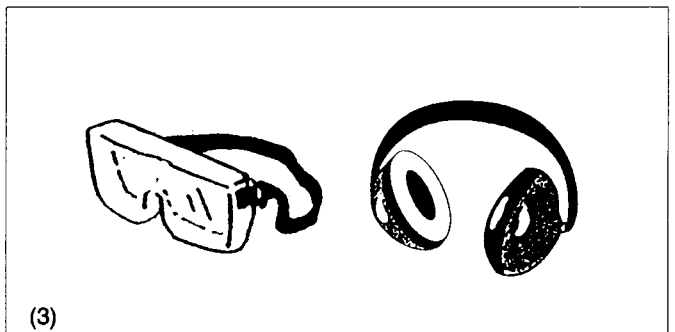
- The clothing worn should be functional and appropriate, i. e. It should be tight-fitting but not cause a hinderance. Do not wear jewelry, clothing or long hair which could be drawn into the air intake.
- In order to avoid head-, eye-, hand- or foot injuries as well as to protect your hearing the following protective equipment and protective clothing must be used during operation of the blower.

## PAY PARTICULAR ATTENTION TO THE FOLLOWING REGULATIONS

- Clothing must be sturdy and snug-fitting, but allow complete freedom of movement. Avoid loose-fitting jackets, flared or cuffed pants, scarfs, unconfined long hair or anything that could be drawn into the air intake. Wear overalls or long pants to protect your legs. Do not wear shorts. (4)
- Blower noise may damage your hearing. Wear sound barriers (ear plugs or ear muffs) to protect your hearing. Continual and regular users should have their hearing checked regularly. (3)
- Use of gloves when working with the blower is recommended. Good footing is most important. Wear sturdy shoes with nonslip soles. (4)
- Proper eye protection is a must. Even though the discharge is directed away from the operator, ricochets and bouncebacks can occur during blower operations. (3)
- Never operate a blower unless wearing goggles or properly fitted safety glasses with adequate top and side protection which comply with ANSI Z 87.1 (or your applicable national standard).

## STARTING UP THE BLOWER

- Please make sure that there are no children or other people within a working range of 15 meters (5), also pay attention to any animals in the working vicinity. Never use the blower in urban areas.
- **Before operating, always check that the blower is safe for operation:**  
Check the security of the throttle lever. The throttle lever should be checked for smooth and easy action. Check for proper functioning of the throttle lever lock. Check for clean and dry handles and lest the function of the ON/OFF switch. Keep handles free of oil and fuel.



Start the blower only in accordance with the instructions.

**Do not use any other methods for starting the engine (6)!**

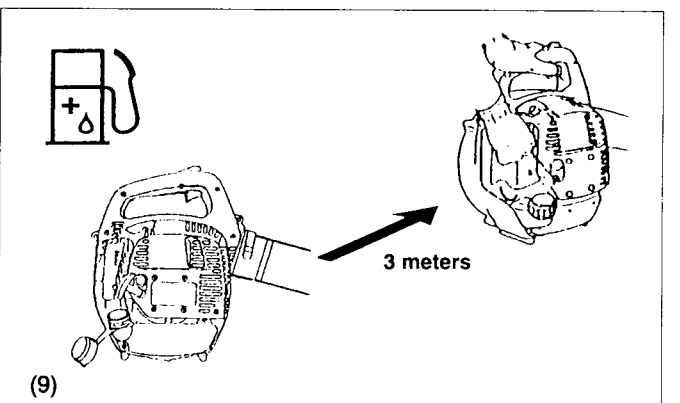
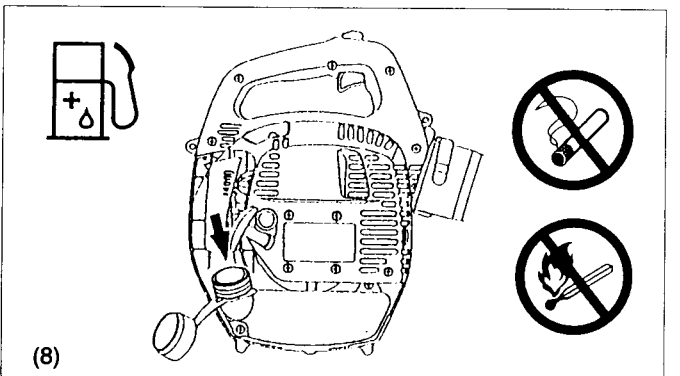
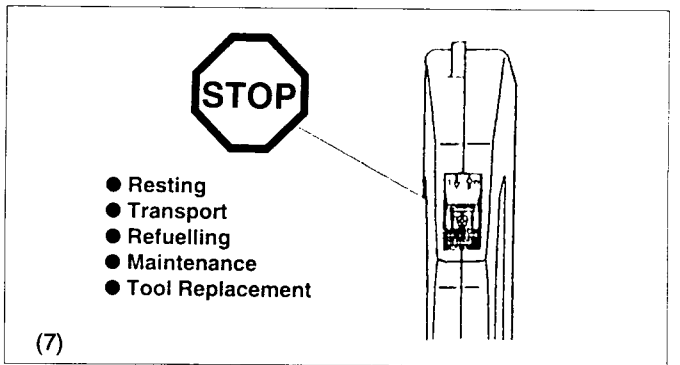
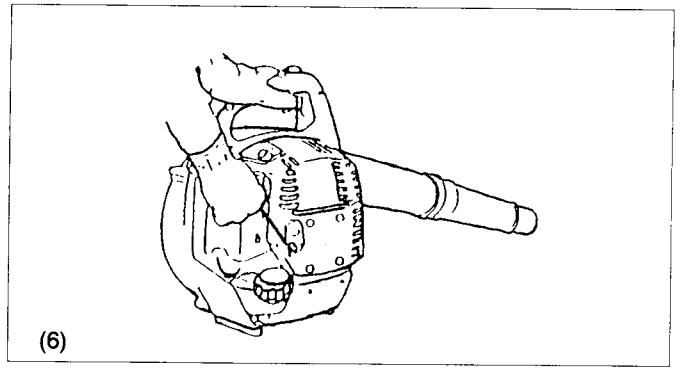
- Use the blower and the tools supplied only for applications specified.
- **Start the blower engine only after the entire tool has been assembled. Operation of the tool is permitted only after all the appropriate accessories are attached.**
- The engine is to be switched off immediately if there are any engine problems.
- When working with the blower, always wrap your fingers tightly around the handle, keeping the control handle cradled between your thumb and forefinger. Keep your hand in this position to have your machine under control at all times. Make sure your control handle (and grip for vacuum attachment) are in good conditions and free of moisture, pitch, oil or grease.

**Always ensure a safe, well-balanced footing.**

- Operate the blower in such a manner as to avoid inhalation of the exhaust gases. Never run the engine in enclosed rooms (risk of suffocation and gas poisoning). Carbon monoxide is an odorless gas. Always ensure there is adequate ventilation.
- Switch off the engine when resting and when leaving the blower unattended. Place it in a safe location prevent danger to others, setting fire to combustible materials, or damage to the machine.
- Never lay the hot blower onto dry grass or onto any combustible materials.
- All protective parts and guards supplied with the machine must be used during operation.
- Never operate the engine with a faulty exhaust muffler.
- Shut off the engine during transport (7).
- During transport over long distances the tool protection included with the equipment must always be used.
- Position the blower safety during car or truck transportation to avoid fuel leakage.
- When transporting the blower, ensure that the fuel tank is completely empty.

**REFUELLING**

- Shut off the engine during refuelling (7), keep well away from open flame (8) and do not smoke.
- Avoid skin contact with petroleum products. Do not inhale fuel vapor. Always wear protective gloves during refuelling. Change and clean protective clothing at regular intervals.
- Take care not to spill either fuel or oil in order to prevent soil contamination (environmental protection). Clean the blower immediately after fuel has been spilled. Allow wet cloths to dry before disposing in proper, covered container to prevent spontaneous combustion.
- Avoid any fuel contact with your clothing. Change your clothing immediately if fuel has been spilled on it (danger hazard).
- Inspect the fuel cap at regular intervals making sure that it stays securely fastened.
- Carefully tighten the locking screw of the fuel tank. Change locations to start the engine (at least 3 meters away from the place of refuelling) (9).
- Never refuels in closed rooms. Fuel vapors accumulate at ground level (risk of explosions).
- Only transport and store fuel in approved containers. Make sure stored fuel is not accessible to children.
- Do not attempt to refuel a hot or a running engine.
- When mixing gasoline with two-cycle engine oil, use only gasoline which contains no ethanol or methanol (types of alcohol). This will help to prevent damage to fuel lines and other engine parts.



## METHOD OF OPERATION

- Use the blower only in good light and visibility. During cold seasons beware of slippery or wet areas, ice and snow (risk of slipping). Always ensure a safe footing.
- Never work on unstable surfaces or steep terrain.
- To reduce the risk of personal injury, do not direct air blast towards bystanders, since the high pressure of the air flow could injure eyes and could blow small objects at great speed.
- Never insert any foreign object into the air intake of the machine or into the nozzle of the blower. It will damage the fan wheel and may cause serious injury to the operator or bystanders as a result of the object or broken parts being thrown out at high speed.
- Pay attention to the direction of the wind, i.e., do not work against the wind.
- To reduce the risk of stumbling and loss of control, do not walk backward while operating the machine.
- Always shut off the engine before cleaning or servicing the unit or replacing parts.

## MAINTENANCE INSTRUCTIONS

- Be kind to the environment. Operate the blower with as little noise and pollution as possible. In particular check the correct adjustment of the carburetor.
- Clean the blower at regular intervals and check that all screws and nuts are securely tightened.
- Never service or store the blower in the vicinity of open flames, sparks, etc. (11).
- Always store the blower in a well-ventilated locked room and with an emptied fuel tank.

**Observe and follow all relevant accident prevention instructions issued by the trade associations and by insurance companies. Do not perform any modifications to the blower as this will risk your safety.**

The performance of maintenance or repair work by the user is limited to those activities as described in this instruction manual. All other work is to be done by Authorized Service Agents.

Use only genuine spare parts and accessories supplied by MAKITA. Use of non-approved accessories and tools means increased risk of accidents and injuries. MAKITA will not accept any liability for accidents or damage caused by the use of any non-approved attachments or accessories.

## FIRST AID

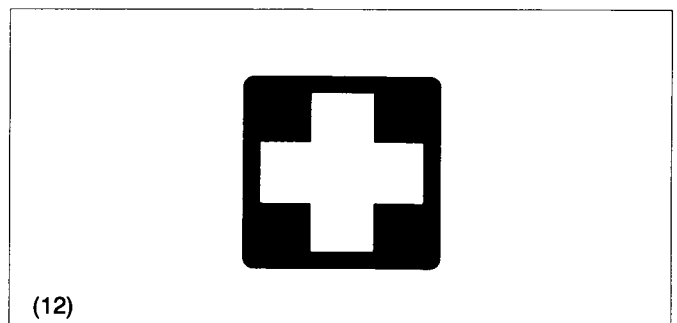
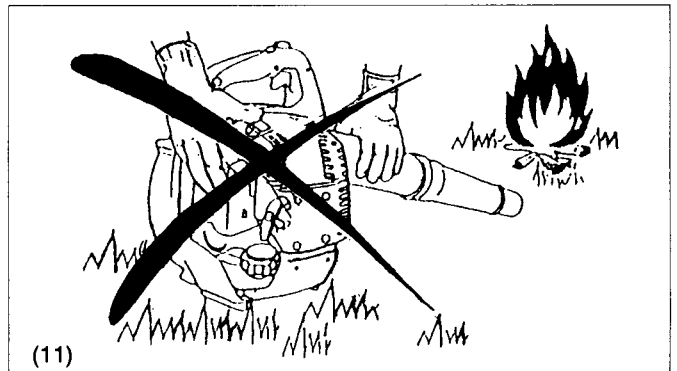
In case of accident make sure that a well-stocked first-aid kit is available in the vicinity of the operations. Immediately replace any item taken from the first aid kit.

**When asking for help, please give the following information:**

- Place of accident
- What happened
- Number of injured persons
- Extent of injuries
- Your name

## PACKAGING

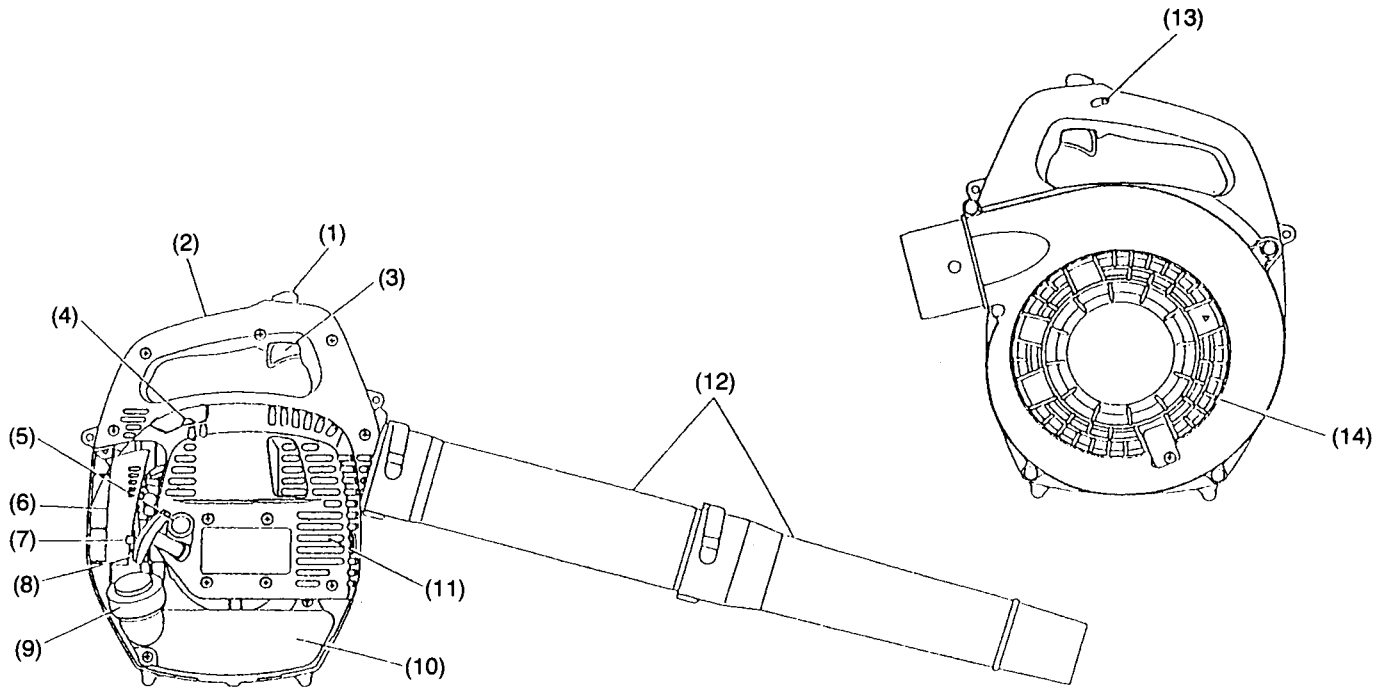
The MAKITA blower is delivered in a protective cardboard box to prevent shipping damage. Cardboard is a basic raw material and is therefore consequently reusable or suitable for recycling (waste paper recycling).



# TECHNICAL DATA

Model	RBL250	
Dimensions: length × width × height (without blower pipe)	mm	300 × 235 × 340
Mass (with blower pipe)	kg	3.7
Engine displacement	cm <sup>3</sup>	24.5
Bore	mm	34
Stroke	mm	27
Volume (fuel tank)	cm <sup>3</sup>	530
Fuel	Mixed gas (Gasoline: Makita Genuine 2 stroke Engine Oil = 50 : 1)	
Carburator (Diaphragm-carburetor)	type	WALBRO WYL
Maximum engine speed	rpm	7,000
Idling speed	rpm	2,600
Ignition system	type	Solid state ignition
Spark plug	type	NGK-BM 7A
Electrode gap	mm	0.6 ~ 0.7

# DESIGNATION OF PARTS



	DESIGNATION OF PARTS		DESIGNATION OF PARTS		DESIGNATION PARTS
1	ON-OFF Switch	7	Choke Lever	13	Lock Button
2	Handle	8	Starter Knob	14	Protector
3	Throttle Lever	9	Fuel Filler Cap		
4	Spark Plug	10	Fuel Tank		
5	Primer Pump	11	Muffler		
6	Air Cleaner	12	Blower Pipe		

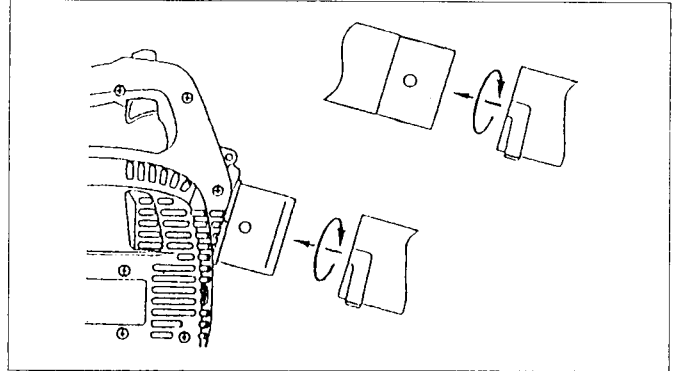
# ASSEMBLY INSTRUCTIONS

## ASSEMBLY OF BLOWER PIPES

**Caution:** Before performing any work on the blower, always switch off the motor and pull the spark plug connectors off the spark plug.  
Always wear protective gloves!

**Caution:** Start the blower only after having assembled it completely.

1. Align grooves in the blower pipe with pegs on the blower housing and slide the pipe onto housing.
2. Turn the blower pipe clockwise to lock it into place.



# FUELS/REFUELLING

## FUEL AND OIL MIXTURE

Inspect the fuel tank and fill with clean, fresh fuel of the proper mixture to assure the longer life of the tool. Use the following mixed gas.

Gasoline : Makita genuine two-stroke engine oil = 50 : 1 or

Gasoline : Other manufacturer's two-stroke engine oil = 25 : 1 recommended

FOR CALIFORNIA REGULATION:

THIS EQUIPMENT IS CERTIFIED TO OPERATE ON GASOLINE + TWO-STROKE ENGINE OIL

WHEN MIXING GASOLINE WITH TWO-STROKE ENGINE OIL, USE ONLY GASOLINE WHICH CONTAINS NO ETHANOL OR METHANOL (TYPES OF ALCOHOL). THIS WILL HELP TO AVOID POSSIBLE DAMAGE TO ENGINE FUEL LINES AND OTHER ENGINE PARTS.

DO NOT MIX GASOLINE AND OIL DIRECTLY IN THE FUEL TANK.

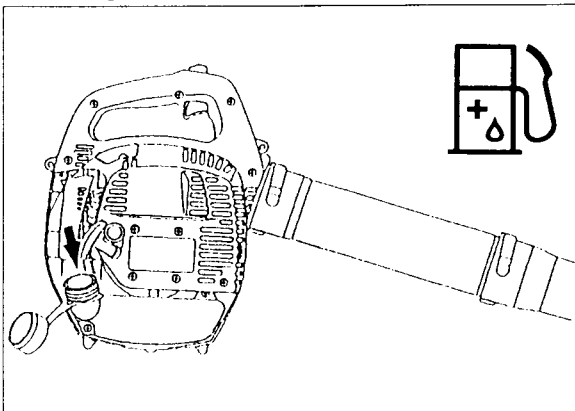
IMPORTANT:

Failure to follow proper fuel mix instructions may cause damage to the engine.

**CAUTION:**

- When preparing fuel mixture, mix only the amount needed for the job you are to do. Do not use fuel mixture that has been stored longer than two months. Fuel mixture stored longer than this will cause hard starting and poor performance. If fuel mix has been stored longer than this time, it should be removed and filled with a fresh mixture.
- Never fill the fuel tank to the very top.
- Never add fuel to the tank in a closed unventilated area.
- Do not add fuel to this unit close to an open fire or sparks.
- Be sure to wipe off spilled fuel before attempting to start the engine.
- Do no attempt to refuel a hot engine.

## Refuelling



The engine must be switched off.

- Thoroughly clean the area around the plugs (1), to prevent dirt from getting into the fuel tank.
- Unscrew the plug (2) and fill the tank with fuel as the case may be.
- Tightly screw on the plug(2).
- Clean screw plug and tank after refuelling!

# BLOWER OPERATION



Observe all applicable accident prevention regulations!

## STARTING

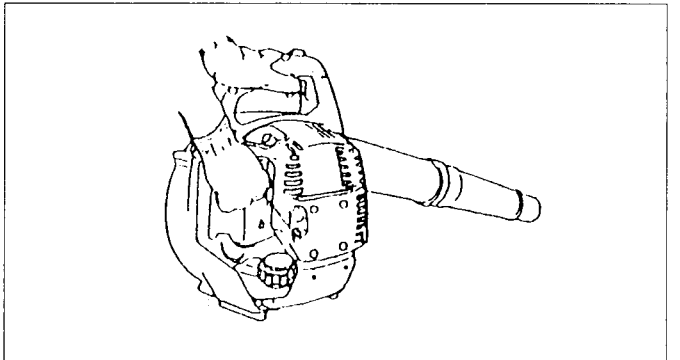
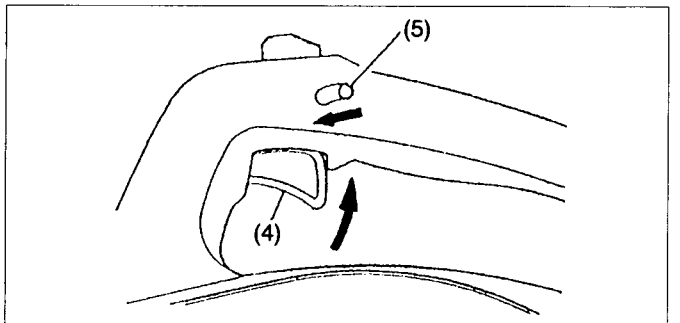
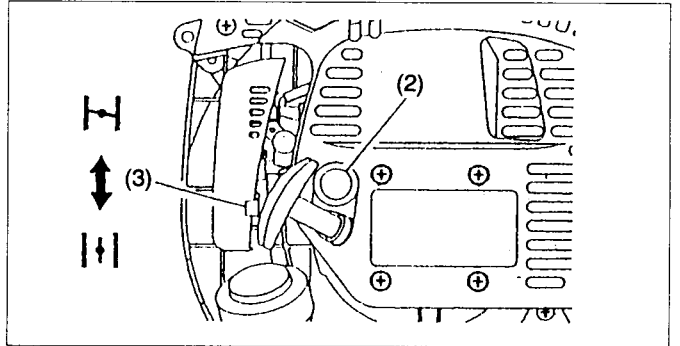
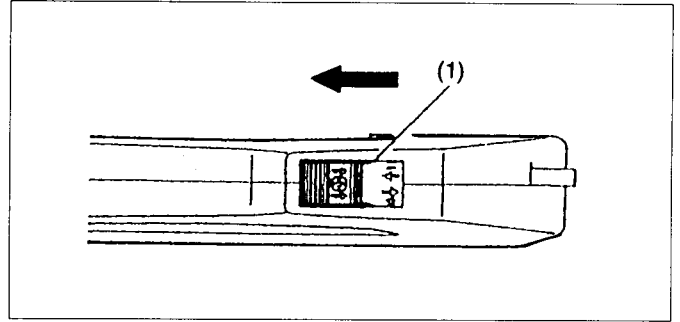
Move at least 3 m away from the place of refueling. Place the blower on an open area of ground taking care that the air flow does not blow objects. Make sure that this area is clear of combustible materials.

1. When the engine is cold, left stopped for more than 5 minutes or when fuel is added to the engine:
  - 1) Push the I-O switch (1) to "I" position.
  - 2) Give a gentle push on the primer pump repeatedly (7 ~ 10 times) until fuel comes into the primer pump (2).
  - 3) Close the choke lever fully by moving it to the I  $\downarrow$  I position (3).
  - 4) Lock the throttle lever in the "start-up" position as follows. Squeeze the throttle lever (4) fully. Then push the lock button (5). Release the throttle lever while pushing the lock button.
  - 5) Place the blower on the ground. Hold the handle with your left hand and give several strong pulls to the starter by your right hand.
  - 6) After the engine is started, open the choke lever fully by moving it gradually to the I  $\uparrow$  I position.
  - 7) Release the throttle lever fully.

**NOTE:** The throttle lever is unlocked when squeezing it slightly.

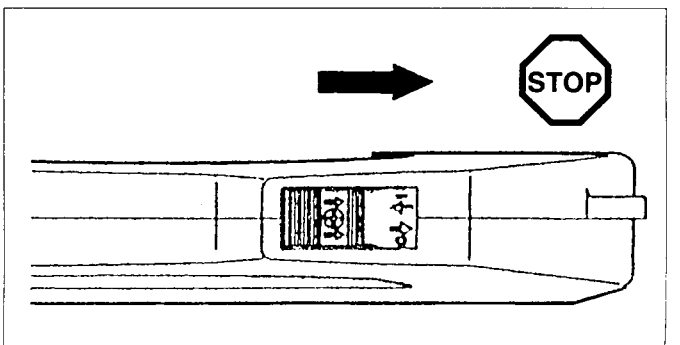
2. Restarting immediately after the engine has stopped:

- 1) Push the I-O switch (1) to "I" position.
- 2) Give a gentle push on the primer pump repeatedly (7 ~ 10 times) until fuel comes into the primer pump (2).
- 3) Open the choke lever fully by moving it to the I  $\uparrow$  I position (3).
- 4) Leave the throttle lever fully released.
- 5) Place the blower on the ground. Hold the handle with your left hand and give several strong pulls to the starter by your right hand.



## STOPPING

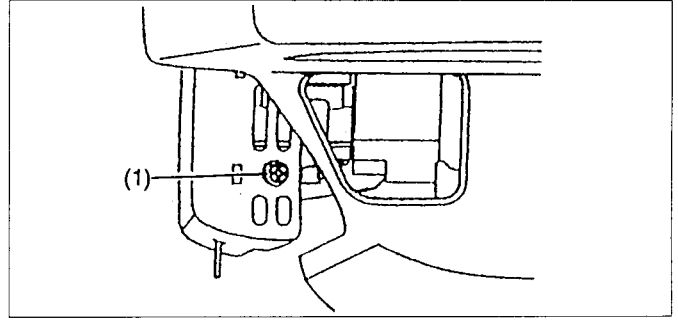
- Release the throttle lever fully, and when the engine rpm has lowered, push the I-O switch to "O" position. Engine will stop.





## IDLE ADJUSTMENT

- If engine stops while idling, turn the idle adjusting screw (1) clockwise until the engine runs smoothly.



## SERVICING INSTRUCTIONS

**CAUTION:** Before doing any work on the blower always switch off the motor and pull the plug caps off the spark plugs (see “Checking the spark plugs” page 12). Always wear protective gloves!



To ensure a long service life and to avoid any damage to the equipment, the following servicing operations should be performed at regular intervals.

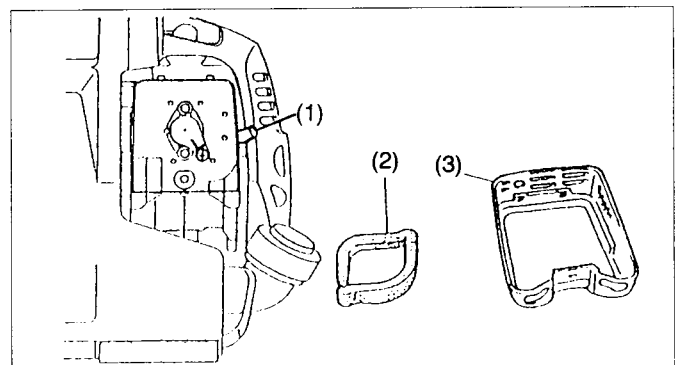
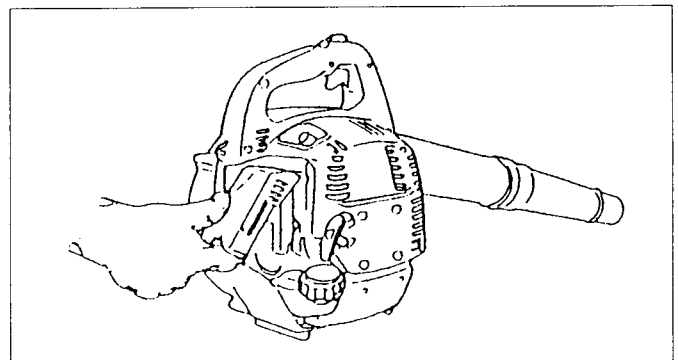
### DAILY CHECKUP AND MAINTENANCE

- Before operation, check the machine for loose screws or missing parts. **Every 8 hours (Daily).**
- Before operation, always check for clogging of the cooling air passage and the cylinder fins. Clean them if necessary. **Every 8 hours (Daily).**
- Perform the following maintenance daily after use:
  - Clean the blower externally and inspect for damage.
  - Clean the air filter. When working under extremely dusty conditions, clean the filter and blow out the cooling air passage and cylinder fins several times a day.
- Check for proper functioning of the I-O switch, the throttle lever, and the lock button.

### CLEANING OF AIR CLEANER Every 8 hours (Daily)

- Remove the air cleaner cover.
- Push the choke lever (1) to the closed position to prevent dirt particles from entering the carburetor.
- Take out the sponge element (2), wash it in lukewarm water and dry it completely.
- After cleaning, put back the air cleaner cover (3).

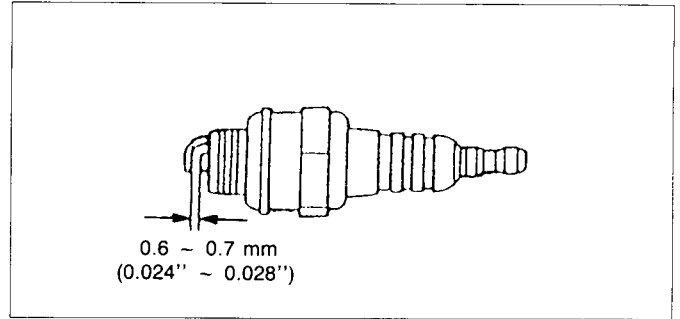
**NOTE:** If there is excessive dust or dirt adhering to the air cleaner, clean it every day. A clogged air cleaner may make it difficult or impossible to start the engine increase the engine rotational speed.



### CHECKING THE SPARK PLUGS Every 8 hours (Daily)

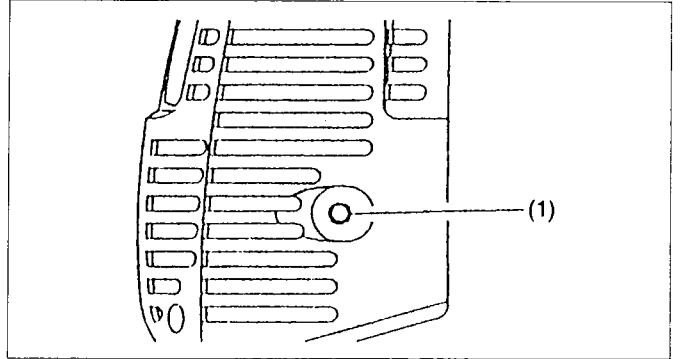
- Use only the supplied socket wrench to remove or install the spark plug.
- The gap between the two electrodes of the spark plug should be 0.6 ~ 0.7 mm (0.024" ~ 0.028"). If the gap is too wide or too narrow, adjust it. If the spark plug is clogged with carbon or fouled, clean it thoroughly or replace it.

**CAUTION: Never touch the spark plug connector while engine is running (danger of high voltage electric shock).**



### CLEANING OF MUFFLER EXHAUST PORT Every 50 hours (Monthly)

- Check muffler exhaust port (1) regularly.
- If it is clogged with carbon deposits, carefully scrape the deposits out with a suitable tool.



Check of fuel filter. If clogged, replace with new one.: Every 50 hours

Replace fuel lines: Every 200 hours (Yearly)

Overhaul engine: Every 200 hours (Yearly)

Replace packings and gaskets with new ones: Every time engine is reassembled.

Any maintenance or adjustment work that has not been included and described in this manual is only to be performed by Authorized Service Agent.

## STORAGE

- When keeping the machine in storage for a long time, drain fuel from the fuel tank and carburetor, as follows: Drain all fuel from the fuel tank. Give a gentle push on the primer pump repeatedly until all fuel is expelled out of the primer pump. Dispose of properly and in accordance with all local laws.
- Remove the spark plugs and add a few drops of oil into each spark plug hole. Then, pull the starter gently. Confirm that oil film covers the engine inside and tighten the spark plugs.
- Clear dirt or dust from outside of engine, wipe them with an oil-immersed cloth and keep the machine locked in a dry, well ventilated location.
- Do not store in a closed area where fuel vapors can reach an open flame from hot water heaters, furnaces etc.

# California Emission Control Warranty Statement

## YOUR WARRANTY RIGHTS AND OBLIGATIONS

*The California Air Resources Board and Makita U.S.A., Inc. are pleased to explain the emission control warranty on your 1995 and later utility and/or lawn and garden equipment engine. In California, new utility and lawn and garden equipment engines must be designed, built and equipped to meet the State's stringent anti-smog standards. Makita U.S.A., Inc. must warrant the emission control system on your utility and/or lawn and garden equipment engine for the periods of time listed below provided there has been no abuse, neglect or improper maintenance of your utility and/or lawn and garden equipment engine.*

*Your emission control system includes parts such as the carburetor or fuel injection systems, the ignition system and the catalytic converter. Also included are the hoses and connectors and other emission-related assemblies.*

*Where a warrantable condition exists, Makita U.S.A., Inc. will repair your utility and/or lawn and garden equipment at no cost to you including diagnosis, parts and labor.*

## **MANUFACTURER'S WARRANTY COVERAGE:**

*The 1995 and later utility and/or lawn and garden equipment engines are warranted for two years. If any emission-related part on your engine is defective, the part will be repaired or replaced by Makita U.S.A., Inc.*

## **OWNER'S WARRANTY RESPONSIBILITIES:**

*As the utility and lawn and garden equipment engine owner, you are responsible for the performance of the required maintenance listed in your owner's manual. Makita U.S.A., Inc. recommends that you retain all receipts covering maintenance on your utility and/or lawn and garden equipment engine, but Makita U.S.A., Inc. cannot deny warranty solely for the lack of receipts or for your failure to ensure the performance of all scheduled maintenance.*

*As the utility and/or lawn and garden equipment engine owner, you should be aware, however, that Makita U.S.A., Inc. may deny you warranty coverage if your utility and/or lawn and garden equipment engine or a part has failed due to abuse, neglect, improper maintenance or unapproved modifications.*

*You are responsible for presenting your utility and/or lawn and garden equipment engine to a Makita U.S.A., Inc. service center as a problem exists. The warranty repairs should be completed in a reasonable time, not to exceed 30 days.*

*If you have any questions regarding your warranty rights and responsibilities, you should contact a Makita Factory Service Center Manager nearest you. A list of the Factory Service Center locations and phone numbers is provided below for your convenience.*

## **LIMITED WARRANTY**

**- California Only -**

Makita U.S.A., Inc., a distributor of utility and lawn and garden equipment in the U.S., warrants to the owner of 1995 and later utility and/or lawn and garden equipment engines that the engine (1) has been designed, built, and equipped at the time of manufacture so as to conform with the applicable regulations of the California Air Resources Board, and (2) is free from defects in materials and workmanship which may cause it to fail to conform with those regulations as applicable according to the terms and conditions stated below.

### **WARRANTY PERIOD**

The warranty period begins on the date which the utility and/or lawn and garden equipment engine is delivered to the original retail purchaser and ends two years after that date. During this two year period Makita U.S.A., Inc. warrants to the original retail purchaser and each subsequent purchaser that the engine is free from defect in material and workmanship that can cause the failure of a warranted emission-related part.

### **WHAT IS COVERED UNDER THIS WARRANTY**

Repair and/or replacement of any warranted emission-related part will be performed at no charge provided the work is performed at an authorized warranty station. There will also be no charge for any diagnostic labor performed at an authorized warranty station which leads to the determination that a warranted emission-related part is defective.

Any warranted part which is not scheduled for replacement as required maintenance, or which is scheduled only for regular inspection to the effect of "repair or replace as necessary" shall be warranted for the warranty period. Any warranted part which is scheduled for replacement as required maintenance shall be warranted for the period of time up to the first scheduled replacement of that part. This warranty shall apply only towards the repair, replacement, and/or adjustment of the component parts listed below.

### **EMISSION-RELATED PARTS COVERED UNDER THIS WARRANTY**

1. Fuel Metering Systems
  - (a) Carburetor and its internal parts
  - (b) Air cleaner plate
  - (c) Air cleaner case
  - (d) Air cleaner element
  - (e) Fuel filter
  - (f) Throttle stopper
2. Ignition Systems
  - (a) Spark Plug
  - (b) Flywheel Magneto
  - (c) Ignition Coil
3. Other Miscellaneous Items Used in Above Systems
  - (a) Fuel Hoses
  - (b) Sealing Gaskets

If it is determined by an authorized warranty station that other engine components have been damaged due to the failure of a warranted emission-related part during the warranty period, Makita U.S.A., Inc. will repair and/or replace the necessary components.

## WHAT IS NOT COVERED UNDER THIS WARRANTY

This warranty does not cover any emission-related part which malfunctions, fails, or is damaged due to alterations and/or modifications such as changing, adding, or removing parts.

When an engine is being serviced under warranty, Makita U.S.A., Inc. and any of its authorized dealers, distributors, or warranty stations shall not be liable for any loss of use of the engine, for any damage to goods, or loss of time or inconvenience.

This limited warranty also does not apply to any emission-related part which malfunctions, fails, or is damaged due to failure to follow the maintenance and operating instructions specified in the 1995 and later Owner's Manual including:

- (a) Improper or inadequate maintenance of any warranted emission-related part.
- (b) Improper installation, adjustment, or repair of the engine or any warranted emission-related part unless performed by a factory authorized warranty station.
- (c) Failure to use recommended fuel as specified in the 1995 and later Owner's Manual.
- (d) Repairs and diagnosis performed outside of an authorized warranty station.
- (e) Use of parts which are not authorized by Makita U.S.A., Inc.

## MAINTENANCE SCHEDULE

The engine owner is responsible for having all scheduled inspection and maintenance services performed at the intervals specified in the 1995 and later Owner's Manual and to retain records of these services as having been performed. These records should be transferred to each subsequent owner of the engine. Makita U.S.A., Inc., cannot deny a claim solely because there are no records of scheduled maintenance; however, a warranty claim may be denied if the failure to perform the scheduled maintenance and inspection resulted in the failure of a warranted emission-related part. As a minimum, the engine owner is responsible for the scheduled inspection and maintenance described below which are based on the procedures described in the Owner's Manual.

### PROCEDURE

### INTERVAL

- |  |                                     |
|--|-------------------------------------|
| (a) Check all nuts and bolts and tighten as necessary.   | Every 8 hours of use or daily.      |
| (b) Check air passages and engine cylinder fins for clogging.<br>Remove all obstructions as necessary. | Every 8 hours of use or daily.      |
| (c) Clean the air cleaner.   | Every 8 hours of use or daily.      |
| (d) Check the spark plug. Clean and adjust it if necessary.  | Every 8 hours of use or daily.      |
| (e) Check the muffler exhaust port. Clean it if necessary.   | Every 50 hours of use or monthly.   |
| (f) Check the fuel filter. If clogged, replace it with a new filter.                                   | Every 50 hours of use or monthly.   |
| (g) Replace fuel lines.  | Every 200 hours of use or annually. |
| (h) Overhaul the engine.   | Every 200 hours of use or annually. |
| (i) Replace the packings and gaskets.  | Every time the engine is assembled. |

## **REPAIR AND REPLACEMENT OF EMISSION-RELATED PARTS**

It is recommended that only engine replacement parts which have been authorized and approved by Makit U.S.A., Inc. should be used in the performance of any warranty maintenance or repairs of emission-related parts. These replacement parts will be provided at no charge if the part is still under warranty.

### **HOW TO FILE A WARRANTY CLAIM AND WHERE TO GET WARRANTY SERVICES**

Contact the nearest Makita Factory Service Center Manager to determine the appropriate location where the required warranty services are to be performed. A list of the Factory Service Center locations and phone numbers are provided below for your convenience.

14930 Northam Street  
La Mirada, CA 90638-5753  
(714) 522-8088

1421N. Clovis Ave., Ste. 112  
Fresno, CA 93727  
(209) 252-5166

392 S. Arrowhead Ave., #A-1  
San Bernardino, CA 92408  
(909) 885-1289

333 Littlefield Ave.  
S. San Francisco, CA 94080  
(415) 875-1002

16735 Saticoy St., Ste. 105  
Van Nuys, CA 91406  
(818) 782-2440

41850 Christy Street  
Fremont, CA 94538-5107  
(510) 657-9881

4554 Roseville Rd., Ste E  
North Highlands, CA 95660  
(916) 331-6211

7674 Clairemont Mesa Blvd.  
San Diego, CA 92111  
(619) 278-4471

1714 E McFadden Ave., Unit M  
Santa Ana, CA 92705  
(714) 667-5066



**WARNING:** The Engine Exhaust from this product contains chemicals known to the State of California to cause cancer, birth defects or other reproductive harm.

**Makita Corporation**

3-11-8, Sumiyoshi-cho,  
Anjo, Aichi 446, Japan