

RYOBI®

EAG2000RS

ORIGINAL INSTRUCTIONS

TRADUCTION DES INSTRUCTIONS ORIGINALES

ÜBERSETZUNG DER ORIGINALANLEITUNG

TRADUCCIÓN DE LAS INSTRUCCIONES ORIGINALES

TRADUZIONE DELLE ISTRUZIONI ORIGINALI

VERTALING VAN DE ORIGINELE INSTRUCTIES

TRADUÇÃO DAS INSTRUÇÕES ORIGINAIS

ÖVERSÆTTELSE AF DE ORIGINALE INSTRUKTIONER

ÖVERSÄTTNING AV DE URSPRUNGLIGA INSTRUKTIONERNA

ALKUPERÄISTEN OHJEIDEN SUOMENNOS

OVERSETTELSE AV DE ORIGINALE INSTRUKSJONENE

ИНСТРУКЦИЯ ПО ЭКСПЛУАТАЦИИ

TŁUMACZENIE INSTRUKCJI ORYGINALNEJ

PŘEKLAD ORIGINÁLNÍCH POKYNŮ

AZ EREDETI ÚTMUTATÓ FORDÍTÁSA

TRADUCEREA INSTRUCȚIUNILOR ORIGINALE

TULKOTS NO ORIGINĀLĀS INSTRUKCIJAS

ORIGINALIŲ INSTRUKCIJŲ VERTIMAS

ORIGINAALJUHENDI TÖLGE

PRIJEVOD ORIGINALNIH UPUTA

PREVOD ORIGINALNIH NAVODIL

PŘEKLAD ORIGINÁLNÝCH POKYNOV

ΜΕΤΑΦΡΑΣΗ ΤΩΝ ΠΡΩΤΟΤΥΠΩΝ ΟΔΗΓΙΩΝ

ORIJINAL TALIMATLARIN TERCÜMESİ

EN

FR

DE

ES

IT

NL

PT

DA

SV

FI

NO

RU

PL

CS

HU

RO

LV

LT

ET

HR

SL

SK

EL

TR





Important!	It is essential that you read the instructions in this manual before operating this machine.
Attention!	Il est indispensable que vous lisiez les instructions contenues dans ce manuel avant la mise en service de l'appareil.
Achtung!	Bitte lesen Sie unbedingt vor Inbetriebnahme die Hinweise dieser Bedienungsanleitung.
¡Atención!	Es imprescindible que lea las instrucciones de este manual antes de la puesta en servicio.
Attenzione!	Prima di procedere alla messa in funzione, è indispensabile leggere attentamente le istruzioni contenute nel manuale.
Let op!	Het is van essentieel belang dat u de instructies in deze gebruiksaanwijzing goed leest voordat u de machine gaat gebruiken.
Atenção!	É indispensável que leia as instruções deste manual antes de utilizar a máquina.
OBŚ!	Denne brugervejledning skal gennemlæses inden maskinen tages i brug.
Observera!	Det är nödvändigt att läsa instruktionerna i denna bruksanvisning innan användning.
Huomio!	On ehdottoman välttämätöntä lukea tässä käyttöohjeessa annetut ohjeet ennen käyttöönottoa.
Advarsel!	Det er meget vigtigt at du leser denne brukerveiledningen før du tar maskinen i bruk.
Внимание!	Перед сборкой и запуском инструмента необходимо ознакомиться с инструкцией по эксплуатации.
Uwaga!	Przed przystąpieniem do użytkowania tego urządzenia, należy koniecznie zapoznać się z zaleceniami zawartymi w niniejszym podręczniku.
Důležitě upozornění!	Nepoužívejte tento přístroj dříve, než si přečtete pokyny uvedené v tomto návodu.
Figyelem!	Feltétlenül fontos, hogy a jelen használati útmutatóban foglalt előírásokat az üzembe helyezés előtt elolvassa!
Atenție!	Este esențial să citiți instrucțiunile din acest manual înainte de operarea acestui aparat.
Uzmanību!	Svarīgi, lai jūs pirms mašīnas darbināšanas izlasītu instrukcijas šajā rokasgrāmatā.
Dėmesio!	Prieš pradėdami eksploatuoti šį prietaisą, svarbu, kad perskaitytumėte šiose instrukcijose pateiktus nurodymus.
Tähtis!	Enne trelli kasutamise hakkamist tuleb käesolevas juhendis esitatud juhised kindlasti läbi lugeda.
Upozorenje!	Neophodno je da pročitate ove upute prije uporabe ovog uređaja.
Pomembno!	Pred uporabo tega stroja, obvezno preberite navodila iz tega priročnika.
Dôležité!	Pre prácu s týmto zariadením je dôležité, aby ste si prečítali pokyny v tomto návode.
Προσοχή!	Είναι απαραίτητο να διαβάσετε τις συστάσεις των οδηγιών αυτών πριν και τη θέση σε λειτουργία.
Dikkat!	Cihazın çalıştırılmasından önce bu kılavuzda bulunan talimatları okumanız zorunludur.

Subject to technical modifications / Sous réserve de modifications techniques / Technische Änderungen vorbehalten /
Sujeto a modificaciones técnicas / Con riserva di eventuali modifiche tecniche / Technische wijzigingen voorbehouden /
Com reserva de modificações técnicas / Med forbehold for tekniske ændringer / Med förbehåll för tekniska ändringar /
Tekniset muutokset varataan / Med forbehold om tekniske ændringer / Могут быть внесены технические изменения /
Z zastrzeżeniem modyfikacji technicznych / Změny technických údajů vyhrazeny / A műszaki módosítás jogát fenntartjuk /
Sub rezerva modificațiilor tehnice / Paturam tiesības mainīt tehniskos raksturlielumus / Pasliiekant teisę daryti techninius pakeitimus /
Tehnilised muudatused võimalikud / Podložno tehničkim promjenama / Tehnične spremembe dopuščene /
Právo na technické zmeny je vyhradené / Υπό την επιφύλαξη τεχνικών τροποποιήσεων / Teknik değişiklik hakkı saklıdır



**⚠ WARNING**

Read all safety warnings and all instructions. Failure to follow the warnings and instructions may result in electric shock, fire and/or serious injury.

Save all warnings and instructions for future reference.

ANGLE GRINDER SAFETY WARNINGS**SAFETY WARNINGS COMMON FOR GRINDING OPERATIONS:**

- a) **This power tool is intended to function as a grinder tool. Read all safety warnings, instructions, illustrations and specifications provided with this power tool.** Failure to follow all instructions listed below may result in electric shock, fire and/or serious injury.
- b) **Operations such as sanding, wire brushing, polishing or cutting-off are not recommended to be performed with this power tool.** Operations for which the power tool was not designed may create a hazard and cause personal injury.
- c) **Do not use accessories which are not specifically designed and recommended by the tool manufacturer.** Just because the accessory can be attached to your power tool does not assure safe operation.
- d) **The rated speed of the accessory must be at least equal to the maximum speed marked on the power tool.** Accessories running faster than their rated speed can break and fly apart.
- e) **The outside diameter and the thickness of your accessory must be within the capacity rating of your power tool.** Incorrectly sized accessories cannot be adequately guarded or controlled.
- f) **Threaded mounting of accessories must match the grinder spindle thread. For accessories mounted by flanges, the arbour hole of the accessory must fit the locating diameter of the flange.** Accessories that do not match the mounting hardware of the power tool will run out of balance, vibrate excessively and may cause loss of control.
- g) **Do not use a damaged accessory. Before each use inspect the accessory such as abrasive wheels for chips and cracks, backing pad for cracks, tear or excess wear, wire brush for loose or cracked wires. If power tool or accessory is dropped, inspect for damage or install an undamaged accessory. After inspecting and installing an accessory, position yourself and bystanders away from the plane of the rotating accessory and run the power tool at maximum no-load speed for one minute.** Damaged accessories will normally break apart during this test time.
- h) **Wear personal protective equipment. Depending on application, use face shield, safety goggles or safety glasses. As appropriate, wear dust mask, hearing protectors, gloves and workshop apron capable of stopping small abrasive or workpiece**

fragments. The eye protection must be capable of stopping flying debris generated by various operations. The dust mask or respirator must be capable of filtering particles generated by your operation. Prolonged exposure to high intensity noise may cause hearing loss.

- i) **Keep bystanders a safe distance away from work area. Anyone entering the work area must wear personal protective equipment.** Fragments of workpiece or of a broken accessory may fly away and cause injury beyond immediate area of operation.
- j) **Hold the power tool by insulated gripping surfaces only, when performing an operation where the cutting accessory may contact hidden wiring or its own cord.** Cutting accessory contacting a "live" wire may make exposed metal parts of the power tool "live" and could give the operator an electric shock.
- k) **Position the cord clear of the spinning accessory.** If you lose control, the cord may be cut or snagged and your hand or arm may be pulled into the spinning accessory.
- l) **Never lay the power tool down until the accessory has come to a complete stop.** The spinning accessory may grab the surface and pull the power tool out of your control.
- m) **Do not run the power tool while carrying it at your side.** Accidental contact with the spinning accessory could snag your clothing, pulling the accessory into your body.
- n) **Regularly clean the power tool's air vents.** The motor's fan will draw the dust inside the housing and excessive accumulation of powdered metal may cause electrical hazards.
- o) **Do not operate the power tool near flammable materials.** Sparks could ignite these materials.
- p) **Do not use accessories that require liquid coolants.** Using water or other liquid coolants may result in electrocution or shock.

FURTHER SAFETY INSTRUCTIONS FOR ALL OPERATIONS**Kickback and related warnings**

Kickback is a sudden reaction to a pinched or snagged rotating wheel, backing pad, brush or any other accessory. Pinching or snagging causes rapid stalling of the rotating accessory, which in turn causes the uncontrolled power tool to be forced in the direction opposite of the accessory's rotation at the point of the binding.

For example, if an abrasive wheel is snagged or pinched by the workpiece, the edge of the wheel that is entering into the pinch point can dig into the surface of the material causing the wheel to climb out or kick out. The wheel may either jump toward or away from the operator, depending on the direction of the wheel's movement at the point of pinching. Abrasive wheels may also break under these conditions.

Kickback is the result of power tool misuse and/or incorrect operating procedures or conditions and can be avoided by



taking proper precautions as given below.

- a) **Maintain a firm grip on the power tool and position your body and arm to allow you to resist kickback forces.** Always use auxiliary handle, if provided, for maximum control over kickback or torque reaction during start-up. The operator can control torque reactions or kickback forces, if proper precautions are taken.
- b) **Never place your hand near the rotating accessory.** Accessory may kickback over your hand.
- c) **Do not position your body in the area where power tool will move if kickback occurs.** Kickback will propel the tool in direction opposite to the wheel's movement at the point of snagging.
- d) **Use special care when working corners, sharp edges, etc. Avoid bouncing and snagging the accessory.** Corners, sharp edges or bouncing have a tendency to snag the rotating accessory and cause loss of control or kickback.
- e) **Do not attach a saw chain woodcarving blade or toothed saw blade.** Such blades create frequent kickback and loss of control.

ADDITIONAL SAFETY INSTRUCTIONS FOR GRINDING OPERATIONS

SAFETY WARNINGS SPECIFIC FOR GRINDING OPERATIONS:

- a) **Use only wheel types that are recommended for your power tool and the specific guard designed for the selected wheel.** Wheels for which the power tool was not designed cannot be adequately guarded and are unsafe.
- b) **The grinding surface of centre depressed wheels must be mounted below the plane of the guard lip.** An improperly mounted wheel that projects through the plane of the guard lip cannot be adequately protected.
- c) **The guard must be securely attached to the power tool and positioned for maximum safety, so the least amount of wheel is exposed towards the operator.** The guard helps to protect the operator from broken wheel fragments, accidental contact with wheel and sparks that could ignite clothing.
- d) **Wheels must be used only for recommended applications. For example, do not grind with the side of cut-off wheel.** Abrasive cut-off wheels are intended for peripheral grinding, side forces applied to these wheels may cause them to shatter.
- e) **Always use undamaged wheel flanges that are of correct size and shape for your selected wheel.** Proper wheel flanges support the wheel, thus reducing the possibility of wheel breakage. Flanges for cut-off wheels may be different from grinding wheel flanges.
- f) **Do not use worn down wheels from larger power tools.** Wheels intended for a larger power tool are not suitable for the higher speed of a smaller tool and may burst.

ANGLE GRINDER SAFETY WARNINGS

- a) Check that the speed marked on the grinding wheel is equal to or greater than the rated speed of the tool.
- b) Ensure that the dimensions of the grinding wheel are compatible with the tool and that the wheel fits the spindle.
- c) Grinding wheels must be stored in a dry place.
- d) Do not store objects on top of the grinding wheels.
- e) Grinding wheels must not be used for any operation other than grinding.
- f) Grinding wheels must be stored and handled with care in accordance with the manufacturer's instruction.
- g) Inspect the grinding wheel before use to ensure that it is not chipped or cracked. Chips or cracks can cause the wheels to shatter, resulting in possible serious injury.
- h) Ensure that the wheel is fitted in accordance with this manual.
- i) Ensure that the grinding wheel is correctly mounted and tightened before use and run the tool at no-load speed for 30 seconds in a safe position. Stop immediately if there is considerable vibration or if other defects are detected. If this condition occurs, check the tool to determine the cause.
- j) Do not use separate reducing bushings or adapters to adapt large hole grinding wheels.
- k) Check that the workpiece is properly supported.
- l) Use only grinding wheels approved by RYOBI.
- m) Ensure that sparks resulting from use do not create a hazard, e.g., do not hit people, or ignite flammable substances.
- n) Always use protective safety glasses and ear protectors.
- o) Use other personal protective equipment such as gloves, apron and helmet when necessary.
- p) Never place the tool on the floor or other surfaces while it is running. Grinding wheels continue to rotate after the tool is switched off. Never touch the wheel or place it on the floor or other surfaces while it is rotating.
- q) The flange and clamp nut must have the same outer diameter.
- r) Use the tool only for approved applications. Never use coolants or water or use the tool as a fixed tool.
- s) Grip the tool securely with both hands while operating.

INTENDED USE

Grinding metals

Use the tool only for approved applications. Use of the power tool for operations different from intended could result in a hazardous situation.



EN
FR
DE
ES
IT
NL
PT
DA
SV
FI
NO
RU
PL
CS
HU
RO
LV
LT
ET
HR
SL
SK
EL
TR

MAINTENANCE

⚠ WARNING

Do not make any adjustments while the motor is in motion.

Always disconnect the power cord from the socket before changing removable or expendable parts, before lubricating or working on the unit.

- After use, check the tool to make sure that it is in good condition.
- It is recommended that you take this tool to a Ryobi Authorized Service Center for a thorough cleaning and lubrication at least once a year.
- If the power supply cord is damaged, it must be replaced only by the manufacturer or by an authorized service center to avoid risk. Contact authorized service center.

⚠ WARNING

To ensure safety and reliability, all repairs should be performed by an authorised service center or other qualified service organisation.

ENVIRONMENTAL PROTECTION



Recycle raw materials instead of disposing of as waste. The machine, accessories and packaging should be sorted for environmental-friendly recycling.

SYMBOLS

- Safety Alert
- Class II tool, double insulation
- Please read the instructions carefully before starting the product.
- Wear ear protection
- Wear eye protection
- Wear dust mask.
- Do not use chipped, cracked or defective grinding wheel



Not for wet grinding. Using water or other liquid coolants may result in electrocution or shock.



Wear safety hand gloves



EurAsian Conformity Mark.



CE Conformity



Waste electrical products should not be disposed of with household waste. Please recycle where facilities exist. Check with your local authority or retailer for recycling advice.

**⚠ WARNING**

Lisez attentivement tous les avertissements et toutes les instructions. Le non-respect des instructions présentées ci-après peut entraîner des accidents tels que des incendies, des chocs électriques et/ou des blessures corporelles graves.

Conservez ces avertissements et instructions pour pouvoir vous y reporter ultérieurement.

AVERTISSEMENTS DE SÉCURITÉ MEULEUSE D'ANGLE**CONSIGNES DE SÉCURITÉ POUR MEULEUSES:**

- a) **Cet outil est conçu pour être utilisé comme meuleuse. Lisez attentivement l'ensemble des avertissements, instructions et spécifications fournis avec cet outil, et reportez-vous aux illustrations.** Le non-respect des instructions présentées ci-après peut entraîner des accidents tels que des incendies, des chocs électriques et/ou des blessures corporelles graves.
- b) **Il n'est pas recommandé d'effectuer des opérations telles que le ponçage, le décapage à la brosse métallique, le polissage et la découpe avec cet outil électrique.** Le non-respect de cette consigne peut entraîner des accidents et des blessures corporelles graves.
- c) **N'utilisez pas des accessoires qui ne sont pas spécifiquement conçus pour cet outil et qui ne sont pas recommandés par le fabricant.** Même si un accessoire peut être monté sur un outil, cela ne garantit pas que vous pourrez utiliser cet outil en toute sécurité.
- d) **La vitesse nominale de l'accessoire doit être égale ou supérieure à la vitesse maximale indiquée sur l'outil.** Les accessoires fonctionnant à une vitesse supérieure à leur vitesse nominale peuvent se casser et être éjectés.
- e) **Le diamètre extérieur et l'épaisseur de l'accessoire doivent correspondre aux caractéristiques spécifiées pour l'outil.** Si les accessoires ne correspondent pas aux caractéristiques données, les systèmes de protection et de réglage de l'outil ne pourront pas fonctionner correctement.
- f) **La fixation filetée des accessoires doit correspondre au filetage de la broche de la meuleuse. Le trou de montage des accessoires se montant par appui sur l'épaulement de la broche de la meuleuse doit avoir un diamètre correspondant à l'épaulement.** Les accessoires aux dimensions ne correspondant pas aux éléments de fixation de l'outil électrique entraîneront un balourd, source de vibrations excessives et de perte de contrôle.
- g) **N'utilisez pas un accessoire endommagé. Avant chaque utilisation, vérifiez que l'accessoire que vous utilisez est en bon état: assurez-vous que les disques abrasifs ne sont pas ébréchés ou fissurés,**

que les patins ne sont pas déchirés ou usés, que les poils des brosses métalliques ne sont pas trop usés ou cassés. En cas de chute de l'outil ou d'un accessoire, vérifiez l'absence de dommages et remettez un accessoire en bon état en place au besoin. En cas de chute de l'outil ou de l'accessoire, vérifiez qu'aucun élément n'est endommagé et, si besoin, installez un accessoire neuf. Si l'accessoire est endommagé, il se cassera pendant ce test.

- h) **Porter des équipements de protection individuelle. Selon l'utilisation que vous faites de votre outil, portez un masque de protection, des lunettes de sécurité ou des lunettes de protection. Selon l'utilisation que vous faites de votre outil, portez un masque de protection, des lunettes de sécurité ou des lunettes de protection.** Si besoin, portez un masque anti-poussière, des protections auditives, des gants et un tablier de protection afin de vous protéger de toute projection de corps étrangers (éléments abrasifs, copeaux de bois, etc.). Les masques anti-poussière permettent de filtrer les particules générées par l'opération que vous menez. Les masques anti-poussière permettent de filtrer les particules générées par l'opération que vous menez.
- i) **Maintenez les visiteurs à bonne distance de la zone de travail. Maintenez les visiteurs à bonne distance de la zone de travail et veillez à ce qu'ils portent un équipement de protection.** Des fragments de pièce à usiner ou d'un accessoire cassé peuvent être projetés au-delà de la zone de travail et causer des blessures corporelles graves.
- j) **Ne tenez l'outil que par les parties isolées et antidérapantes lorsque vous travaillez sur une surface pouvant cacher des fils électriques ou lorsque le travail requis est susceptible de placer le cordon d'alimentation sur la trajectoire de l'outil.** Un accessoire de coupe qui entre en contact avec un câble «sous tension» est susceptible de véhiculer le courant électrique vers les parties métalliques de l'outil et de provoquer un choc électrique à l'opérateur.
- k) **Positionnez le cordon d'alimentation de façon à ce qu'il soit à distance de l'accessoire en rotation.** Si vous perdez le contrôle de votre outil, le cordon d'alimentation pourrait être coupé ou se coincer et votre main ou votre bras pourrait être entraîné vers l'accessoire en rotation.
- l) **Ne posez jamais votre outil avant que l'accessoire ne soit complètement arrêté.** L'accessoire en rotation pourrait entrer en contact avec la surface sur laquelle il est posé et vous faire perdre le contrôle de l'outil.
- m) **Ne faites pas fonctionner votre outil lorsque vous le transportez.** L'accessoire en rotation pourrait se prendre dans vos vêtements et vous blesser gravement.
- n) **Nettoyez régulièrement les fentes de ventilation de l'outil.** La ventilation du moteur fait pénétrer les poussières à l'intérieur du carter moteur, ce qui peut générer une accumulation excessive de particules métalliques et provoquer des chocs électriques.
- o) **N'utilisez pas votre outil à proximité de produits**



inflammables. Des étincelles risqueraient de les enflammer.

- p) **N'utilisez pas d'accessoires nécessitant des fluides de refroidissement.** L'utilisation d'eau ou de liquides de refroidissement peut causer des électrocutions ou des chocs électriques.

CONSIGNES DE SÉCURITÉ SUPPLÉMENTAIRES POUR TOUTES LES OPÉRATIONS

Avertissements relatifs au rebond et autres risques associés

Le rebond est une réaction soudaine qui a lieu lorsque la meule en mouvement, le patin, la brosse ou tout autre accessoire se pince ou se tord, ce qui entraîne le blocage rapide de l'accessoire. L'outil, qui continue à fonctionner, est alors projeté dans la direction opposée au sens d'utilisation de l'accessoire.

Par exemple, si un disque abrasif se coince ou se tord dans la pièce à usiner, le bord du disque qui se fait coincer peut se faire entrainer dans le matériau et provoquer un rebond vers le haut ou vers l'arrière. En cas de rebond, le disque abrasif peut également se casser. Le rebond est donc le résultat d'une mauvaise utilisation de l'outil et/ou de procédures ou de conditions d'utilisation incorrectes

Le rebond est donc le résultat d'une mauvaise utilisation de l'outil et / ou de procédures ou de conditions d'utilisation incorrectes. Il peut être évité en veillant à respecter quelques précautions:

- Maintenez fermement l'outil et positionnez votre corps et votre bras de façon à pouvoir contrôler un éventuel rebond.** Si l'outil dispose d'une poignée auxiliaire, veillez à toujours la tenir pour avoir un contrôle optimal de l'outil en cas de rebond ou de couple de réaction lors de la mise en marche de l'outil. Prenez les mesures nécessaires afin de pouvoir contrôler votre outil en cas de rebond ou de couple de réaction.
- Ne placez jamais votre main à proximité de l'accessoire en rotation afin d'éviter tout risque de blessures corporelles graves en cas de rebond.** Accessoire risqué de rebondir sur votre main.
- Ne vous placez pas dans la zone où l'outil risque d'être projeté en cas de rebond.** En cas de rebond, l'outil est projeté dans la direction opposée au sens de rotation du disque.
- Faites particulièrement attention lorsque vous travaillez sur des angles, des bords tranchants, etc. Évitez de faire déraiper ou de coincer l'accessoire.** Lorsque vous travaillez sur des angles ou des bords tranchants ou lorsque vous faites déraiper l'outil, le risque est plus élevé de bloquer l'accessoire, et donc de perdre le contrôle de l'outil et provoquer un rebond.
- N'utilisez jamais de lame de tronçonneuse à bois ou de lame de scie avec cet outil.** De telles lames augmentent le risque de rebond et de perte de contrôle de l'outil.

AVERTISSEMENTS DE SÉCURITÉ ADDITIONNELS POUR LES OPÉRATIONS DE MEULAGE

AVERTISSEMENTS DE SÉCURITÉ PARTICULIERS POUR LES OPÉRATIONS DE MEULAGE:

- N'utilisez que des types de meule recommandés pour votre outil électrique ainsi que la protection spécifique à la meule utilisée.** Les disques pour lesquels l'outil électrique n'a pas été prévu ne peuvent pas être protégés de façon adéquate et présentent un danger.
- Les disques ayant un renforcement central doivent être montés de façon que leur surface de meulage se trouve sous le plan du carter de protection.** Un disque monté de façon inadéquate qui dépasse du plan du carter de protection n'est pas protégé de façon correcte.
- La protection doit être bien fixée sur l'outil électrique et positionnée de façon à offrir la meilleure sécurité, afin que la plus petite partie possible de la meule soit dirigée vers l'opérateur.** Le carter de protection aide à protéger l'opérateur des fragments cassés du disque et des contacts accidentels avec le disque ainsi que des étincelles susceptible de mettre le feu aux vêtements.
- Les meules ne doivent être utilisées que dans leur domaine d'application recommandé. Par exemple, n'utilisez pas le flanc d'un disque à tronçonner pour meuler.** Les disques à tronçonner sont conçus pour meuler sur leur périphérie, ils sont susceptibles de se briser si l'on y applique une force latérale.
- Assurez-vous de toujours utiliser des supports de disques en bon état et dont la taille et la forme sont adaptées au disque à utiliser.** Un support de disque adapté maintient le flanc du disque et réduit le risque de bris. Les supports des disques à découper peuvent être différents des supports pour meules.
- N'utilisez pas de disques usés en provenance d'outils plus puissants.** Les disques destinés à un outil plus important ne sont pas adaptés à la vitesse de rotation supérieure d'un petit outil et sont susceptibles d'éclater.

AVERTISSEMENTS DE SÉCURITÉ DE LA MEULEUSE D'ANGLE

- Vérifiez que la vitesse indiquée sur la meule à ébarber est égale ou supérieure à la vitesse nominale de l'outil.
- Assurez-vous que le diamètre de la meule à ébarber est compatible avec l'outil et que la meule s'insère correctement sur l'arbre.
- Les meules à ébarber doivent être rangées dans un endroit sec.
- Ne placez aucun objet sur les meules.
- Les meules ne doivent pas être utilisées à d'autres fins que des opérations de meulage.
- Les meules doivent être rangées et manipulées avec



précaution, conformément aux instructions du fabricant.

- g) Avant d'utiliser la meule, assurez-vous qu'elle n'est pas ébréchée ou fissurée. Si tel est le cas, la meule peut se briser, ce qui peut entraîner des blessures corporelles graves.
- h) Assurez-vous que la meule est montée conformément aux instructions du présent manuel.
- i) Assurez-vous avant utilisation que la meule est correctement montée et serrée, puis faites tourner votre outil à vide pendant 30 secondes en l'orientant de telle sorte qu'il ne présente aucun danger. Arrêtez votre outil immédiatement s'il vibre excessivement ou si vous remarquez d'autres problèmes. Dans cette éventualité, contrôlez votre outil pour déterminer la cause du problème.
- j) N'utilisez pas de bagues de réduction ou d'entretoises pour réduire l'alésage de meules à grand alésage.
- k) Vérifiez que la pièce à usiner est correctement maintenue.
- l) Utilisez uniquement des meules recommandées par RYOBI.
- m) Assurez-vous que les étincelles produites par l'utilisation de l'outil ne créent pas de situation dangereuse, par exemple qu'elles ne sont pas projetées sur des personnes ou des substances inflammables.
- n) Veillez à toujours porter des lunettes de protection et des protections auditives.
- o) Si nécessaire, utilisez d'autres équipements de protection tels que des gants, un tablier ou un casque.
- p) Ne posez jamais votre outil sur le sol ou sur d'autres surfaces lorsqu'il est en marche. Attention, la meule tourne par inertie après l'arrêt de l'outil. Vous ne devez jamais ni toucher la meule, ni la poser sur le sol ou d'autres surfaces lorsqu'elle est en rotation.
- q) Le flasque de la meule et le flasque extérieur doivent avoir le même diamètre extérieur.
- r) N'utilisez votre outil que pour les applications pour lesquelles il a été conçu. N'utilisez jamais de fluide de refroidissement ou d'eau. N'utilisez pas votre outil comme un outil fixe.
- s) Lorsque vous utilisez votre outil, tenez-le fermement avec les deux mains.

UTILISATION PRÉVUE

Meulage métaux

N'utilisez votre outil que pour les applications pour lesquelles il a été conçu. L'utilisation détournée d'un outil électrique entraîne des situations dangereuses.

TÉMOIN DE MISE SOUS TENSION

Cet outil est équipé d'un témoin d'alimentation qui s'allume lorsque l'outil est branché sur le secteur. Ceci attire votre attention sur le fait que l'outil est sous tension et qu'il se mettra en marche si vous en enfoncez l'interrupteur.

ENTRETIEN

⚠ AVERTISSEMENT

N'effectuez aucun réglage lorsque le moteur est en marche.

Débranchez toujours le câble d'alimentation de la prise avant de changer des accessoires ou des extensions, de lubrifier l'appareil ou d'intervenir dessus.

- Après utilisation, assurez-vous que votre outil est en bon état de marche.
- Nous vous recommandons d'apporter votre outil au moins une fois par an dans un Centre Service Agréé Ryobi pour une lubrification et un nettoyage complets.
- Si le câble d'alimentation est endommagé, il ne doit être remplacé que par le fabricant ou par un service après-vente agréé, pour éviter tout danger. Contactez un service après-vente agréé.

⚠ AVERTISSEMENT

Pour plus de sécurité et de fiabilité, toutes les réparations doivent être effectuées par un Centre Service Agréé Ryobi.

PROTECTION DE L'ENVIRONNEMENT



Recyclez les matières premières au lieu de les jeter avec les ordures ménagères. Pour protéger l'environnement, l'outil, les accessoires et les emballages doivent être triés.

SYMBOLES



Alerte de Sécurité



Équipement à isolation de Classe II, double isolation



Veillez lire attentivement les instructions avant de mettre l'appareil en marche.



Portez une protection auditive



Portez une protection oculaire



Portez un masque anti poussières.



N'utilisez pas de meule ébréchée, fendue ou défectueuse



Meulage à l'eau non-autorisé. L'utilisation d'eau ou de liquides de refroidissement peut causer des électrocutions ou des chocs électriques.



Portez des gants de sécurité



Marque de qualité EurAsian



Conformité CE



Les produits électriques hors d'usage ne doivent pas être jetés avec les ordures ménagères. Recyclez-les par l'intermédiaire des structures disponibles. Contactez les autorités locales pour vous renseigner sur les conditions de recyclage.

**⚠ WARNUNG**

Lesen Sie alle Sicherheitshinweise und Anweisungen aufmerksam durch. Die Missachtung der nachfolgenden Anweisungen kann zu Unfällen wie Bränden, elektrischen Schlägen und/oder schweren Verletzungen führen.

Bewahren Sie diese Sicherheitshinweise und Anweisungen für einen späteren Gebrauch gut auf.

WINKELSCHLEIFER SICHERHEITSWARNUNGEN**SICHERHEITSVORSCHRIFTEN FÜR WINKELSCHLEIFER:**

- a) Dieses Elektrowerkzeug ist zu verwenden als Schleifer. Beachten Sie alle Sicherheitshinweise, Anweisungen, Darstellungen und Daten, die Sie mit dem Gerät erhalten. Wenn Sie die folgenden Anweisungen nicht beachten, kann es zu elektrischem Schlag, Feuer und/oder schweren Verletzungen kommen.
- b) Dieses Elektrowerkzeug ist nicht geeignet zum Sandpapierschleifen, Arbeiten mit Drahtbürsten, Polieren und Trennschleifen. Verwendungen, für die das Elektrowerkzeug nicht vorgesehen ist, können Gefährdungen und Verletzungen verursachen.
- c) Benutzen Sie kein Zubehör, das nicht speziell für dieses Werkzeug konzipiert worden ist und das nicht vom Hersteller empfohlen wird. Selbst wenn es möglich ist, ein Zubehörteil auf ein Werkzeug zu montieren, ist dies keine Garantie dafür, dass dieses Gerät in aller Sicherheit benutzt werden kann.
- d) Die zulässige Drehzahl des Einsatzwerkzeugs muss mindestens so hoch sein wie die auf dem Elektrowerkzeug angegebene Höchstdrehzahl. Zubehör, das sich schneller als zulässig dreht, kann zerbrechen und umherfliegen.
- e) Der Außendurchmesser und die Dicke des Zubehörteils müssen den spezifischen Eigenschaften des Elektrowerkzeugs entsprechen. Wenn die Zubehörteile nicht den angegebenen Eigenschaften entsprechen, können die Schutz- und Einstellsysteme des Werkzeuges nicht korrekt funktionieren.
- f) Die Gewindefestigung von Zubehörteilen muss zu dem Spindelgewinde des Winkelschleifers passen. Für Zubehör das mit Flanschen befestigt wird, muss der Lochdurchmesser des Zubehörteils für den Aufnahmedurchmesser der Flansche geeignet sein. Zubehörteile die nicht an das Gerät passen, drehen sich mit Unwucht, vibrieren übermäßig und können zu Kontrollverlust führen.
- g) Verwenden Sie keine beschädigten Einsatzwerkzeuge. Kontrollieren Sie vor jeder Verwendung Einsatzwerkzeuge wie Schleifscheiben auf Abspalterungen und Risse, Schleifteller auf Risse, Verschleiß oder starke Abnutzung, Drahtbürsten auflöse oder gebrochene Drähte. Wenn das Elektrowerkzeug oder das Einsatzwerkzeug

herunterfällt, überprüfen Sie, ob es beschädigt ist, oder verwenden Sie ein unbeschädigtes Einsatzwerkzeug. Wenn Sie das Einsatzwerkzeug kontrolliert und eingesetzt haben, halten Sie und in der Nähe befindliche Personen sich außerhalb der Ebene des rotierenden Einsatzwerkzeugs auf und lassen Sie das Elektrowerkzeug eine Minute lang mit Höchstdrehzahl laufen. Beschädigte Einsatzwerkzeuge brechen meist in dieser Testzeit.

- h) Persönliche Schutzausrüstung tragen. Tragen Sie je nach Verwendungsart Ihres Werkzeuges Vollgesichtsschutz, Augenschutz, oder Schutzbrille. Tragen Sie bei Bedarf eine Staubschutzmaske, einen Gehörschutz, Handschuhe und eine Schutzschürze, um sich gegen fliegende Fremdkörper (Schleif- und Materialpartikel, usw.) zu schützen. Die Schutzbrille soll die Augen vor Verletzung durch fliegende Teilchen schützen. Staubschutzmasken dienen dazu, die bei der durchgeführten Arbeit erzeugten Partikel zu filtern. Anhaltender, starker Lärm kann zu Gehörverlust führen.
- i) Bitten Sie Besucher darum, sich in gebührendem Abstand vom Arbeitsbereich aufzuhalten und Schutzkleidung zu tragen. Jeder, der den Arbeitsbereich betritt muss eine persönliche Schutzausrüstung tragen. Splitter des zu bearbeitenden Teils oder zerbrochenes Zubehör können bis außerhalb des Arbeitsbereiches geschleudert werden und schwere Verletzungen verursachen.
- j) Halten Sie das Elektrowerkzeug nur an den isolierten Griffflächen, wenn Sie Arbeiten ausführen, bei denen das Einsatzwerkzeug verborgene Stromleitungen oder das eigene Netzkabel treffen kann. Bei einem Kontakt mit einem unter Spannung stehenden Kabel kann der Strom an die Metallteile geleitet werden, und dies kann zu einem elektrischen Schlag führen.
- k) Halten Sie das Stromkabel weit genug vom sich drehenden Zubehörteil entfernt. Falls Sie die Kontrolle über Ihr Werkzeug verlieren, könnte das Stromkabel durchtrennt oder erfasst werden und Ihre Hand oder Ihr Arm in das sich drehende Einsatzwerkzeug geraten.
- l) Legen Sie Ihr Werkzeug nie ab, bevor das Zubehörteil vollständig zum Stillstand gekommen ist. Das drehende Zubehörteil könnte mit der Oberfläche, auf der es abgelegt wurde, in Kontakt kommen und es besteht die Gefahr, dass Sie die Kontrolle über das Werkzeug verlieren.
- m) Lassen Sie Ihr Werkzeug nicht eingeschaltet, während Sie es transportieren. Das sich drehende Zubehörteil könnte sich in Ihren Kleidern verfangen und Sie schwer verletzen.
- n) Säubern Sie regelmäßig die Lüftungsspalten des Werkzeugs. Die Motorlüftung lässt Staub ins Motorgehäuseinnere eindringen, dies kann zur Ansammlung von Metallpartikeln führen und Elektroschocks auslösen.
- o) Benutzen Sie Ihr Werkzeug nicht in der Nähe



leicht entflammbarer Produkte. Funken könnten sie entflammen.

- p) **Benutzen Sie kein Zubehör, das Kühlwasser benötigt.** Die Benutzung von Wasser oder Kühlfüssigkeiten kann elektrische Schläge oder Elektroschocks verursachen.

WEITERE SICHERHEITSHINWEISE FÜR ALLE TÄTIGKEITEN

Rückschlag und entsprechende Sicherheitshinweise

Rückschlag ist die plötzliche Reaktion infolge eines hakenden oder blockierten drehenden Einsatzwerkzeugs, wie Schleifscheibe, Schleifteller, Drahtbürste usw. Verhaken oder Blockieren führt zu einem abrupten Stopp des rotierenden Einsatzwerkzeugs. Dadurch wird ein unkontrolliertes Elektrowerkzeug gegen die Drehrichtung des Einsatzwerkzeugs an der Blockierstelle beschleunigt. Wenn z. B. eine Schleifscheibe im Werkstück hakt oder blockiert, kann sich die Kante der Schleifscheibe, die in das Werkstück eintaucht, verfangen und dadurch die Schleifscheibe ausbrechen oder einen Rückschlag verursachen. Die Schleifscheibe bewegt sich dann auf die Bedienperson zu oder von ihr weg, je nach Drehrichtung der Scheibe an der Blockierstelle. Hierbei können Schleifscheiben auch brechen.

Ein Rückschlag ist die Folge eines falschen oder fehlerhaften Gebrauchs des Elektrowerkzeugs. Er kann durch geeignete Vorsichtsmaßnahmen, wie nachfolgend beschrieben, verhindert werden.

- Halten Sie das Elektrowerkzeug gut fest und bringen Sie Ihren Körper und Ihre Arme in eine Position, in der Sie die Rückschlagkräfte abfangen können. Verwenden Sie immer den Zusatzgriff, falls vorhanden, um die größtmögliche Kontrolle über Rückschlagkräfte und Reaktionsmomente beim Hochlauf zu haben.** Die Bedienperson kann durch geeignete Vorsichtsmaßnahmen die Rückschlag- und Reaktionskräfte beherrschen.
- Bringen Sie Ihre Hand niemals in die Nähe des drehenden Zubehörs, dies kann im Falle eines Rückschlags schwere Körperverletzungen vermeiden.** Zubehör kann über Ihre Hand zurückschlagen.
- Stellen Sie sich nicht in den Bereich, in deren Richtung das Werkzeug im Falle eines Rückschlags geschleudert werden könnte.** Das Werkzeug wird bei einem Rückprall in die entgegen gesetzte Richtung der Scheibendrehung geschleudert.
- Arbeiten Sie besonders vorsichtig im Bereich von Ecken, scharfen Kanten usw. Verhindern Sie, dass Einsatzwerkzeuge vom Werkstück zurückprallen und verkleben.** Das rotierende Einsatzwerkzeug neigt bei Ecken, scharfen Kanten oder wenn es abprallt dazu, sich zu verkleben. Dies verursacht einen Kontrollverlust oder Rückschlag.
- Verwenden Sie kein Ketten- oder gezahntes Sägeblatt.** Solche Einsatzwerkzeuge verursachen häufig einen Rückschlag oder den Verlust der Kontrolle über das Elektrowerkzeug.

ZUSÄTZLICHE SICHERHEITANSWEISUNGEN FÜR SCHLEIFVORGÄNGE

SPEZIELLE SICHERHEITSWARNUNGEN FÜR DEN SCHLEIFBETRIEB:

- Verwenden Sie ausschließlich die für Ihr Elektrowerkzeug zugelassenen Schleifkörper und die für diese Schleifkörper vorgesehene Schutzhaube.** Schleifkörper, die nicht für das Elektrowerkzeug vorgesehen sind, können nicht ausreichend abgeschirmt werden und sind unsicher.
- Gekrüpfte Schleifscheiben müssen so montiert werden, dass ihre Schleiffläche nicht über die Ebene des Schutzhaubenrandes hinausragt.** Eine unsachgemäß montierte Schleifscheibe, die über die Ebene des Schutzhaubenrandes hinausragt, kann nicht ausreichend abgeschirmt werden.
- Die Schutzvorrichtung muss zur Gewährleistung einer optimalen Sicherheit fest angebracht werden und so eingestellt sein, dass der Benutzer dem Schleifkörper so wenig wie möglich ausgesetzt ist.** Die Schutzabdeckung hilft den Benutzer vor Scheibenfragmenten, versehentlicher Berührung mit der Schleifscheibe und Funken die Kleidung entzünden könnten zu schützen.
- Schleifkörper dürfen nur für die empfohlenen Anwendungen verwendet werden. Schleifen Sie zum Beispiel nicht mit der Seitenfläche einer Trennscheibe.** Trennschleifscheiben sind zum Umfangsschleifen vorgesehen, seitlich auf die solche Scheiben wirkende Kräfte können zum Zerbrechen der Scheibe führen.
- Verwenden Sie immer nur unbeschädigte Spannflansche in der richtigen Größe und mit der richtigen Form für die gewünschte Schleifscheibe.** Ein korrekter Spannflansch unterstützt die Schleifscheibe, wodurch das Risiko eines Zerbrechens der Schleifscheibe verringert wird. Flansche für Trennscheiben können sich von denen für Schleifscheiben unterscheiden.
- Verwenden Sie keine abgenutzten Schleifscheiben von größeren Werkzeugen!** Schleifscheiben, die für große Werkzeuge vorgesehen sind, sind für die höhere Geschwindigkeit des kleineren Werkzeugs nicht geeignet und können zerbrechen.

WINKELSCHLEIFER SICHERHEITSWARNUNGEN

- Prüfen Sie, ob die auf der Schleifscheibe angegebene Höchstzahl mindestens der Nennzahl des Geräts entspricht.
- Vergewissern Sie sich, dass der Durchmesser der Schleifscheibe dem Gerät entspricht und dass die Schleifscheibe einwandfrei auf der Welle sitzt.
- Die Schleifscheiben müssen an einem trockenen Ort aufbewahrt werden.
- Stellen Sie kein Objekt auf die Schleifscheiben.
- Die Schleifscheiben dürfen ausschließlich zu Schleifarbeiten verwendet werden.
- Die Schleifscheiben müssen aufgeräumt und vorsichtig gehandhabt werden (entsprechend den Angaben des



Herstellers).

- g) Vergewissern Sie sich vor Verwendung der Schleifscheibe, dass diese keine ausgebrochenen Stellen oder Risse aufweist. Falls dies der Fall ist, kann die Scheibe brechen und dies kann zu schweren Körperverletzungen führen.
- h) Vergewissern Sie sich, dass die Schleifscheibe gemäß den Anweisungen der vorliegenden Bedienungsanleitung montiert ist.
- i) Vergewissern Sie sich vor der Verwendung, dass die Schleifscheibe korrekt montiert und angezogen ist, und lassen Sie Ihr Gerät dann während 30 Sekunden ohne Belastung laufen; halten Sie das Gerät dabei so, dass keine gefährliche Situation auftritt. Halten Sie Ihr Gerät sofort an, wenn es zu stark vibriert oder wenn Sie andere Probleme feststellen. Kontrollieren Sie in diesem Fall Ihr Gerät, um die Ursache des Problems festzustellen.
- j) Verwenden Sie keine Reduzierringe oder Zwischenstücke, um die Bohrung von Schleifscheiben mit zu großer Bohrung zu verkleinern.
- k) Prüfen Sie, ob das zu bearbeitende Werkstück korrekt befestigt ist.
- l) Verwenden Sie nur von RYOBI empfohlene Schleifscheiben.
- m) Vergewissern Sie sich, dass die bei der Verwendung des Geräts erzeugten Funken keine gefährlichen Situationen herbeiführen, wie z. B. dass diese nicht auf Personen oder entzündliche Substanzen spritzen.
- n) Tragen Sie stets eine Schutzbrille und einen Gehörschutz.
- o) Verwenden Sie falls erforderlich andere Schutzausrüstungen, wie z. B. Handschuhe, eine Schürze oder einen Helm.
- p) Stellen Sie Ihr Gerät niemals auf den Boden oder auf andere Flächen, während es in Betrieb ist. Beachten Sie, dass die Schleifscheibe nach dem Ausschalten erst nach einigen Momenten zu einem vollständigen Stillstand kommt. Sie dürfen die Schleifscheibe niemals berühren oder auf den Boden oder andere Flächen stellen, während sie rotiert.
- q) Der Flansch der Schleifscheibe und der äußere Flansch müssen denselben Außendurchmesser haben.
- r) Verwenden Sie Ihr Gerät nur für die Anwendungen, für die es entwickelt wurde. Setzen Sie Ihr Gerät niemals als ein stationäres Gerät ein. Verwenden Sie niemals Kühlfüssigkeit oder Kühlwasser.
- s) Halten Sie Ihr Gerät bei der Verwendung fest mit beiden Händen.

VORGESEHENE VERWENDUNG

Schleifen Metalle

Verwenden Sie Ihr Gerät nur für die Anwendungen, für die es entwickelt wurde. Der Einsatz des Werkzeugs für Arbeiten, für die es nicht vorgesehen ist, kann zu gefährlichen Situationen führen.

WARTUNG UND PFLEGE

⚠️ WARNUNG

Nehmen sie keine einstellung vor, während der motor in betrieb ist.

Ziehen sie stets das Netzkabel aus der Steckdose, bevor sie ein Teil auswechseln, das Gerät schmieren oder an dem gerät arbeiten.

- Vergewissern Sie sich nach der Verwendung, dass Ihr Gerät in einwandfreiem Zustand ist.
- Es empfiehlt sich, Ihr Gerät mindestens einmal pro Jahr zu einem autorisierten Ryobi-Kundendienst zu bringen, um es komplett zu schmieren und zu reinigen.
- Falls das Stromkabel beschädigt sein sollte, darf es, um jegliche Risiken zu vermeiden, ausschließlich durch den Hersteller oder ein autorisiertes Kundendienstzentrum ausgetauscht werden. Kontaktieren Sie Ihren autorisierten Kundendienst

⚠️ WARNUNG

Für eine höhere Sicherheit und Zuverlässigkeit müssen alle Reparaturen von einem autorisierten Ryobi-Kundendienst durchgeführt werden.

UMWELTSCHUTZ



Recyceln Sie die Rohstoffe, anstatt sie im Haushaltsabfall zu entsorgen. Zum Schutz der Umwelt müssen das Gerät, die Zubehörteile und die Verpackungen getrennt entsorgt werden.

SYMBOLS



Sicherheitswarnung



Klasse II Gerät, doppelisolation



Bitte lesen Sie die Anweisungen sorgfältig durch, bevor Sie das Produkt einschalten.



Gehörschutz tragen



Augenschutz tragen



Tragen Sie eine Staubschutzmaske.



EN
FR
DE
ES
IT
NL
PT
DA
SV
FI
NO
RU
PL
CS
HU
RO
LV
LT
ET
HR
SL
SK
EL
TR



Benutzen Sie keine angeschlagene, gebrochene oder defekte Schleifscheibe



Nassschleifen nicht gestattet. Die Benutzung von Wasser oder Kühlflüssigkeiten kann elektrische Schläge oder Elektroschocks verursachen.



Tragen Sie Sicherheitshandschuhe



EurAsian Konformitätszeichen.



CE-Konformität



Elektrische Geräte sollten nicht mit dem übrigen Müll entsorgt werden. Bitte entsorgen Sie diese an den entsprechenden Entsorgungsstellen. Wenden Sie sich an die örtliche Behörde oder Ihren Händler, um Auskunft über die Entsorgung zu erhalten.

**⚠ ADVERTENCIA**

Lea detenidamente todas las advertencias y todas las instrucciones. El incumplimiento de las instrucciones que se indican a continuación puede ocasionar diversos accidentes como incendios, descargas eléctricas y/o graves heridas corporales.

Guarde estas advertencias e instrucciones para poder consultarlas posteriormente.

ADVERTENCIAS DE SEGURIDAD DE LA REBARBADORA**INSTRUCCIONES DE SEGURIDAD PARA AMOLADO-RASS:**

- a) Esta herramienta ha sido diseñada para ser utilizada como amoladora. Lea atentamente todas las advertencias, instrucciones y especificaciones suministradas con la herramienta, y consulte las ilustraciones. El incumplimiento de las instrucciones que se indican a continuación puede ocasionar diversos accidentes como incendios, descargas eléctricas y/o graves heridas corporales.
- b) Se recomienda no realizar operaciones de lijado, cepillado con alambre, pulido o corte con esta herramienta eléctrica. El incumplimiento de esta instrucción puede ocasionar accidentes y graves heridas corporales.
- c) No utilice accesorios que no han sido específicamente diseñados para esta herramienta y que no han sido recomendados por el fabricante. Aun cuando pueda montar un accesorio en una herramienta, esto no le garantiza que pueda utilizar la herramienta con total seguridad.
- d) La velocidad nominal del accesorio debe ser igual o superior a la velocidad máxima indicada en la herramienta. Los accesorios que funcionen a una velocidad superior a su velocidad nominal pueden romperse y resultar proyectados de la herramienta.
- e) El diámetro exterior y el grosor del accesorio deben corresponder a las características especificadas para la herramienta. Si los accesorios no corresponden a las características indicadas, los sistemas de protección y ajuste de la herramienta no podrán funcionar correctamente.
- f) El montaje roscado de los accesorios debe coincidir con el segmento del eje de la amoladora. Para accesorios montados con bridas, el agujero del árbol del accesorio debe encajar en el diámetro de localización de la brida. Los accesorios que no se ajusten al hardware de instalación de la herramienta eléctrica pueden perder el equilibrio, vibrar excesivamente y causar una pérdida de control.
- g) No utilice accesorios deteriorados. Antes de cada utilización, compruebe que el accesorio que va a utilizar se encuentra en buenas condiciones: compruebe que los discos abrasivos no están mellados o agrietados, que los patines no están desgarrados o gastados, que las cerdas de los cepillos metálicos no están demasiado gastadas o rotas. Si se cae la herramienta eléctrica o el accesorio, compruebe que ningún elemento está deteriorado o instale un accesorio nuevo. Después de comprobar que el accesorio se encuentra en buenas condiciones y una vez que lo haya montado, manténgase a distancia del accesorio móvil y deje que la herramienta alcance su velocidad máxima durante un minuto. Si el accesorio está dañado, se romperá al realizar esta prueba.
- h) Use el equipo de protección personal. En función del uso que haga de la herramienta, lleve una máscara de protección, gafas de seguridad o de protección. Si fuera necesario, lleve una mascarilla antipolvo, protecciones auditivas, guantes y un delantal de protección para protegerse de las proyecciones de cuerpos extraños (elementos abrasivos, virutas de madera, etc.). Las gafas de protección permiten evitar las proyecciones de residuos que pueden dañar los ojos. Las mascarillas antipolvo permiten filtrar las partículas producidas por la operación que está realizando. La exposición prolongada a ruidos de fuerte intensidad puede causar una pérdida de audición.
- i) Mantenga a las demás personas a una distancia prudente de la zona de trabajo y cerciórese de que lleven un equipo de protección. Cualquiera que entre en el área de trabajo debe utilizar equipo de protección personal. Fragmentos de la pieza trabajada o de un accesorio roto pueden resultar proyectados más allá de la zona de trabajo y causar heridas graves.
- j) Sujete la máquina por la parte engomada cuando trabaje en una superficie debajo de la cual puedan pasar cables eléctricos o cuando el trabajo que desee realizar puede hacer que el cable de alimentación esté en la trayectoria de la máquina. El accesorio de corte que esté en contacto con un cable "vivo" puede transmitir corriente a las piezas metálicas de la herramienta que estén expuestas y el operador podría sufrir una descarga eléctrica.
- k) Coloque el cable de alimentación de manera que esté alejado del accesorio en movimiento. Si pierde el control de la herramienta, el cable de alimentación puede cortarse o atascarse, y su mano o su brazo puede ser arrastrado hacia el accesorio en movimiento.
- l) No deje nunca la herramienta hasta que el accesorio se haya detenido completamente. El accesorio en movimiento puede entrar en contacto con la superficie donde lo ha dejado y hacerle perder el control de la herramienta.
- m) No transporte la herramienta mientras está funcionando. El accesorio en movimiento podría engancharse en su ropa y causarle heridas graves.
- n) Limpie con frecuencia las ranuras de ventilación de la herramienta. La ventilación del motor arrastra el polvo hacia el cárter del motor, lo que puede producir una acumulación excesiva de partículas metálicas y





provocar descargas eléctricas.

- o) **No utilice la herramienta cerca de productos inflamables.** Las chispas podrían provocar un incendio.
- p) **No utilice accesorios que requieran el uso de fluidos de refrigeración.** El uso de agua o de líquidos de refrigeración puede provocar electrocuciones o descargas eléctricas.

INSTRUCCIONES ADICIONALES DE SEGURIDAD PARA TODAS LAS OPERACIONES

Advertencias de rebote y similares

El rebote es una reacción brusca que se produce al atascarse o engancharse el accesorio, como un disco de amolar, plato lijador, cepillo de alambre, etc. Al atascarse o engancharse el accesorio en funcionamiento, éste es frenado bruscamente. Ello puede hacer que pierda el control de la herramienta eléctrica y hacer que ésta salga impulsada en dirección opuesta al sentido de giro que tenía el accesorio.

En el caso de que por ejemplo, un disco amolador se atasque o bloquee en la pieza de trabajo, puede suceder que el canto del accesorio que penetra en el material se enganche, provocando la rotura del accesorio o el rebote del aparato. Según el sentido de giro y la posición del accesorio en el momento de bloquearse puede que éste resulte despedido hacia, o en sentido opuesto al usuario. En estos casos puede suceder que el accesorio incluso llegue a romperse.

Por lo tanto, el rebote es el resultado de una mala utilización de la máquina y/o de procedimientos o condiciones de corte incorrectas.

- a) **Sostenga firmemente la herramienta y mantenga el cuerpo y el brazo de manera que pueda controlar un posible rebote.** Si la herramienta cuenta con una empuñadura auxiliar, sosténgala siempre para tener un óptimo control de la herramienta en caso de producirse algún rebote o par de reacción al poner en marcha la herramienta. Adopte las medidas necesarias para poder controlar la herramienta en caso de producirse algún rebote o par de reacción.
- b) **No coloque nunca las manos cerca del accesorio en movimiento para evitar el riesgo de heridas graves en caso de producirse algún rebote.** Accesorio puede rebotar contra su mano.
- c) **No se ponga en la zona donde la herramienta puede resultar expulsada si se produce algún rebote.** De producirse algún rebote, la herramienta sería expulsada en el sentido opuesto al sentido de rotación del disco.
- d) **Preste especial atención cuando trabaje en ángulos, bordes cortantes, etc. Evite que el accesorio resbale o se atasque.** Cuando trabaja en ángulos o bordes cortantes o cuando la herramienta resbala, aumenta el riesgo de bloqueo del accesorio, lo que le puede hacer perder el control de la herramienta y provocar un rebote.

- e) **No utilice nunca hojas de tronadoras de madera u hojas de sierra con esta herramienta.** Este tipo de hojas aumenta el riesgo de rebote y de pérdida de control de la herramienta.

INSTRUCCIONES ADICIONALES DE SEGURIDAD PARA OPERACIONES DE AMOLADO

INSTRUCCIONES DE SEGURIDAD ESPECÍFICAS PARA OPERACIONES DE AMOLADO:

- a) **Utilice sólo los tipos de disco recomendados para esta herramienta eléctrica y la protección específica diseñada para el disco seleccionado.** Los discos para los que la herramienta no ha sido diseñada no pueden ser adecuadamente protegidos y suponen un riesgo.
- b) **La superficie de molienda de las ruedas centrales rebajadas debe montarse debajo del plano del borde de protección.** Una rueda montada incorrectamente que se proyecta a través del plano del borde de protección no puede protegerse adecuadamente.
- c) **La protección debe estar firmemente sujeta a la herramienta y colocada para una seguridad máxima, de forma que se exponga la menor cantidad de disco hacia el operador.** La cubierta ayuda a proteger al operador de los fragmentos de disco roto y del contacto accidental con el disco y chispas que pudieran prender la ropa.
- d) **Los discos sólo deben utilizarse para las aplicaciones recomendadas. Por ejemplo, no use los laterales de los discos de corte para amolar.** Los discos abrasivos de corte están destinados a las fuerzas laterales, de afilado periférico; si se aplican a estos discos puede hacer que se rompan.
- e) **Utilice siempre bridas en perfecto estado que tengan el tamaño la y forma correctos para el disco seleccionado.** Las bridas adecuadas soportan el disco, reduciendo así la posibilidad de rotura del mismo. Las bridas para discos tronzadores pueden ser diferentes de aquellas para los discos de amolar.
- f) **No use discos desgastados de herramientas de mayor potencia.** Los discos, destinados para una herramienta eléctrica más grande, no son adecuados para la velocidad más alta de una herramienta más pequeña y podría romperse.

ADVERTENCIAS DE SEGURIDAD DE LA REBARBADORA

- a) Verifique que la velocidad indicada en el disco para desbarbar sea igual o superior a la velocidad nominal de la herramienta.
- b) Compruebe que el diámetro del disco para desbarbar sea compatible con la herramienta y que se inserte correctamente en el árbol.
- c) Los discos para desbarbar deben guardarse en un lugar seco.
- d) No coloque ningún objeto sobre los discos.





- e) Los discos sólo se deben utilizar para las operaciones de pulido o esmerilado.
- f) Los discos se guardarán y manipularán con precaución, de conformidad con las instrucciones del fabricante.
- g) Antes de utilizar el disco para desbarbar, cerciédese de que no esté mellado o fisurado. De ser así, el disco podría quebrarse produciendo graves heridas.
- h) Cerciédese de que el disco esté montado de acuerdo a las instrucciones de este manual.
- i) Antes de utilizarlo, compruebe que el disco esté correctamente montado y apretado y, después, haga girar la herramienta en vacío durante 30 segundos orientándola de forma que no represente ningún peligro. Pare inmediatamente la herramienta si vibra excesivamente o si observa otros problemas. En este caso, contrólela para determinar la causa de dicho problema.
- j) No utilice anillos de reducción o distanciadores para reducir el diámetro interior de algunos discos.
- k) Verifique que la pieza trabajada esté bien sujeta.
- l) Utilice únicamente los discos recomendados por RYOBI.
- m) Compruebe que las chispas producidas por la utilización de la herramienta no crean una situación peligrosa, por ejemplo que no se proyectan sobre personas o sustancias inflamables.
- n) Utilice gafas de protección y dispositivos de protección auditiva.
- o) Si fuera necesario, utilice otros equipos de protección como guantes, delantales o cascos.
- p) No ponga nunca la herramienta en el suelo o sobre otras superficies cuando esté en marcha. Atención, la muela sigue girando por inercia después de que se pare la herramienta. No debe tocar nunca la muela, ni ponerla en el suelo o sobre otras superficies cuando esté girando.
- q) La brida de la muela y el disco de sujeción exterior deben tener el mismo diámetro exterior.
- r) Utilice el aparato únicamente para aquellos trabajos para los que ha sido diseñado. No utilice nunca fluido de refrigeración o agua. No utilice la herramienta como una herramienta fija.
- s) Cuando ponga la herramienta en marcha, sujétela bien con las dos manos.

USO PREVISTO

Amolado Metales

Utilice el aparato únicamente para aquellos trabajos para los que ha sido diseñado. Utilizar la herramienta eléctrica para realizar trabajos diferentes a los que esta herramienta está destinada podría dar como resultado una situación peligrosa.

MANTENIMIENTO

⚠ ADVERTENCIA

No haga ningún ajuste cuando el motor esté en marcha. Desenchufar siempre la herramienta antes de cambiar cualquier pieza amovible o fungible, antes de lubricarla o antes de trabajar en la unidad.

- Después de utilizar la máquina, cerciédese de que se encuentre en perfecto estado de marcha.
- Le recomendamos que lleve la máquina al menos una vez al año a un Centro de Servicio Habilitado Ryobi para una lubricación y una limpieza completas.
- Si el cable de alimentación está dañado, debería ser reemplazado únicamente por el fabricante o por un centro de servicio autorizado para evitar riesgos. Contacto Centro de Servicio Autorizado

⚠ ADVERTENCIA

Para mayor seguridad y fiabilidad, todas las reparaciones deben realizarse en un Centro de Servicio Habilitado Ryobi.

PROTECCIÓN DEL MEDIO AMBIENTE



Recicle las materias primas en lugar de tirarlas a la basura doméstica. Para proteger el medio ambiente, debe separar la herramienta, los accesorios y los embalajes.

SÍMBOLOS



Atención



Equipamiento de Clase II, doble aislamiento



Por favor, lea atentamente las instrucciones antes de encender el producto.



Utilice dispositivos de protección para los oídos



Utilice gafas de seguridad



Utilice una máscara antipolvo.



No utilice una rueda de esmeril picada, rajada o defectuosa



EN
FR
DE
ES
IT
NL
PT
DA
SV
FI
NO
RU
PL
CS
HU
RO
LV
LT
ET
HR
SL
SK
EL
TR



No apto para trituración por vía húmeda. El uso de agua o de líquidos de refrigeración puede provocar electrocuciones o descargas eléctricas.



Use guantes de seguridad para las manos



Certificado EAC de conformidad



Conformidad con CE



Los productos eléctricos de desperdicio no deben desecharse con desperdicios caseros. Por favor recíclelos donde existan dichas instalaciones. Compruebe con su autoridad local o minorista para reciclar.

**⚠ AVVERTENZA**

Leggere con attenzione tutte le avvertenze e tutte le istruzioni. La mancata osservanza delle istruzioni riportate di seguito potrebbe provocare incidenti quali incendi, scosse elettriche e/o gravi lesioni fisiche.

Conservare le presenti avvertenze ed istruzioni per poterle consultare in seguito.

AVVERTENZE DI SICUREZZA SMERIGLIATRICE ANGOLARE**NORME DI SICUREZZA PER MOLATRICI:**

- a) Questo apparecchio è stato progettato per essere utilizzato come molatrice. Leggere attentamente tutte le avvertenze, le istruzioni e le specifiche fornite con l'apparecchio e fare riferimento alle illustrazioni. La mancata osservanza delle istruzioni riportate di seguito potrebbe provocare incidenti quali incendi, scosse elettriche e/o gravi lesioni fisiche.
- b) Operazioni di levigatura, spazzolatura, lucidatura o taglio non devono essere svolte con questo elettroutensile. La mancata osservanza di questa norma può provocare incidenti e gravi lesioni fisiche.
- c) Non utilizzare accessori che non sono stati appositamente progettati per questo apparecchio e che non sono raccomandati dal produttore. Anche se un accessorio può essere montato su un apparecchio, ciò non garantisce che l'apparecchio possa comunque essere utilizzato in totale sicurezza.
- d) La velocità nominale dell'accessorio deve essere pari o superiore alla velocità massima indicata sull'apparecchio. Gli accessori utilizzati ad una velocità superiore alla loro velocità nominale possono infatti rompersi ed essere proiettati verso l'esterno.
- e) Il diametro esterno e lo spessore dell'accessorio devono corrispondere alle caratteristiche specificate per l'apparecchio. Se gli accessori non corrispondono alle caratteristiche indicate, i sistemi di protezione e di regolazione dell'apparecchio non possono funzionare correttamente.
- f) Il montaggio filettato degli accessori deve seguire la filettatura dello stelo della smerigliatrice. Per accessori montati dalle flange, il foro del mandrino dell'accessorio deve corrispondere al diametro della flangia. Accessori che non corrispondono alla sede di montaggio dell'utensile non saranno bilanciati, vibreranno eccessivamente e potranno causare perdita di controllo.
- g) Non utilizzare un accessorio danneggiato. Prima di ciascun impiego, assicurarsi che l'accessorio utilizzato sia in buono stato: accertarsi quindi che i dischi abrasivi non siano scheggiati né fessurati, che i pattini non siano lacerati né usurati e che le setole delle spazzole metalliche non siano eccessivamente usurate né rotte. In caso di caduta dell'apparecchio o dell'accessorio, assicurarsi

che non vi siano componenti danneggiati e, all'occorrenza, installare un accessorio nuovo. Dopo avere verificato che l'accessorio è in buono stato e dopo averlo installato, tenersi a debita distanza dall'accessorio mobile ed attendere circa un minuto affinché l'apparecchio raggiunga la velocità massima. Se l'accessorio è danneggiato, si romperà durante questo test.

- h) Indossare dispositivi equipaggiamento di protezione personale. A seconda dell'uso a cui è destinato l'apparecchio, indossare una maschera protettiva, occhiali di sicurezza o occhiali di protezione. All'occorrenza, indossare una maschera antipolvere, dispositivi di protezione uditiva, guanti ed un grembiule di protezione per proteggersi da eventuali proiezioni di corpi estranei (elementi abrasivi, trucioli di legno, ecc.). Gli occhiali di protezione consentono di evitare le lesioni oculari dovute alle proiezioni di frammenti. Le maschere antipolvere permettono di filtrare le particelle generate dall'operazione eseguita. L'esposizione prolungata ad un rumore di forte intensità può comportare la perdita dell'udito.
- i) Tenere le persone estranee a debita distanza dalla zona di lavoro ed assicurarsi che indossino un'attrezzatura di protezione. Persone che entrano nella zona di lavoro deve indossare dispositivi di protezione individuale. Eventuali frammenti del pezzo da lavorare o di un accessorio rotto possono essere scagliati oltre la zona di lavoro e causare gravi lesioni fisiche.
- j) Quando si lavora su una superficie che potrebbe nascondere fili elettrici o se il lavoro da eseguire può portare il cavo d'alimentazione a trovarsi sulla traiettoria dell'apparecchio, afferrare quest'ultimo tenendolo soltanto per le parti isolate ed antisclivo. Se la lama taglia un cavo "vivo" le parti esposte dell'elettroutensile potrebbero fare da conduttore e causare scosse elettriche.
- k) Posizionare il cavo d'alimentazione in modo tale che si trovi a debita distanza dall'accessorio in rotazione. Se si perde il controllo dell'apparecchio, il cavo d'alimentazione potrebbe venire tagliato o incastrarsi e la mano o il braccio dell'operatore potrebbero essere trascinati verso l'accessorio in rotazione.
- l) Non posare mai l'apparecchio prima che l'accessorio si sia completamente arrestato. L'accessorio in rotazione potrebbe entrare a contatto con la superficie sulla quale è posato e fare perdere il controllo dell'apparecchio.
- m) Non fare funzionare l'apparecchio mentre lo si trasporta. L'accessorio in rotazione potrebbe impigliarsi nei propri indumenti e causare gravi lesioni.
- n) Pulire regolarmente le aperture di ventilazione dell'apparecchio. La ventilazione del motore fa penetrare le polveri all'interno del carter del motore, con conseguente accumulo eccessivo di particelle metalliche e possibilità di scosse elettriche.



- o) **Non utilizzare l'apparecchio nelle vicinanze di prodotti infiammabili.** Le eventuali scintille generate rischierebbero di incendiarli.
- p) **Non utilizzare accessori che richiedono fluidi di raffreddamento.** L'utilizzo di acqua o di liquidi di raffreddamento può causare episodi di elettrocuzione o scosse elettriche.

ULTERIORI ISTRUZIONI DI SICUREZZA PER TUTTE LE OPERAZIONI

Rimbaldi e avvertenze correlate

Il contraccalpo è una reazione improvvisa che si verifica quando la mola in movimento, il pattino, la spazzola o qualunque altro accessorio si incastra o si piega, con conseguente bloccaggio rapido dell'accessorio. L'apparecchio, che continua a funzionare, viene quindi proiettato nella direzione opposta a quella di utilizzo dell'accessorio.

Ad esempio, se un disco abrasivo si incastra o si piega nel pezzo da lavorare, il tagliente del disco rischia di penetrare nella superficie del pezzo facendo uscire bruscamente il disco dal pezzo e scagliandolo verso l'operatore o comunque a distanza. La ruota può saltare verso o lontano dall'operatore, a seconda della direzione del movimento della ruota al punto di pizzicamento. In caso di contraccalpo, il disco abrasivo può anche rompersi.

Il contraccalpo è pertanto il risultato di un utilizzo errato dell'apparecchio e/o di procedimenti o di condizioni di impiego inappropriati.

- a) **Tenere l'apparecchio saldamente e posizionare il proprio corpo e il braccio in modo tale da riuscire a controllare un eventuale contraccalpo.** Se l'apparecchio dispone di un'impugnatura ausiliaria, assicurarsi sempre di afferrarla per avere il controllo ottimale dell'apparecchio in caso di contraccalpo o di controcoppia al momento della sua messa in funzione. Adottare le misure necessarie per riuscire a controllare l'apparecchio in caso di contraccalpo o di controcoppia.
- b) **Non avvicinare mai la mano all'accessorio in rotazione, onde evitare qualunque rischio di gravi lesioni fisiche in caso di contraccalpo.** Accessorio possono causare contraccalpi alla mano.
- c) **Non sistemarsi nella zona in cui l'apparecchio rischia di essere scagliato in caso di contraccalpo.** In caso di contraccalpo, l'apparecchio viene scagliato nella direzione opposta al senso di rotazione del disco.
- d) **Prestare particolare attenzione quando si lavora su angoli, bordi taglienti, ecc. Evitare di fare slittare o di incastrare l'accessorio.** Quando si lavora su angoli o bordi taglienti o si fa slittare l'apparecchio, si accentua il rischio di bloccare l'accessorio e pertanto di perdere il controllo dell'apparecchio stesso e di provocare un contraccalpo.
- e) **Non utilizzare mai lame adatte alle troncatrici per legno o lame da sega con questo apparecchio.** Queste lame aumentano infatti il rischio di contraccalpo e di perdita di controllo dell'apparecchio.

ULTERIORI ISTRUZIONI DI SICUREZZA PER OPERAZIONI DI MOLATURA

SPECIFICHE DI SICUREZZA PER OPERAZIONI DI SMERIGLIATURA:

- a) **Utilizzare solo con il tipo di ruote indicate con questo elettroutensile e con i pararuote specifici per queste ruote.** L'utilizzo di ruote non progettate per essere utilizzate con questo utensile non garantirà la protezione e la sicurezza dell'operatore.
- b) **La superficie smerigliatrice delle ruote centrali deve essere montata sotto il piano dell'orlo di protezione.** Una ruota non montata correttamente che si proietta attraverso il piano dell'orlo di protezione non può essere adeguatamente protetta.
- c) **I pararuote devono essere collegati all'elettroutensile in modo da garantire una massima sicurezza, lasciando solo una minima parte delle ruote esposta verso l'operatore.** Il pararuota aiuta a proteggere l'operatore da frammenti di materiale che potranno essere scagliati contro l'operatore e da contatto accidentale con la ruota o con scintille che potranno incendiare gli abiti dell'operatore.
- d) **Le ruote devono essere utilizzate solo per le applicazioni raccomandate. Per esempio, non svolgere operazioni di smerigliatura con la parte laterale delle ruote di taglio.** Le ruote di taglio abrasive sono progettate per molature periferiche, applicare eccessiva forza su di esse potrà romperle.
- e) **Utilizzare sempre flange per ruote non danneggiate delle corrette dimensioni e misure, adatte alle ruote selezionate.** Le flange per le ruote sostengono le ruote riducendo la possibilità di rottura. Le flange per le ruote di taglio possono essere diverse dalle flange delle ruote di smerigliatura.
- f) **Non utilizzare ruote consumate per elettroutensili grandi.** Le ruote per elettroutensili più grandi non sono adatte per utensili più piccoli a velocità alta e potranno scoppiare.

AVVERTENZE DI SICUREZZA SMERIGLIATRICE ANGOLARE

- a) Verificare che la velocità indicata sulla mola per sbavatura sia uguale o superiore alla velocità nominale dell'apparecchio.
- b) Accertarsi che il diametro della mola per sbavatura sia compatibile con l'apparecchio e che la mola si inserisca correttamente sull'albero.
- c) Riporre le mole per sbavatura in un luogo asciutto.
- d) Non collocare alcun oggetto sopra le mole.
- e) Non utilizzare le mole per effettuare lavorazioni diverse dalla molatura.
- f) Riporre e maneggiare le mole con cautela, seguendo le istruzioni del produttore.
- g) Prima di utilizzare la mola, accertarsi che non sia scheggiata o fessurata. Nel caso in cui risultasse



scheggiata o fessurata, la mola potrebbe rompersi e provocare gravi lesioni fisiche.

- h) Accertarsi che la mola sia montata in modo conforme alle istruzioni fornite nel presente manuale.
- i) Prima dell'uso, accertarsi altresì che la mola sia montata e serrata correttamente, quindi fare girare l'apparecchio a vuoto per 30 secondi orientandolo in modo tale che non rappresenti un pericolo. Arrestare immediatamente l'apparecchio nel caso in cui vibri eccessivamente oppure se si notano altre anomalie. In tal caso, controllare l'apparecchio per determinare la causa del problema.
- j) Non utilizzare riduttori o adattatori per ridurre l'alesaggio di mole a grande alesaggio.
- k) Verificare che il pezzo da lavorare sia bloccato in modo corretto.
- l) Utilizzare esclusivamente le mole raccomandate da RYOBI.
- m) Assicurarsi che le scintille prodotte durante l'uso dell'apparecchio non creino situazioni pericolose, quali ad esempio quelle causate dalla loro proiezione su persone o sostanze infiammabili.
- n) Indossare sempre occhiali protettivi e dispositivi di protezione uditiva.
- o) Se necessario, utilizzare altre attrezzature di protezione, come ad esempio guanti, grembiuli o caschi.
- p) Non adagiare mai l'apparecchio acceso sul pavimento o su altre superfici. Attenzione: Dopo l'arresto dell'apparecchio, la mola continua a girare per inerzia. Non toccare mai né posare a terra o su altre superfici la mola in rotazione.
- q) La flangia della mola e la flangia esterna devono avere lo stesso diametro esterno.
- r) Utilizzare l'apparecchio solo per le applicazioni per cui è stato concepito. Non utilizzare mai liquido di raffreddamento o acqua. Non utilizzare l'apparecchio come un apparecchio fisso.
- s) Durante l'uso, tenere l'apparecchio ben saldo con entrambe le mani.

NAUDOJIMO PASKIRTIS

Šlifuoti metalus

Įrankį naudokite tik leistinai paskirčiai. Naudokite elektrinį įrankį tik pagal tiesioginę paskirtį, kitaip sukelsite pavojingą situaciją.

PRIEŽIŪRA

⚠ ĮSPĖJIMAS

Kai variklis įjungtas, įrankio jokiais būdais nereguliuokite. Prieš keisdami nuimamas ar ištraukiamas detales, įrankį sutepdami ar dirbdami su objektu, visada ištraukite maitinimo laidą iš elektros maitinimo šaltinio.

- Po naudojimo įrankį patikrinkite, kad įsitikintumėte, ar jis geros būklės.
- Rekomenduojama bent vieną kartą per metus šį įrankį pristatyti į įgaliotą „Ryobi“ techninės priežiūros centrą, kad jo darbuotojai įrankį gerai išvalytų ir suteptų.
- Jeigu maitinimo laidas pažeistas, jį turi pakeisti tik gamintojas arba įgaliota techninės priežiūros įmonė, kad būtų išvengta pavojaus. Kreipkitės į įgaliotą techninės priežiūros centrą

⚠ ĮSPĖJIMAS

Siekiant užtikrinti saugumą ir įrankio patikimumą, visi remonto darbai turi būti atliekami ĮGALIOTAME TECHNINĖS PRIEŽIŪROS CENTRE ar kitoje KVALIFIKUOTOJE TECHNINĖS PRIEŽIŪROS ĮMONĖJE.

APLINKOS APSAUGA



Žaliavines medžiagas perdirbkite pakartotinai, o ne išmeskite kaip atliekas. Mechanizmas, priedai ir pakuočės turi būti laikomi pakartotinai perdirbti aplinkai nekenksmingu būdu.

ŽENKLAI



Pranešimas apie saugumą



Utensile di Classe II, doppio isolamento



Prieš pradėdam naudoti šį prietaisą, prašome atidžiai perskaityti šias instrukcijas.



Dėvėkite klausos apsaugos priemones



Dėvėkite akių apsaugos priemones



Indossare una maschera per la polvere.



Non utilizzare ruote smerigliatrici consumate, rotte o difettose



Non permesso per macinazione ad umido. Naudojant vandenį ar kitą aušinimo skystį galima sukelti elektros smūgį ar nuo elektros žūti.



Mūvėkite apsaugines rankų pirštines



Marchio di conformità EurAsian



CE suderinimas



Elektrinių produktų atliekos neturi būti metamos kartu su namų ūkio atliekomis. Prašome perdirbkite jas ten, kur yra tokios perdirbimo bazės. Dėl perdirbimo patarimo kreipkitės į savo vietinę savivaldybę ar parduotuvę.

**⚠ WAARSCHUWING**

Lees aandachtig alle waarschuwingen en alle voorschriften. Als u onderstaande voorschriften niet opvolgt, kan dit leiden tot ongelukken zoals brand, elektrische schokken en/of ernstig lichamelijk letsel.

Bewaar deze waarschuwingen en voorschriften zorgvuldig om ze ook later te kunnen inzien.

VEILIGHEIDSWAARSCHUWINGEN HAAKSE SLIJPMACHINE**VEILIGHEIDSVORSCHRIFTEN VOOR SLIJPERS:**

- a) Dit apparaat is bedoeld om gebruikt te worden als slijper. Lees aandachtig alle waarschuwingen, aanwijzingen en specificaties die bij deze machine worden meegeleverd en bestudeer de afbeeldingen. Als u onderstaande voorschriften niet opvolgt, kan dit leiden tot ongelukken zoals brand, elektrische schokken en/of ernstig lichamelijk letsel.
- b) Van werkzaamheden, zoals schuren, staalborstelen, polijsten of afsnijden is het niet aanbevolen te met dit werktuig uit te voeren. Niet naleving van dit voorschrift kan ongelukken en ernstig lichamelijk letsel veroorzaken.
- c) Gebruik geen accessoires die niet specifiek voor deze machine zijn bedoeld en die niet zijn aanbevolen door de fabrikant. Ook al kan een accessoire wel op de machine worden gemonteerd, garandeert dit niet dat u de machine geheel veilig kunt gebruiken.
- d) De nominale snelheid van de accessoire moet hoger of gelijk zijn aan de maximale snelheid die op de machine is aangegeven. Als accessoires op een snelheid werken die hoger is dan hun nominale snelheid, kunnen ze breken of worden weggeslingerd.
- e) De buitendiameter en de dikte van de accessoire moeten overeenkomen met de specificaties die zijn voorgeschreven voor de machine. Als de accessoires niet overeenkomen met de voorgeschreven specificaties, werken de beveiligings- en afstelsystemen van de machine mogelijk niet naar behoren.
- f) De montage van accessoires via schroefverbindingen moet overeenkomen met de aschroefdraad van de slijpschijfmachine. Voor accessoires die via flenzen worden gemonteerd, moet het asgat van het accessoire overeenkomen met de diameter van de flens. Accessoires die niet overeenkomen met de montagehardware van het gereedschap zullen onevenwichtig werken, overmatig trillen en kunnen leiden tot controleverlies.
- g) Gebruik een accessoire niet als het is beschadigd. Controleer eerst of de accessoire in goede staat is voordat u het gaat gebruiken: controleer of doorslijpschijven niet zijn ingekeept of gescheurd en of haren van staalborstels niet zijn versleten

of afgebroken. Controleer of er geen elementen zijn beschadigd en installeer zonedig een nieuw accessoire als de machine of accessoire is gevallen. Na te hebben gecontroleerd of de accessoire in goede staat is en na dit te hebben geïnstalleerd, zorgt u dat u op afstand blijft van de accessoire en laat u de machine gedurende één minuut op volle toeren draaien. Als de accessoire is beschadigd, zal het gedurende deze test breken.

- h) Draag persoonlijke beschermingsmiddelen. Afhankelijk van het gebruik dat u van uw machine maakt, dient u een veiligheidsmasker, veiligheidsbril of beschermbril te dragen. Draag al naar behoefte een stofmasker, gehoorbeschermers, handschoenen en een veiligheidschoort om u te beschermen tegen alle eventueel rondslingerende voorwerpen (slijpsel, zaagsel, stukjes hout, enz.). Een veiligheidsbril helpt te voorkomen dat wegspattend vuil uw ogen beschadigt. Door stofmaskers worden de deeltjes weggefilterd die ontstaan door het werk dat u aan het doen bent. Langdurige blootstelling aan intens geluid kan gehoorverlies veroorzaken.
- i) Houd omstanders op redelijke afstand van de werkzone en zorg dat zij een veiligheidsuitrusting dragen. Iedereen die zich binnen de werkzone moeten dragen van persoonlijke beschermingsmiddelen. Fragmenten van het werkstuk of een accessoire kunnen buiten de werkzone worden weggeslingerd en ernstig lichamelijk letsel veroorzaken.
- j) Houd de machine alleen vast aan geïsoleerde en slijpvrije delen als u in een oppervlak of ondergrond werkt waarin zich elektrische leidingen kunnen bevinden of als bij het uitvoeren van de werkzaamheden het netsnoer in de buurt van het werktuig zou kunnen komen. Wanneer de accessoire een spanningvoerende leiding raakt, kunnen de blootgestelde onderdelen van de machine onder spanning komen waardoor de gebruiker wordt geëlectrocuteerd.
- k) Plaats het netsnoer op zodanige wijze dat het uit de buurt blijft van de draaiende accessoire. Als u de macht over de machine verliest, zou het netsnoer kunnen worden doorgesneden of beklemd kunnen raken en zou uw hand of arm naar de draaiende accessoire kunnen worden toetrokken.
- l) Leg de machine nooit neer voordat de accessoire volledig tot stilstand is gekomen. Een nog draaiende accessoire zou in aanraking kunnen komen met het oppervlak waarop u het neerlegt en u de macht over de machine doen verliezen.
- m) Laat de machine niet werken tijdens het transport. De draaiende accessoire zou in uw kleding verstrikt kunnen raken en u ernstig kunnen verwonden.
- n) Reinig regelmatig de ventilatieopeningen van de machine. De ventilatie van de motor doet stof in de motorombouw binnendringen, wat een overmatige opeenhoping van metaaldeeltjes kan verwekken en elektrische schokken kan veroorzaken.
- o) Gebruik de machine niet in de buurt van brandbare



stoffen. Door vonkvorming kunnen deze in brand worden gestoken.

- p) **Gebruik geen accessoires waarvoor koelvloeistoffen zijn vereist.** Het gebruik van water of koelvloeistoffen kan elektrocuties of elektrische schokken veroorzaken.

VERDERE VEILIGHEIDSinSTRUCTIES VOOR ALLE BEWERKINGEN

Terugslag en aanverwante waarschuwingen

Een terugslag is een plotselinge reactie die optreedt wanneer een draaiende slijpschijf, schuurvoet, borstel of andere accessoire zich vastklemt of verbuigt, wat de snelle blokkering van de accessoire veroorzaakt. De machine wordt hierdoor in de tegengestelde richting van de gebruiksrichting van de accessoire geworpen.

Als bijvoorbeeld een doorslijpschijf zich vastklemt of verbogen raakt in het werkstuk, bestaat het gevaar dat de snijkant van de schijf zich diep in het oppervlak van het werkstuk drukt, waardoor de schijf plotseling uit het werkstuk kan komen. Het wiel kan zowel springen naar of uit de buurt van de exploitant, afhankelijk van de richting van de beweging van het wiel op de plaats van knijpen. Bij een terugslag kan de doorslijpschijf ook breken.

Terugslag is dus het gevolg van een verkeerd gebruik van de machine en/of van onjuiste procedures of omstandigheden.

- Houd de machine stevig vast en plaats uw lichaam en uw armen zo dat ze een eventuele terugslag kunnen opvangen.** Als de machine is voorzien van een zijhandgreep, dient u deze altijd te benutten om optimale macht over de machine te behouden bij terugslag of reactiekoppel wanneer de machine inschakelt. Neem de nodige maatregelen om de machine in uw macht te kunnen houden ingeval van terugslag of reactiekoppel.
- Plaats uw hand nooit in de nabijheid van de draaiende accessoire om gevaar voor ernstig lichamelijk letsel te voorkomen in geval van terugstuiten.** Accessoire kan terugslaan over je hand.
- Plaats uzelf niet in het gebied waarheen de machine zou kunnen terugstuiten ingeval van terugslag.** Bij een terugslag wordt de machine in de tegenovergestelde richting van de draairichting van de schijf weggeslingerd.
- Wees bijzonder waakzaam als u werkt aan de hoeken, scherpe randen, enz. Voorkom dat de accessoire uitschiet of beklemd raakt.** Wanneer u aan hoeken of scherpe randen werkt of wanneer u de machine laat uitschieten, is het gevaar om de accessoire te blokkeren veel groter, en om dus de macht over de machine te verliezen en een terugslag te veroorzaken.
- Gebruik nooit een blad van een afkortzaag of een cirkelzaagblad in combinatie met deze machine.** Dergelijke bladen verhogen het risico voor terugslag en verlies van de macht over de machine.

BIJKOMENDE VEILIGHEIDSinSTRUCTIES VOOR SLIJPWERKZAAMHEDEN

SPECIEFIEKE VEILIGHEIDSWAARSCHUWINGEN VOOR SLIJPWERKZAAMHEDEN:

- Gebruik uitsluitend slijpschijven die voor uw machine worden aanbevolen en de specifieke beschermkap, ontworpen voor de geselecteerde slijpschijf.** Slijpschijven die niet voor de machine zijn ontworpen zijn onveilig.
- Het slijppoppervlak van de middelste ingedrukte wielen moeten onder het vlak van de beschermlijp worden gemonteerd.** Een foutief gemonteerd wiel dat over het vlak van de beschermlijp uitsteekt kan niet goed worden beschermd.
- De beschermkap moet stevig op de machine worden vastgemaakt en afgesteld voor maximale veiligheid zodat zo weinig mogelijk van de slijpschijf aan de gebruiker wordt blootgesteld.** De beschermerkap beschermt de gebruiker tegen losse stukjes van het wiel, waardoor onbedoeld contact met het wiel wordt voorkomen en vonken kleding niet kunnen doen ontbranden.
- Slijpschijven mogen uitsluitend worden gebruikt voor de aanbevolen toepassingen. Zo is het verboden te slijpen met de rand van de slijpschijf.** Afbraamschijven zijn bedoeld voor periferisch slijpen, zijdelingse krachten die op deze slijpschijven worden uitgeoefend kunnen ervoor zorgen dat deze breken.
- Gebruik altijd onbeschadigde flensen met de juiste afmetingen en vorm voor het wiel dat u heeft geselecteerd.** Dergelijke wielflensen ondersteunen de slijpschijf zodanig dat de kans dat de slijpschijf breekt, kleiner wordt. Flensen voor afbraamschijven kunnen verschillen van flensen voor doorslijpschijven.
- Gebruik geen versleten wielen van grotere werktuigen.** Wielen die voor een groter werktuig zijn bestemd zijn niet geschikt voor de hogere snelheid van een kleiner werktuig en kunnen barsten.

VEILIGHEIDSWAARSCHUWINGEN HAAKSE SLIJPMACHINE

- Controleer of de snelheid die op de afbraamschijf is aangegeven, minstens gelijk is aan de nominale snelheid van het apparaat.
- Controleer of de diameter van de afbraamschijf compatibel is met het apparaat en of de schijf goed op de opname-as past.
- Bewaar afbraamschijven op een droge plaats.
- Leg niets bovenop de schijven.
- Gebruik de schijven niet voor andere doeleinden dan voor afbraamwerk.
- De schijven moeten met inachtneming van bepaalde voorzorgen worden opgeborgen en behandeld: volg de aanwijzingen van de fabrikant.
- Controleer vóór gebruik of er scheuren te zien zijn of



dat er stukken zijn weggeslagen. De schijf zou in een dergelijk geval kunnen breken, wat ernstig lichamelijk letsel kan veroorzaken.

- h) Zorg ervoor dat de schijf precies volgens de aanwijzingen van deze handleiding is opgespannen.
- i) Controleer voordat u de slijpmachine gaat gebruiken of de schijf juist is gemonteerd en goed vastzit; laat het apparaat vervolgens 30 seconden onbelast draaien en richt het daarbij zo dat het geen gevaar kan opleveren. Zet het apparaat onmiddellijk uit als het buitensporig gaat trillen of als u andere problemen opmerkt. Probeer in dit geval uit te vinden wat de oorzaak van het probleem is.
- j) Gebruik geen reduceerringen of opvulstukken om het gat te verkleinen van schijven met een te groot asgat.
- k) Zorg dat het werkstuk voldoende vastgeklemd is.
- l) Gebruik alleen door RYOBI aanbevolen schijven.
- m) Zorg dat de vonken die tijdens het gebruik van uw slijper ontstaan geen enkel gevaar kunnen opleveren en dat ze bijvoorbeeld niet naar personen of ontvlambare stoffen worden wegspatten.
- n) Zorg ervoor dat u altijd een veiligheidsbril en gehoorbescherming draagt.
- o) Gebruik zonnodig ook andere persoonlijke beschermingsmiddelen, zoals handschoenen, een schort of een helm.
- p) Leg het apparaat nooit op de grond of ergens anders als het nog draait. Pas op: door inertie draait de schijf na uitschakeling van het apparaat nog een tijdje door. U mag de schijf nooit zelf aanraken of de grond of een ander oppervlak laten aanraken als hij nog draait.
- q) De flens van de schijf en de buitenflens moeten dezelfde uitwendige diameter hebben.
- r) Gebruik uw apparaat uitsluitend voor de toepassingen waarvoor het bestemd is. Gebruik nooit koelvloeistof of water. Gebruik de slijper nooit in een stationaire opstelling.
- s) Houd het apparaat tijdens het gebruik altijd stevig met twee handen vast.

BEOOGD GEBRUIK

Slijpen metalen

Gebruik uw apparaat uitsluitend voor de toepassingen waarvoor het bestemd is. Het gebruik van het werktuig voor niet-voorgeschreven gebruik kan leiden tot gevaarlijke situaties.

ONDERHOUD

⚠ WAARSCHUWING

Probeer niet om een afstelling te wijzigen als de motor draait.

Trek altijd eerst de stekker uit het stopcontact voor u verwijderbare of vervangbare onderdelen vervangt, het apparaat smeert of andere werken uitvoert.

- Controleer na elk gebruik of uw machine in goede staat van werking verkeert.
- Aanbevolen wordt om uw machine minstens éénmaal per jaar door een erkend Ryobi servicecentrum volledig te laten doorsmeren en schoonmaken.
- Als het stroomsnoer beschadigd is, mag deze uitsluitend worden vervangen door de fabrikant of door een geautoriseerd onderhoudscentrum om risico te voorkomen. Neem contact op met een Geautoriseerd Onderhoudscentrum

⚠ WAARSCHUWING

Alle reparaties moeten worden uitgevoerd door een Erkend Ryobi Servicecentrum om de veilige en betrouwbare werking van de machine te waarborgen.

MILIEUBESCHERMING



Zorg dat grondstoffen worden gerecycled in plaats van weggegooid als afval. Om het milieu te beschermen dient de machine, de accessoires en de verpakking gesorteerd bij een erkend recyclingcentrum te worden angeleverd.

SYMBOLLEN



Veiligheidswaarschuwing



Klasse II-apparaat, dubbele isolatie



Lees zorgvuldig de instructies voor u het product start.



Draag gehoorbescherming



Draag gezichtsbescherming



Draag een stofmasker.



Gebruik geen gebroken, gebarsten of defect slijpwiël



Nat slijpen niet toegestaan. Het gebruik van water of koelvloeistoffen kan elektrocuties of elektrische schokken veroorzaken.



Draag veiligheidshandschoenen



EurAsian-symbool van overeenstemming.



EU-conformiteit



Elektrisch afval mag niet samen met ander huishoudafval worden weggegooid. Gelieve te recyclen indien de mogelijkheid bestaat. Neem contact op met uw gemeente of handelaar om advies te krijgen over recyclage.

**⚠ AVISO**

Leia com atenção todas as advertências e todas as instruções. O incumprimento das instruções seguintes pode ocasionar acidentes como incêndios, choques eléctricos e/ou ferimentos graves.

Conserve estas advertências e instruções para poder consultá-las mais tarde.

AVISOS DE SEGURANÇA DA AFIADORA ANGULAR**RECOMENDAÇÕES DE SEGURANÇA PARA REBARBADORAS:**

- a) Esta ferramenta foi concebida para ser utilizada como rebarbadora. Leia com atenção todas as advertências, instruções e especificações fornecidas com a ferramenta, e consulte as ilustrações. O incumprimento das instruções seguintes pode ocasionar acidentes como incêndios, choques eléctricos e/ou ferimentos graves.
- b) Não se recomenda que esta máquina seja utilizada em operações como lixagem, escovagem, polimento ou corte. O incumprimento desta recomendação pode ocasionar acidentes e ferimentos graves.
- c) Não utilize acessórios que não são concebidos especificamente para esta ferramenta e que não são recomendados pelo fabricante. Mesmo se um acessório puder ser montado numa ferramenta, isso não garante que possa utilizar esta ferramenta com toda a segurança.
- d) A velocidade nominal do acessório deve ser igual ou superior à velocidade máxima indicada na ferramenta. Os acessórios que funcionam a uma velocidade superior à sua velocidade nominal podem quebrar e ser ejectados.
- e) O diâmetro externo e a espessura do acessório devem corresponder às características especificadas para a ferramenta. Se os acessórios não corresponderem às características indicadas, os sistemas de protecção e de ajuste da ferramenta não poderão funcionar correctamente.
- f) A montagem roscada dos acessórios deve coincidir com o segmento de eixo amolador. Para acessórios montados por flanges o buraco de eixo do acessório deve adequar-se ao diâmetro de localização da flange. Os acessórios que não correspondam ao hardware de instalação da ferramenta eléctrica podem perder o equilíbrio, vibrar excessivamente e podem causar a perda de controlo.
- g) Não utilize um acessório danificado. Antes de cada utilização, verifique se o acessório que vai utilizar está em bom estado. Confirme que os discos abrasivos não estão rachados ou fissurados, que as placas de lixar não estão rasgadas ou usadas, que os pêlos das escovas metálicas não estão usados demais ou quebrados. Se a ferramenta ou o acessório cair, verifique se nenhum elemento ficou danificado e, sendo necessário, instale um acessório novo. Se a ferramenta ou o acessório cair, verifique se nenhum elemento ficou danificado e, sendo necessário, instale um acessório novo. Se o acessório estiver danificado, vai quebrar durante este teste.
- h) Usar equipamento de protecção pessoal. Conforme a utilização que faz da sua ferramenta, use uma máscara de protecção, óculos de segurança ou óculos de protecção. Conforme a utilização que faz da sua ferramenta, use uma máscara de protecção, óculos de segurança ou óculos de protecção. Se necessário, use uma máscara anti-poeira, protecções auditivas, luvas e um avental de protecção, de modo a proteger-se contra qualquer projecção de corpos estranhos (elementos abrasivos, aparas de madeira, etc.). As máscaras anti-poeira permitem filtrar as partículas criadas pela operação realizada. As máscaras anti-poeira permitem filtrar as partículas criadas pela operação realizada.
- i) Mantenha os visitantes a boa distância da zona de trabalho e verifique se usam equipamento de protecção. Mantenha os visitantes a boa distância da zona de trabalho e verifique se usam equipamento de protecção. Os fragmentos da peça a trabalhar, ou de um acessório quebrado, podem ser projectados além da zona de trabalho e causar ferimentos graves.
- j) Segure a ferramenta unicamente pelas partes isoladas e anti-derrapantes quando trabalhar numa superfície que pode esconder fios eléctricos ou quando o trabalho requerido possa pôr o fio de alimentação na trajetória da ferramenta. O acessório de corte que entre em contacto com um fio "ligado" pode tornar as peças de metal da ferramenta eléctrica condutivas e tal pode causar um choque eléctrico ao operador.
- k) Posicione o fio de alimentação de modo que fique distante do acessório em rotação. Se perder o controlo da sua ferramenta, o fio de alimentação pode ser cortado ou ficar entalado, e a mão ou o braço poderia ser arrastado para o acessório em rotação.
- l) Nunca assente a ferramenta enquanto o acessório não estiver completamente parado. O acessório em rotação poderia entrar em contacto com a superfície onde está assente e fazer perder o controlo da ferramenta.
- m) Não faça funcionar a ferramenta quando a transporta. O acessório em rotação poderia prender-se nas roupas e causar ferimentos graves.
- n) Limpe regularmente as fendas de ventilação da ferramenta. A ventilação do motor faz penetrar as poeiras no cárter do motor, o que pode ocasionar uma acumulação excessiva de partículas metálicas e provocar choques eléctricos.
- o) Não utilize a sua ferramenta próximo de produtos inflamáveis. As chispas poderiam inflamá-los.
- p) Não utilize acessórios que requerem fluidos de



arrefecimento. A utilização de água ou de líquidos de arrefecimento pode provocar electrocussões ou choques eléctricos.

RECOMENDAÇÕES GERAIS DE SEGURANÇA SUPLEMENTARES

Recuo e avisos associados

O contra-golpe é uma reacção súbita que se produz quando o rebolo em movimento, a placa de lixar, a escova ou qualquer outro acessório fica entalado ou torcido, o que provoca o bloqueio repentino do acessório. A ferramenta, que continua a funcionar, é então projectada na direcção oposta ao sentido de utilização do acessório.

Por exemplo, se um disco abrasivo ficar entalado ou torcido na peça a trabalhar, o gume do disco pode encravar-se na superfície da peça a trabalhar, fazendo com que o disco suba ou seja projectado bruscamente. A roda pode saltar para perto ou para longe do operador, dependendo da direcção do movimento da roda no ponto de perfuração. Em caso de contra-golpe, o disco abrasivo também pode quebrar.

Pode ser evitado tendo o cuidado de respeitar certas precauções.

- Mantenha a ferramenta bem firme e coloque o corpo e o braço de modo a poder controlar um eventual contra-golpe.** Se a ferramenta tiver uma pega auxiliar, esta deve ser sempre utilizada para ter um óptimo controlo da ferramenta em caso de contra-golpe ou binário de reacção ao pôr a ferramenta a trabalhar. Tome as disposições necessárias de modo a poder controlar a ferramenta em caso de contra-golpe ou binário de reacção.
- Nunca ponha a mão próximo do acessório em rotação, de modo a evitar qualquer risco de ferimentos graves no caso de contra-golpe.** O acessório pode recuar mais de sua mão.
- Não fique na zona onde a ferramenta pode ser projectada em caso de contra-golpe.** Em caso de contra-golpe, a ferramenta é projectada na direcção oposta ao sentido de rotação do disco.
- Preste uma atenção particular quando trabalha em ângulos, bordos cortantes, etc. Evite fazer derrapar ou entalar o acessório.** Quando trabalhar em ângulos ou bordos cortantes ou quando fizer derrapar a ferramenta, o risco de bloquear o acessório é maior, e por isso de perder o controlo da ferramenta e provocar um contra-golpe.
- Nunca utilize uma lâmina de corte para madeira ou uma lâmina de serra com esta ferramenta.** Estas lâminas aumentam o risco de contra-golpe e de perda de controlo da ferramenta.

INSTRUÇÕES DE SEGURANÇA ADICIONAIS PARA OPERAÇÕES DE CORTE

AVISOS DE SEGURANÇA ESPECÍFICOS PARA AS OPERAÇÕES DE TRITURAÇÃO:

- Utilize exclusivamente tipos de discos recomendados para a sua ferramenta e a protecção específica concebida para o disco seleccionado.** Os discos para os quais a ferramenta não foi concebida não podem ser adequadamente protegidos e implicam um risco.
- A superfície de amolação das rodas centrais rebaixadas tem que ser montada abaixo do plano do lábio de protecção.** Uma roda montada incorrectamente que projecta através do plano do lábio de protecção não pode ser adequadamente protegida.
- A protecção deve estar firmemente presa à ferramenta e posicionada para proporcionar a máxima segurança, de modo a que a menor quantidade de disco fique exposto face ao operador.** A protecção ajuda a proteger o operador dos fragmentos de disco partido e do contacto accidental com o disco e faíscas que possam pegar fogo à roupa.
- Os discos só devem ser usados para as aplicações recomendadas. Por exemplo, não triture com a parte lateral do disco de corte.** Os discos de corte são concebidos para a esmerilação periférica, sendo que as forças laterais aplicadas a esses discos podem fazer com que estilhacem.
- Utilize sempre aletas em boas condições e do tamanho e forma correctos para o disco seleccionado.** As adequadas aletas de disco suportam o disco reduzindo, assim, a possibilidade de este se partir. As aletas dos discos de corte podem ser diferentes das aletas dos discos de trituração.
- Não use discos desgastados de ferramentas eléctricas maiores.** Os discos concebidos para uma ferramenta maior não são adequados para a velocidade mais alta de uma ferramenta mais pequena e podem rebentar.

AVISOS DE SEGURANÇA DA AFIADORA ANGULAR

- Verifique se a velocidade indicada no disco de rebarbar é igual ou superior à velocidade nominal da ferramenta.
- Certifique-se de que o diâmetro do disco de rebarbar é compatível com a ferramenta e que o disco encaixa correctamente no eixo.
- Os discos de rebarbar devem ser arrumados num lugar seco.
- Nunca coloque nenhum objecto sobre os discos.
- Os discos não devem ser utilizados para fins diferentes das operações de rebarbar.
- Os discos devem ser arrumados e manuseados com cuidado, de acordo com as instruções do fabricante.
- Antes de utilizar o disco, confirme que não está rachado



ou fissurado. Se for o caso, o disco pode quebrar, o que pode provocar ferimentos graves.

- h) Certifique-se de que o disco está montado de acordo com as instruções do presente manual.
- i) Certifique-se antes da utilização que o disco está correctamente montado e apertado e em seguida ponha a sua ferramenta a trabalhar em vazio durante 30 segundos dirigindo-a de forma que não apresente nenhum perigo. Pare a sua ferramenta imediatamente se vibrar excessivamente ou se descobrir outros problemas. Se este caso ocorrer, verifique a sua ferramenta para determinar a causa do problema.
- j) Não utilize casquilhos de redução ou adaptadores para reduzir o furo de discos de grande diâmetro de furo.
- k) Verifique se a peça a trabalhar está correctamente segura.
- l) Utilize unicamente discos recomendados por RYOBI.
- m) Certifique-se de que as chispas produzidas pela utilização da ferramenta não criam uma situação perigosa, como por exemplo se não são projectadas sobre pessoas ou substâncias inflamáveis.
- n) Use sempre óculos de protecção e protecções dos ouvidos.
- o) Se necessário, utilize outros equipamentos de protecção, como por exemplo luvas, avental ou capacete.
- p) Nunca ponha a sua ferramenta no chão ou sobre outras superfícies quando estiver em funcionamento. Atenção, o disco gira por inércia durante alguns momentos depois da paragem da ferramenta. Nunca deve tocar no disco, nem colocá-lo no chão ou sobre outras superfícies quando estiver em rotação.
- q) O flange do disco e o flange externo devem ter o mesmo diâmetro externo.
- r) Não utilize a ferramenta para trabalhos para os quais não foi concebida. Nunca utilize fluido de arrefecimento ou água. Não utilize a sua ferramenta como uma ferramenta fixa.
- s) Quando utilizar a sua ferramenta, segure-a firmemente com ambas as mãos.

UTILIZAÇÃO PREVISTA

Corte metais

Não utilize a ferramenta para trabalhos para os quais não foi concebida. O uso da ferramenta eléctrica para as operações diferentes daquelas a que se destina podem causar uma situação perigosa.

MANUTENÇÃO

⚠ AVISO

Nunca efectue nenhum ajuste quando o motor está em funcionamento.

Desligue sempre o cabo de alimentação da tomada antes de mudar peças amovíveis ou descartáveis, de lubrificar a ferramenta ou realizar alguma operação de manutenção.

- Depois da utilização, certifique-se de que a sua ferramenta está em bom estado de funcionamento.
- Recomenda-se de levar a sua ferramenta pelo menos uma vez por ano a um Centro de Serviço Autorizado Ryobi para uma lubrificação e uma limpeza completa.
- Se o cabo de alimentação estiver danificado, deverá ser substituído unicamente pelo fabricante ou por um centro de serviço autorizado para evitar riscos. Contacte o Centro de Serviço Autorizado

⚠ AVISO

Para mais segurança e fiabilidade, todas as reparações devem ser feitas por um Centro de Serviço Autorizado Ryobi.

PROTECÇÃO DO AMBIENTE



Recicle os materiais em vez de pô-los directamente no lixo doméstico. Para proteger o ambiente, a ferramenta, os acessórios e as embalagens devem ser seleccionados.

SÍMBOLOS



Alerta de Segurança



Equipamento de Classe II, isolamento duplo



Por favor, leia atentamente as instruções antes de acender o produto.



Use protecção para os ouvidos



Use protecção para os olhos



Use máscara contra pó.



Não use uma mó lascada, rachada ou com defeito



Não permitido para moagem húmida.
A utilização de água ou de líquidos de arrefecimento pode provocar electrocussões ou choques eléctricos.



Use luvas de segurança



Marca de conformidade EurAsian.



Conformidade CE



Os aparelhos eléctricos antigos não devem ser eliminados juntamente com o lixo doméstico. Recicle onde existem instalações para o efeito. Verifique com as suas Autoridades Locais ou revendedor para obter informações sobre reciclagem.



**⚠ ADVARSEL**

Læs alle advarsler og anvisninger grundigt igennem. Hvis nedenstående forskrifter ikke overholdes, kan der ske uheld og ulykker som brand, elektrisk stød og/eller alvorlige personskader.

Gem vejledningen med advarsler og anvisninger til senere opslag.

VINKELSLIBER SIKKERHEDSADVARSLER**SIKKERHEDSREGLER FOR SLIBE:**

- a) Dette værktøj er beregnet til at blive anvendt som slibe. Læs alle omhyggeligt alle advarsler, anvisninger og specifikationer, som følger med maskinen, og studer illustrationerne. Hvis nedenstående forskrifter ikke overholdes, kan der ske uheld og ulykker som brand, elektrisk stød og/eller alvorlige personskader.
- b) Det kan ikke anbefales at bruge dette elværktøj til fx træslibning, trådbørstning, polering eller afskæring. Hvis denne regel ikke overholdes, kan der ske ulykker, så man kommer alvorligt til skade.
- c) Anvend ikke tilbehør, som ikke er specielt beregnet til dette værktøj, og som ikke anbefales af fabrikanten. Selv om en tilbehørsdel kan monteres på et værktøj, er der ingen garanti for, at det er forsvarligt at bruge værktøjet.
- d) Tilbehørets mærkehastighed skal være lig med eller højere end maksimalhastigheden anført på værktøjet. Hvis tilbehøret anvendes med en hastighed, der er højere end dets mærkehastighed, kan det knække og rive sig løs.
- e) Tilbehørets udvendige diameter og tykkelse skal svare til det for værktøjet specificerede. Hvis tilbehøret ikke svarer til de anførte specifikationer, virker værktøjets sikkerheds- og indstillingssystemer måske ikke efter hensigten.
- f) Tilbehørets monteringsgevind skal passe til slibemaskinens spindelgevind. For tilbehør, der monteres via flanger, skal tilbehørets akselhul passe til flangens referencediameter. Tilbehør, som ikke passer til elværktøjets monteringsudstyr, vil rotere ubalanceret, vibrere kraftigt og kan bevirke, at operatøren mister kontrollen.
- g) Brug aldrig en beskadiget tilbehørsdel. Inden værktøjet bruges, undersøges den anvendte tilbehørsdel: se slibeskiverne efter for revner og skår, slibepuderne for flænger og slitage og metalbørsterne for kraftig slitage og knækkede tråde. Hvis værktøjet eller tilbehøret falder på gulvet, skal alle dele undersøges for skader, og der påmonteres evt. nyt tilbehør. Efter tilbehøret er undersøgt for skader og monteret, holdes afstand til det roterende tilbehør, mens værktøjet kører et minut på fuld hastighed. Hvis tilbehøret er beskadiget, vil det knække under denne test.

- h) Bær personlige værnemidler. Brug beskyttelsesmaske, sikkerheds- eller beskyttelsesbriller afhængig af den pågældende opgave. Om nødvendigt bruges støvmaske, høreværn, handsker og beskyttelsesforklæde som sikring mod løsevne fremmedlegemer (slibeelementer, spåner m.v.). Med beskyttelsesbriller undgår man øjenskader på grund af udslyngede stumper. Støvmasken filtrerer partikler dannet under arbejdet. Hvis man udsættes for kraftig støj i længere tid, kan hørelsen tage skade.
- i) Sørg for at holde tilskuere i god afstand fra arbejdsstedet, og for at få dem til at bruge beskyttelsesudstyr. Alle kommer ind i arbejdsområdet skal bære personlige værnemidler. Stumper fra arbejdsstykket eller et knækket tilbehør kan springe langt væk fra arbejdsstedet og forårsage alvorlige ulykker.
- j) Hold udelukkende værktøjet de isolerede gribesteder ved arbejde på flader, hvor der kan ligge el-ledninger skjult, eller når den strømførende ledning kan komme til at befinde sig i værktøjets arbejdsfelt. Hvis der skæres i en strømførende ledning, kan det gøre udsatte metaldele af maskinværktøjet strømførende og give operatøren elektrisk stød.
- k) Anbring ledningen således, at den ikke kommer i nærheden af det roterende tilbehør. Hvis man mister kontrollen over værktøjet, kan ledningen blive skåret over eller sætte sig fast, og hånden eller armen kan blive trukket hen mod det roterende tilbehør.
- l) Læg ikke værktøjet ned, før tilbehøret står helt stille. Det roterende tilbehør kan gribe fat i fladen, det lægges på, så man mister kontrollen over værktøjet.
- m) Lad ikke værktøjet arbejde, mens det flyttes eller bæres. Det roterende tilbehør kan hænge fast i tøjet og forårsage alvorlige skader.
- n) Rens værktøjets ventilationsåbninger med jævne mellemrum. Motorens ventilation bevirker, at der trænger støv ind i motorkassen, og at der derfor ophobes for mange metalpartikler, som kan forårsage elektrisk stød.
- o) Anvend ikke værktøjet i nærheden af brændbare stoffer. De kan blive antændt af gnister.
- p) Brug ikke tilbehør, som kræver kølemiddel. Hvis der anvendes vand eller flydende kølemiddel, kan man få elektrisk stød, måske livsfarligt.

YDERLIGERE SIKKERHEDSANVISNINGER FOR ALLE OPERATIONER**Tilbageslag ('kickback') og tilhørende advarsler**

Tilbageslag er en pludselig reaktion, som opstår, når den roterende slibeskive, slibepude, børste eller andet tilbehør kommer i klemme eller vrider sig og derefter sætter sig fast. Værktøjet, som arbejder videre, bliver så kastet modsat tilbehørets driftsretning.

Hvis fx. en slibeskive kommer i klemme eller vrider sig i emnet, kan skivens kant trænge ned i emnets overflade,



EN
FR
DE
ES
IT
NL
PT
DA
SV
NO
RU
PL
CS
HU
RO
LV
LT
ET
HR
SL
SK
EL
TR

hvorefter skiven pludselig springer ud af emnet, så værktøjet bliver slynget mod brugeren. Hjulet kan enten hoppe mod eller væk fra operatøren, afhængigt af retning af hjulets bevægelse på det sted, klemmer. Ved tilbageslag kan slibeskiven tilmed knække.

Tilbageslag skyldes altså, at værktøjet bruges forkert, og/eller at fremgangsmåden eller driftsforholdene er uhensigtsmæssige. Det kan undgås, hvis der tages nogle forholdsregler.

- a) **Grib godt fat om værktøjet, og hold kroppen og armen i en stilling, hvor et eventuelt tilbageslag kan kontrolleres.** Hvis værktøjet har et hjælpehåndtag, skal det altid bruges for at kunne styre værktøjet optimalt, hvis der opstår tilbageslag eller et reaktionsmoment, når værktøjet sættes i gang. Tag de nødvendige forholdsregler for at kunne styre værktøjet, hvis der opstår tilbageslag eller et reaktionsmoment ved start.
- b) **Anbring aldrig hånden i nærheden af det roterende tilbehør for ikke at komme alvorligt til skade i tilfælde af tilbageslag.** Tilbehør kan tilbageslag over din hånd.
- c) **Stå ikke i det område, hvor værktøjet kan blive slynget hen i tilfælde af tilbageslag.** Hvis der opstår tilbageslag, bliver værktøjet kastet modsat skivens omdrejningsretning.
- d) **Vær særlig opmærksom ved bearbejdning af hjørner, skarpe kanter o.l.** Undgå, at tilbehøret skrider eller bliver klemt fast. Ved bearbejdning af hjørner eller skarpe kanter eller hvis værktøjet kommer til at skride, er der større risiko for, at tilbehøret sætter sig fast og altså for at miste kontrollen over værktøjet, så der opstår tilbageslag.
- e) **Brug aldrig skæreklinger til træ eller savklinger med dette værktøj.** Den slags klinger øger risikoen for tilbageslag og for at miste kontrollen over værktøjet.

anvendelsesformål. Man må fx ikke slibe med siden af skærehjulet. Abrasive skærehjul er beregnet til periferislibning; hjulene kan begynde at ryste, hvis de udsættes for sidekræfter.

- e) **Brug altid uskadede hjulflanger med korrekt størrelse og form i forhold til det valgte hjul.** Ordentlige hjulflanger understøtter hjulet og reducerer dermed faren for, at hjulet knækker. Flanger til skærehjul kan være forskellige fra slibehjulsflanger.
- f) **Brug ikke udslidte hjul fra større elværktøjer.** Hjul beregnet til større elværktøjer er uegnede til de højere hastigheder på mindre værktøjer og risikerer at knække.

VINKELSLIBER SIKKERHEDSADVARSLER

- a) Se efter, om hastigheden anført på slibeskiven er den samme som eller højere end værktøjets mærkehastighed.
- b) Undersøg, om slibeskivens diameter passer til værktøjet og slibeskiven til akslen.
- c) Slibeskiver skal opbevares tørt.
- d) Læg ikke genstande oven på slibeskiverne.
- e) Slibeskiverne må ikke anvendes til andre formål end slibearbejde.
- f) Slibeskiverne skal håndteres forsigtigt og opbevares efter fabrikantens anvisninger.
- g) Inden slibeskiven tages i brug, skal den ses efter for revner og brud. Hvis slibeskiven er revnet eller skåret, kan den knække og forårsage alvorlige ulykker.
- h) Se efter, om slibeskiven er monteret efter anvisningerne i denne brugervejledning.
- i) Inden brug kontrolleres, at slibeskiven er monteret rigtigt og forsvarligt fastspændt, og derefter startes værktøjet i tomgang i 30 sekunder, mens det holdes, så det ikke er til fare for nogen eller noget. Stands straks værktøjet, hvis det vibrerer kraftigt eller udviser andre fejl. I så fald undersøges værktøjet for at finde årsagen.
- j) Brug aldrig reduktionsmuffer eller overgangsstykker for at tilpasse slibeskiver med større hul diameter.
- k) Sørg for, at arbejdsstykket er forsvarligt fastholdt.
- l) Brug kun de af RYOBI anbefalede slibeskiver.
- m) Vær opmærksom på, at de under slibearbejdet dannede gnister ikke fremkalder farlige situationer, at de f.eks. ikke kan springe hen på tilskuere eller brændbare stoffer.
- n) Brug altid sikkerhedsbriller og høreværn.
- o) Eventuelt anvendes andet beskyttelsesudstyr som handsker, forklæde eller hjelm.
- p) Læg aldrig værktøjet ned på jorden eller andre flader, mens det er i drift. Pas på! Slibeskiven bliver ved med at dreje rundt, efter værktøjet er slukket, på grund af inertien. Rør aldrig ved slibeskiven, og læg aldrig maskinen ned på jorden eller andre flader, så længe skiven drejer rundt.

EKSTRA SIKKERHEDSINSTRUKTIONER FOR SLIBEARBEJDE

SPECIFIKKE SIKKERHEDSADVARSLER FOR SLIBEARBEJDE:

- a) **Brug kun hjul typer, der er anbefalet til elværktøjet, og brug og den specifikke skærm, der er beregnet til det pågældende hjul.** Hjul, som elværktøjet ikke er beregnet til, kan ikke afdækkes tilstrækkeligt og er derfor usikre at bruge.
- b) **Slibefluden på slibeskiver med nedsænket center skal monteres under skærkantens plan.** En forkert monteret slibeskive, som rager uden for skærkantens plan, kan ikke beskyttes ordentligt.
- c) **Skærmen skal fastgøres ordentligt til elværktøjet og positioneres for maksimal sikkerhed, således at så lille en del af hjulet er blottet for operatøren.** Beskyttelsesskærmen beskytter brugeren mod afknækkede skivesegmenter og utilsigtet kontakt med skiven samt evt. gnister, som kan antænde tøj.
- d) **Hjul må kun bruges til de anbefalede**





- q) Skiveflangen og yderflangen skal have samme udvendige diameter.
- r) Brug kun værktøjet til de formål, det er beregnet til. Brug aldrig kølevæske eller vand. Brug ikke værktøjet fastmonteret.
- s) Når der arbejdes med værktøjet, skal det holdes fast med begge hænder.

TILTÆNKT ANVENDELSESFORMÅL

Slibning metal

Brug kun værktøjet til de formål, det er beregnet til. Brug af elværktøjet i strid med det tiltænkte anvendelsesformål kan medføre farlige situationer.

VEDLIGEHOLDELSE

⚠ ADVARSEL

Der må aldrig foretages justeringer med motoren gående.

Træk altid stikket ud af elnetkontakten inden udskiftning af reserve- eller sliddele og inden smøring eller vedligeholdelse af produktet.

- Efter brug skal værktøjet ses efter.
- Det anbefales at aflevere værktøjet mindst en gang om året på et autoriseret Ryobi serviceværksted for grundig smøring og rensning.
- Hvis strømforsyningskablet beskadiges, skal det udskiftes af producenten eller på et autoriseret servicecenter for at undgå risici. Kontakt autoriseret servicecenter

⚠ ADVARSEL

Af hensyn til brugersikkerheden og drifts-sikkerheden skal reparationer udføres på et autoriseret Ryobi serviceværksted.

MILJØBESKYTTELSE



Råmaterialerne skal genbruges og ikke bortskaffes som almindeligt affald. Af hensyn til miljøet skal redskab, tilbehør og emballage sorteres.

SYMBOLER



Sikkerheds Varsel



Klasse II-udstyr, dobbelt-isolering



Læs venligst vejledningen omhyggeligt inden start af produktet.



Benyt høreværn



Benyt øjenværn



Bær støvmaske.



Undgå at bruge krakelerede, revnede eller defekte slibeskiver



Ikke tilladt til vådslibning. Hvis der anvendes vand eller flydende kølemiddel, kan man få elektrisk stød, måske livsfarligt.



Bær sikkerhedshandsker



EurAsian overensstemmelsesmærke.



CE Overensstemmelse



Elektriske affaldsprodukter bør ikke afskaffes sammen med husholdningsaffald. Genbrug venligst hvor faciliteterne tillader dette. Tjek med din lokale kommune eller forhandler for genbrugsråd.

**⚠ VARNING**

Läs noga alla varningar och alla instruktioner. Underlåtenhet att respektera dessa föreskrifter kan leda till olyckor som brand, elektriska stötar och/eller allvarliga kroppsskador.

Spara dessa varningar och instruktioner för senare behov.

VINKELSLIP SÄKERHETSFÖRESKRIFTER**SÄKERHETSFÖRESKRIFTER FÖR SLIPMASKINER:**

- a) Detta verktyg har konstruerats för att användas som slipmaskin. Läs uppmärksamt alla varningar, instruktioner och specifikationer som bifogas med detta verktyg och studera bilderna. Underlåtenhet att respektera dessa föreskrifter kan leda till olyckor som brand, elektriska stötar och/eller allvarliga kroppsskador.
- b) Aktiviteter som exempelvis sandning, användning av stålborste, polering och kapning är inte rekommenderade att utföra med det här verktyget. Underlåtenhet att följa denna föreskrift kan förorsaka olyckor och allvarliga kroppsskador.
- c) Använd inte tillbehör som inte speciellt konstruerats för detta verktyg och som inte rekommenderas av tillverkaren. Även om ett tillbehör kan monteras på ett verktyg är detta ingen garanti för att du kan använda verktyget helt tryggt.
- d) Tillbehörets nominella hastighet ska vara lika med eller högre än den maximala hastighet som anges på verktyget. Tillbehör som fungerar i en hastighet som är högre än deras nominella hastighet kan brytas av och slungas ut.
- e) Tillbehörets ytterdiameter och tjocklek bör motsvara de karakteristiska som getts för verktyget. Om tillbehören inte motsvarar givna karakteristika, kan det hända att verktygets skyddssystem och inställning inte fungerar normalt.
- f) Gångad montering av tillbehör måste stämma överens med spindelns gångor. För tillbehör som monteras med flänsar måste hålet i tillbehöret stämma överens med diametern på flänsen. Tillbehör som inte stämmer med elverktygets fäste blir obalanserade, vibrerar och kan göra att kontrollen förloras.
- g) Använd inte ett skadat tillbehör. Kontrollera före varje användning att tillbehöret som du använder är i gott skick: kontrollera att slipskivorna inte är kantstötta eller spruckna, att slipdynorna inte är trasiga eller slitna, att håren på metallborstarna inte är för slitna eller avbrutna. Om verktyget eller tillbehöret tappas, kontrollera att ingen del har skadats och montera vid behov ett nytt tillbehör. Efter att ha kontrollerat att tillbehöret är i gott skick och efter att ha monterat det, håll dig på avstånd från det rörliga tillbehöret och låt verktyget gå i

maximal hastighet under en minut. Om tillbehöret är skadat bryts det av under denna kontroll.

- h) Använd personlig skyddsutrustning. Beroende på vad du använder verktyget till bör du använda en skyddsmask, säkerhetsglasögon eller skyddsglasögon. Använd även vid behov en skyddsmask mot damm, hörselskydd, handskar och skyddsförkläde för att skydda dig mot utslungade främmande föremål (slipdelar, träspån, osv.). Skyddsglasögon hindrar att utslungat avfall skadar ögonen. Skyddsmasken mot damm filtrerar partiklar som alstras av det arbete du utför. Långvarig exponering för kraftigt ljud kan leda till hörselörlust.
- i) Håll besökare på ett lämpligt avstånd från arbetsområdet och se till att de använder en skyddsutrustning. Den som kommer in i arbetsområdet måste bära personlig skyddsutrustning. Bitar av arbetsstycket eller ett trasigt tillbehör kan slungas ut från arbetsområdet och förorsaka allvarliga kroppsskador.
- j) Håll i verktyget endast i de isolerade och halksäkra delarna då du arbetar på en yta som kan dölja elektriska ledningar eller då arbetet är sådant att nätsladden kan placeras i verktygets bana. Vid kontakt med en strömförande kabel kan de exponerade delarna på verktyget bli strömförande och ge användaren en elektrisk stöt.
- k) Placera nätsladden så att den är på avstånd från det roterande tillbehöret. Om du förlorar kontrollen över verktyget kan nätsladden skäras av eller kilas fast och din hand eller din arm kan dras emot det roterande tillbehöret.
- l) Lägg aldrig ned verktyget innan tillbehöret stannat helt. Det roterande tillbehöret kan komma i kontakt med ytan det är ställt på och få dig att förlora kontrollen över verktyget.
- m) Ha inte verktyget i gång medan du transporterar det. Det roterande tillbehöret skulle kunna fastna i kläderna och skada dig allvarligt.
- n) Rengör regelbundet verktygets ventilationsöppningar. Motorventilationen gör att damm tränger in i motorhuset, vilket kan förorsaka en extrem anhopning av metallpartiklar och framkalla elektriska stötar.
- o) Använd inte verktyget i närheten av lättantändliga produkter. Gnistor kan antända dem.
- p) Använd inte tillbehör som kräver kylvätskor. Användning av vatten eller kylvätskor kan förorsaka elektriska stötar.

YTERLIGARE SÄKERHETSFÖRESKRIFTER FÖR ALL VERKSAMHET**Återkast och relaterade varningar**

Återslaget är en plötslig reaktion som inträffar då slipskivan som är i rörelse, slipdynan, borsten eller ett annat tillbehör fastnar eller vrids, vilket leder till att tillbehöret snabbt låses fast. Verktyget, som fortsätter att fungera, kastar



då verktyget i motsatt riktning jämfört med tillbehörets användningsriktning.

Om till exempel en slipskiva kläms ihop eller vrids inne i arbetsstycket, kan eggen på skivan tryckas in i arbetsstyckets yta, vilket gör att skivan snabbt går ut ur arbetsstycket och slungas mot användaren. Hjulet kan antingen hoppa mot eller bort från operatören, beroende på riktning av hjulet rörelse på platsen för klämskador. I händelse av återslag kan slipskivan även brytas av.

Det kan undvikas genom att vidta några försiktighetsåtgärder.

- a) **Håll stadigt i verktyget och placera kroppen och armen så att du kan kontrollera ett eventuellt återslag.** Om verktyget har ett hjälphandtag, håll alltid i det för att kunna kontrollera verktyget optimalt i händelse av återslag eller reaktionsmoment vid start av verktyget. Vidta nödvändiga åtgärder för att kunna kontrollera verktyget i händelse av återslag eller reaktionsmoment.
- b) **Ha aldrig handen i närheten av det roterande tillbehöret för att undvika risker för allvarliga kroppsskador vid återslag.** Tillbehör kan kast över din hand.
- c) **Stå inte i det område dit verktyget kan slungas vid återslag.** Vid återslag slungas verktyget i motsatt riktning jämfört med skivans rotation.
- d) **Var speciellt på din vakt då du arbetar i hörn, på vassa kanter, osv. Låt inte tillbehöret slira eller kilas fast.** Då du arbetar i hörn eller på vassa kanter eller då verktyget slirar är risken större att tillbehöret blockeras, att du förlorar kontrollen över verktyget och att ett återslag uppstår.
- e) **Använd aldrig en kapskiva för trä eller en sågklinga med detta verktyg.** Dylåka skivor eller klingor ökar risken för återslag och för att man förlorar kontrollen över verktyget.

YTTERLIGARE SÄKERHETSINSTRUKTIONER FÖR AVSLIPNINGSARBETEN

SÄKERHETSVARNINGAR SOM SPECIFIKT BERÖR SLIPNINGSAKTIVITETER:

- a) **Använd endast skivtyper som rekommenderas till ditt verktyg och använd endast det skydd som är avsett för den valda skivtypen.** Skivor som inte är anpassade för maskinen kan inte skyddas ordentligt och är osäkra att använda.
- b) **Slipytan på det intryckta centrumhjulet ska monteras lägre än planet på skyddet.** Felaktigt monterad skiva som når utanför planet på skyddet skyddas inte.
- c) **Skyddet måste sitta fast ordentligt på verktyget och vara placerat så att det erbjuder maximalt skydd där användaren exponeras för en så liten del av skivan som möjligt.** Skyddet skyddar användaren mot trasiga delar från skivan och vid kontakt med skivan, och gnistor som kan sätta eld på putsduken.

- d) **Skivorna får endast användas till de aktiviteter som de är avsedda för. Exempel: använd inte sidorna på en kapskiva för att slipa.** Abrasiva kapskivor är avsedda för slipning med skivans periferi; om skivorna utsätts för sidokrafter kan de spricka.
- e) **Använd alltid oskadade skivflansar i rätt storlek och form så att de passar den skiva du använder.** Korrekta skivflansar stärker skivan och minskar risken att den går sönder. Flansarna för kapskivor kan vara annorlunda än flansarna för slipskivor.
- f) **Använd inte nedslitna skivor från större maskiner.** Skivor som är avsedda för större och kraftigare elverktyg är inte lämpade för ett mindre verktygs höga hastighet och kan sprängas sönder.

VINKELSLIP SÄKERHETSFÖRESKRIFTER

- a) Kontrollera att hastigheten som anges på slipskivan är lika hög eller högre än verktygets nominella hastighet.
- b) Försäkra dig om att slipskivans diameter är förenlig med verktyget och att slipskivan fogas in korrekt i axeln.
- c) Slipskivorna skall förvaras på en torr plats.
- d) Placera inget föremål på slipskivorna.
- e) Slipskivorna får inte användas för andra arbeten än slipning.
- f) Slipskivorna måste ställas undan och hanteras med varsamhet, enligt tillverkarens anvisningar.
- g) Kontrollera före användning av slipskivan att den inte är kantstött eller sprucken. Om det är fallet kan slipskivan brytas av, vilket kan försäkra allvarliga kroppsskador.
- h) Försäkra dig om att slipskivan har monterats enligt instruktionerna i denna bruksanvisning.
- i) Kontrollera före användning att slipskivan är rätt monterad och åtdragen och ha verktyget att gå på tomgång i 30 sekunder inriktat på ett sådant sätt att det inte innebär någon fara. Stanna verktyget omedelbart om det vibrerar extremt mycket eller om du konstaterar andra problem. Inspektera i så fall verktyget för att fastställa orsaken till problemet.
- j) Använd inte reduktionsringar eller mellanlägg för att minska innerdiametern i slipskivor med stor diameter.
- k) Kontrollera att arbetsstycket är ordentligt fastspänt.
- l) Använd endast slipskivor som rekommenderats av RYOBI.
- m) Försäkra dig om att gnistor som alstras vid användning av verktyget inte skapar en farlig situation. De får till exempel inte slungas mot personer eller lättantändliga ämnen.
- n) Kom ihåg att alltid använda skyddsglasögon och hörselskydd.
- o) Använd vid behov även andra skydd, som till exempel handskar, förkläde eller hjälm.
- p) Lägg aldrig ned verktyget på golvet eller andra ytor, när det är i gång. Lägg märke till att slipskivan fortsätter att rotera en stund efter att verktyget stängts av. Rör aldrig vid slipskivan och lägg inte ned den på golvet eller på



andra ytor medan den roterar.

- q) Slipskivans fläns och den yttre flänsen skall ha samma ytterdiameter.
- r) Använd verktyget endast för arbeten till vilka det är anpassat. Använd aldrig kylmedel eller vatten. Använd inte verktyget som ett fast verktyg.
- s) Håll stadigt i verktyget med båda händerna när du använder det.

ANVÄNDNINGSMÅL

Avslipning metaller

Använd verktyget endast för arbeten till vilka det är anpassat. Användning av el-verktyget för andra områden än de avsedda kan resultera i en riskfylld situation.

UNDERHÅLL

⚠ VARNING

Utför ingen inställning medan motorn är i gång. Koppla alltid ur strömledningen innan du byter ut en borttagningsbar eller expanderbar del, innan du smörjer och innan du arbetar på enheten.

- Försäkra dig om att verktyget är i gott skick efter avslutad användning.
- Vi rekommenderar att lämna in verktyget för smörjning och komplett rengöring på en godkänd serviceverkstad, minst en gång per år.
- För att minska risken får en skadad strömledning endast repareras av tillverkaren eller ett auktoriserat servicecenter. Kontakta ett auktoriserat servicecenter

⚠ VARNING

Av säkerhetsskäl är det viktigt att alla reparationer utförs på en serviceverkstad som auktoriserats av Ryobi.

MILJÖSKYDD



Råmaterialen ska återvinnas i stället för att kastas i hushållsavfallet. För att skona miljön ska verktyget, tillbehören och emballagen sorteras.

SYMBOLER



Säkerhetsvarning



Klass II-utrustning, dubbelisolering



Läs alla instruktioner noggrant innan du startar produkten.



Bär hörselskydd.



Använd skyddsglasögon



Använd dammskydd.



Använd aldrig hackade, spruckna eller defekta slipskivor



Inte tillåten för våtslipning. Användning av vatten eller kylvätskor kan förorsaka elektriska stötar.



Bär säkerhetshandskar



EurAsian överensstämmelsesymbol.



CE-konformitet



Gamla elektroniska produkter ska inte kastas med hushållssoporna. Återvinn där sådana faciliteter finns. Kontrollera med din lokala myndighet eller säljaren för att få återvinningsstips.

**VAROITUS**

Lue kaikki varoitukset ja ohjeet huolellisesti. Näiden ohjeiden laiminlyönti voi aiheuttaa onnettomuuksia kuten tulipalon, sähköiskun ja/tai vakavia ruumiinvammoja.

Säilytä nämä varoitukset ja ohjeet myöhemmä tarvetta varten.

**KULMAHIOMAKONE
TURVALLISUUSVAROITUKSET****HIOMAKONEITA KOSKEVAT TURVAOHJEET:**

- a) Tämä työkalu on suunniteltu käytettäväksi hiomakoneena. Lue tarkkaavaisesti kaikki tämän työkalun kanssa toimitetut varoitukset, ohjeet ja spesifikaatiot, ja katso lisäksi kuvat. Seuraavassa esitettyjen ohjeiden laiminlyönnistä saattaa olla seurauksena onnettomuuksia kuten tulipalot, sähköiskut ja/tai vakavia kehon vammoja.
- b) Sähkötyökalulla ei suositella suoritettavan sellaisia toimintoja kuten hiominen, teräsharjaukset, kiillotus ja leikkuu. Tämän ohjeen laiminlyönnistä saattaa olla seurauksena onnettomuuksia ja vakavia kehon vammoja.
- c) Älä käytä lisälisävarusteita, joita ei ole suunniteltu juuri tälle työkalulle ja joita valmistaja ei suosittele. Vaikka lisälisävarusteen voi mahdollisesti asentaa työkaluun, tämä ei takaa, että työkalua voi käyttää täysin turvallisesti.
- d) Lisävarusteen nimellisa nopeuden on oltava sama tai korkeampi kuin lisävarusteelle mainittu maksiminopeus. Yli nimellisa nopeudella käytetyt lisävarusteet saattavat rikkoutua ja joutuvat hylätyiksi.
- e) Lisävarusteen ulkohalkaisijan ja paksuuden on vastattava työkalun ilmoitettuja ominaisuuksia. Ellei lisävarusteiden ominaisuudet vastaa annettuja ominaisuuksia, työkalun suoja- ja säätöjärjestelmä elleivät voi toimia oikein.
- f) Lisälaitteiden asennuskierteiden on vastattava hiomakoneen karan kierteitä. Jos lisälaitteessa on asennuslaipat, sen tuurnareian on vastattava laipan asennushalkaisijaa. Lisälaitteet, jotka eivät vastaa sähkötyökalun kiinnityksiä, joutuvat epätasapainoon, tärisevät liikaa ja voivat riistää laitteen hallinnasta.
- g) Älä käytä voittuneita lisävarusteita. Tarkista ennen jokaista käyttöä, että käyttämäsi lisävaruste on hyväkuntoinen: varmista, että hiontalaitteen reunat ovat ehjät eikä siinä ole halkeamia ja etteivät kengät eivät ole repeytyneet tai kuluneet, ettei metalliharjojen harjakset ole liian kuluneet tai katkeilleet. Jos sähkötyökalu tai lisävaruste putoaa, tarkista, ettei se ole vioittunut, tai vaihda lisävarusteen tilalle vioittumaton laite. Kun olet todennut lisävarusteen hyvän kunnon ja kun olet asentanut sen, pysy loitolla liikkuvasta lisävarusteesta sallien työkalun saavuttaa maksiminopeuden minuutin aikana. Jos lisävaruste

on viallinen, se särkyä tämän kokeen aikana.

- h) Käytä henkilökohtaisia suojavarusteita. Sen mukaan, mihin käytät työkalua, pidä suojaanamaaria, turva- tai suoja-laseja. Pidä tarvittaessa pölynsuojaanamaaria, kuulosuojaimia, suojakäsineitä ja suojaesiliinaa kaikkia ulkoisten kappaleiden sinkoamista vastaan (hankaavat kappaleet, puun lastut jne.). Suojalasi estävät lentäviä jätetalasia vahingoittamasta silmiä. Pölynsuojaanamaareilla voidaan suodattaa käytetyssä työssä syntyneet hiukkaset. Pitkäaikaisesta altistuksesta kovalle melulle saattaa aiheutua kuulon huononeminen.
- i) Pidä vieraat hyvin loitolla työalueesta ja huolehdi, että heillä on suoja-lisävarusteet. Jokaisella, joka tulee työalueelle on käytettävä henkilökohtaisia suojavarusteita. Työstettävistä kappaleista tai rikkoutuneesta välineestä saattaa singota palasia työalueen ulkopuolellekin aiheuttaen vakavia vammoja.
- j) Pidä työkalusta kiinni vain eristetyistä luistamattomista osista työskennellessäsi pinnalla, joka saattaa katkeaa sähköjohtoja tai milloin vaadittu työ edellyttää mahdollisesti sähköjohtoa asettamista työkalun liikeradalle. Jos leikkuri koskettaa sähköistettyä johtoa, työkalun metalliosat voivat sähköistyä ja aiheuttaa käyttäjälle sähköiskun.
- k) Aseta virtajohto niin, että se on kaukana laitteen pyöriävästä osasta. Jos menetät työkalun hallinnan, virtajohto saattaa katketa tai kiertä käteen tai käsivarsi saattaa joutua pyöriävään terään.
- l) Älä laske työkalua koskaan kädestäsi ennen kuin lisävaruste on kokonaan pysähtynyt. Pyörivä lisävaruste saattaa koskettaa pintaa, jolle se lasketaan ja menetät laitteen hallinnan.
- m) Älä käynnistä työkalua sitä kuljetettaessa. Pyörivä lisävaruste saattaa takertua vaatteisiisi ja aiheuttaa vakavan vamman.
- n) Puhdista säännöllisesti työkalun puhallinaukot. Moottorin puhallin imee pölyä moottorin kuoren sisään, mistä saattaa johtua metallihiukkasten liiallinen kertyminen aiheuttaen sähköiskuja.
- o) Älä käytä laitetta syytyvien aineiden läheisyydessä. Kipinät saattavat syyttää ne.
- p) Älä käytä lisävarusteita, jotka tarvitsevat jäähditys-nesteitä. Vesi tai jäähditys-nesteet voivat aiheuttaa sähkösurman tai sähköiskun.

MUITA TURVAOHJEITA KAIKKIIN TOIMIIN**Takapotku ja siihen liittyvät varoitukset**

Pomppaus on äkillinen reaktio, kun liikkeessä oleva hiomalaikka, kenkä, harja tai jokin muu lisävaruste tarttuu kiinni tai vääntyy, mikä aiheuttaa lisälaitteen äkillisen jumitumisen. Edelleen käynnissä oleva työkalu linkoaa tällöin lisälaitteen liikkeensä vastakkaiseen suuntaan.

Esimerkiksi, jos hiomalaikka jumiuu tai puristuu kiinni työ-kappaleeseen, se laikan reunan kohta, joka koskettaa jumittumiskohtaa, voi kaivautua materiaalin pintaan,



jolloin laikka kiipeää ulos tai ponnahtaa käyttäjää kohden. Pyörän voi joko hypätä kohti tai pois päin käyttäjästä riippuen suunnasta pyörän liikkeen paikassa puristimilla. Hiomalaikka saattaa myös hajjeta pomppauksen seurauksena.

Sen voi välttää erällä varotoimenpiteillä:

- Pidä tukevasti kiinni työkalusta ja pidä vartalosi ja käsivarret niin, että voit hallita mahdollisen pomppauksen.** Jos työkalussa on lisäkahva, pidä aina siitä kiinni parhaan hallinnan saamiseksi pomppauksen sattuessa tai työkalun käynnistyksessä syntyvälle reaktioääntömomentille. Suorita tarvittavat toimenpiteet voidaksesi hallita työkalun pomppauksen tai käynnistysreaktion sattuessa.
- Älä vie koskaan kättä pyörivän lisävarusteen lähelle vakavien kehonvammojen välttämiseksi pomppauksen sattuessa.** Lisälaite voidaan takapotkun aikana kättesi.
- Älä asetu paikkaan, mihin työkalu mahdollisesti sinkoaa pomppauksen sattuessa.** Työkalu sinkoaa pomppauksessa laikan pyörimissuunnan vastaiseen suuntaan.
- Ole erikoisen valpas työstäessäsi särmiä, teräviä reunoja jne. Vältä lisävarusteen luisumista tai jumittumista.** Kun työskentelet särmillä tai terävillä reunoilla tai jos työkalu pääsee luiskahtamaan, on sen jumitumisvaara suurempi. Tällöin saatat menettää työkalun hallinnan ja aiheuttaa pomppauksen.
- Älä käytä koskaan puun katkaisuterää tai puun sahausterää tällä työkalulla.** Sellaisilla terillä on suurempi pomppausvaara ja työkalun hallinnan menetyks.

MUITA TURVALLISUUSOHJEITA HIONNALLE

ERITYISESTI HIOMISTA KOSKEVIA TURVALLISUUSOHJEITA:

- Käytä ainoastaan sähkötyökalulle suositeltuja laikkoja ja kyseiselle laikalle tarkoitettua suojusta.** Muita kuin sähkötyökalulle tarkoitettuja laikkoja ei voi suojata asianmukaisesti, ja ne ovat vaarallisia.
 - Keskeltä koverien laikkojen hiomapinta on asennettava suojuksen tason alapuolelle.** Virheellisesti asennettua laikkaa, joka ulottuu suojuksen tason ulkopuolelle, ei voida suojata riittävästi.
 - Suojan on oltava tukevasti kiinnitetty sähkötyökaluun ja sijoitettu siten, että se tekee laitteesta mahdollisimman turvallisen ja että käyttäjän puolella on mahdollisimman vähän paljasta laikkaa.** Suoja suojelee käyttäjää irronneilta laikan osasilta ja estää häntä koskettamatta vahingossa laikkaa tai kipinöitä, jotka voisivat sytyttää vaatteet.
 - Laikkoja saa käyttää ainoastaan niille tarkoitettuun käyttötarkoitukseen.** Älä esimerkiksi hio katkaisulaikan sivulla. Katkaisulaikat on tarkoitettu käytettäväksi siten, että hionta suoritetaan niiden ulkokehällä; niihin kohdistuvat sivuttaisrasitukset voisivat murtaa ne.
- Käytä aina kunnossa olevia laikan laippoja, jotka vastaavat valitun laikan kokoa ja muotoa.** Asianmukaiset laipat tukevat laikkaa ja pienentävät siten mahdollisuutta, että laikka rikkoutuu. Katkaisulaikkojen laipat voivat poiketa hiomalaikkojen laipoista.
 - Älä käytä suurempien sähkötyökalujen kuluneita laikkoja.** Suuremmille sähkötyökaluille tarkoitetut laikat eivät sovi suuremmille nopeuksille tai pienempiin laitteisiin, sillä ne voivat revetä.

KULMAHIOMAKONE TURVALLISUUSVAROITUKSET

- Tarkista, että tasoitushiomalaikassa oleva nopeus on tasan tai yli työkalun nimellinopeuden.
- Varmista, että tasoitushiomalaikan mitat sopivat työkalulle ja että se soveltuu akselille.
- Tasoitushiomalaikat on varastoitava kuivaan tilaan.
- Älä aseta mitään hiomalaikkojen päälle.
- Hiomalaikkoja ei saa käyttää muuhun tarkoitukseen kuin hiomatöihin.
- Hiomalaikkojen varastointi ja käsittely on tehtävä suurta varovaisuutta noudattaen, valmistajan ohjeiden mukaisesti.
- Varmista ennen käyttöä, ettei hiomalaikassa ole säröjä tai halkeamia. Laikka voi rikkoutua, mikäli säröjä ja halkeamia on ja seurauksena on vakavia ruumiinvammoja.
- Varmista, että hiomalakka on asennettu tässä käsikirjassa annettujen ohjeiden mukaisesti.
- Varmista ennen käyttöä, että hiomalaikka on oikein asennettu ja kiristetty ja käytä sitten työkalua tyhjäkäynnillä 30 sekuntia kohdistuen sen niin, ettei se osoittaudu vaaralliseksi. Sammuuta työkalu välittömästi, mikäli liiallista värinää ilmaantuu tai havaitset muita vikoja. Tässä tapauksessa, tarkista työkalu mahdollisen vian aiheuttajan löytämiseksi.
- Älä käytä erillisiä pelkistinrenkaita tai sovitimia isomman kaliiberin omavien hiomakiekköjen sovitamiseksi.
- Tarkista, että työkalu pysyy oikein paikallaan.
- Käytä vain suositeltuja RYOBI-hiomakiekköjä.
- Varmista, ettei työkalusta lähtevät kipinät aiheuta vaaratilanteita, esim. etteivät ne lennä kohti henkilöitä tai tulenarkoja aineita.
- Pidä aina suolaseja ja kuulonsuojaimia.
- Tarvittaessa, käytä muita suojarusteita kuten käsineitä, suojaesiliinoja tai kypärää.
- Älä koskaan laske työkalua maahan tai muulle pinnalle kun se on käynnissä. Hiomalaikka jatkaa pyörimistä inertiaan avulla työkalun sammutuksen jälkeen. Älä koskaan kosketa hiomalaikkaan, äläkä aseta sitä maahan tai muulle pinnalle kun se pyörii.
- Hiomalaikan laipan ja ulkolaipan ulkohalkaisijoiden on oltava samat.
- Älä käytä työkalua muihin kuin sille tarkoitettuihin



sovelluksiin. Älä koskaan käytä jäähdytysnestettä tai vettä. Älä käytä työkalua kiinteän työkalun tapaan.

s) Kun käytät työkalua, pidä sitä tukevasti kaksin käsin.

KÄYTTÖTARKOITUS

Hionta metallit

Älä käytä työkalua muihin kuin sille tarkoitettuihin sovelluksiin. Sähkötyökalun käyttö muuhun kuin sille tarkoitettuun työhön voi aiheuttaa vaarallisia tilanteita.

HUOLTO

VAROITUS

Älä tee säätöjä moottorin käydessä.

Irrota virtajohto aina pistorasiasta ennen irrotettavien tai vaihdettavien osien vaihtoa sekä yksikön voitelua ja huoltoa.

- Varmista käytön jälkeen, että työkalu on hyvässä kunnossa.
- On suositeltavaa, että työkalu viedään vähintään kerran vuodessa valtuutettuun Ryobi-huoltokeskukseen voitelua ja puhdistusta varten.
- Jos virtajohto vioittuu, se on vaihdettava ainoastaan valmistajalla tai valtuutetussa huollossa, jotta vältetään vaaroilta. Ota yhteys valtuutettuun huoltoon

VAROITUS

Lisäturvallisuuden ja luotettavuuden takaamiseksi kaikki korjaustyöt on annettava valtuutetun Ryobi-huoltokeskuksen tehtäväksi.

YMPÄRISTÖNSUOJELU



Älä hävitä raaka-aineita jätteinä vaan vie ne kierrätykseen. Ympäristönsuojelun kannalta työkalu, lisävarusteet ja pakkausmateriaali on lajiteltava.

SYMBOLIT



Turvavaroitus



Luokan II laite, kaksoiseristys



Lue ohjeet huolella ennen laitteen käyttöä.



Käytä kuulosuojaimia



Käytä suojalaseja



Käytä pölynaamaria.



Älä käytä lohkeilleita, haljenneita tai viallisia hiomalaikkoja



Märkähionta ei ole sallittu. L'utilisation d'eau ou de liquides de refroidissement peut causer des électrocutions ou des chocs électriques.



Käytä suojakäsineitä



EurAsian-vaatimustenmukaisuusmerkki.



CE-vastaavuus



Käytöstä poistettavia sähkölaitteita ei pidä hävittää talousjätteiden mukana. Ne on mahdollisuuksien mukaan pantava kiertoon. Kierrätysohjeita antavat kunnan viranomaiset ja vähittäiskauppiat.

**⚠ ADVARSEL**

Les nøye gjennom alle advarslene og instruksene. Hvis forskriftene nedenfor ikke overholdes, kan det forårsake ulykker som brann, elektrisk støt og/eller alvorlige personskader.

Ta vare på disse advarslene og instruksene for å se i dem senere.

SIKKERHETSADVARSEL FOR VINKELSLIPER**SIKKERHETSFRSKRIFTER FOR SLIPEMASKINER:**

- Dette verktøyet er beregnet til å brukes som slipemaskin. Les nøye gjennom alle advarslene, instruksene og spesifikasjonene som følger med verktøyet, og se på tegningene.** Hvis forskriftene nedenfor ikke overholdes, kan det forårsake ulykker som brann, elektrisk støt og/eller alvorlige personskader.
- Arbeidsoppgaver som sliping, stålborsting, polering eller kapping anbefales ikke utført med dette verktøyet.** Hvis denne forskriften ikke overholdes, kan det forårsake ulykker og alvorlige personskader.
- Bruk ikke tilbehør som ikke er spesialkonstruert for dette verktøyet og som ikke er anbefalt av produsenten.** Selv om et tilbehør kan monteres på et verktøy, garanterer det ikke at du kan bruke det verktøyet på en sikker måte.
- Tilbehørets nominelle hastighet skal være lik eller høyere enn maksimalhastigheten som står på verktøyet.** Tilbehørene som brukes i høyere hastighet enn sin nominelle hastighet kan brytes og slynges ut.
- Tilbehørets ytre diameter og tykkelse skal svare til egenskapene som spesifiseres for verktøyet.** Hvis tilbehørene ikke svarer til de angitte egenskapene, kan ikke verktøyet beskyttelses- og innstillingssystemer virke ordentlig.
- Ved montering av tilleggsutstyr med gjenger må du sjekke at utstyret har samme gjenger som akselens gjenger. Monteres tilleggsutstyr med flens, må festehullet på utstyret ha samme diameter som det på flensen.** Tilleggsutstyr som ikke passer i festene på elektroverktøyet vil gå ut av balanse og vibrere veldig, og det kan føre til kontrolltap.
- Bruk ikke et skadet tilbehør. Før hver bruk, skal det sjekkes at tilbehøret du bruker er i god stand: Påse at slipeskivene ikke er sprukket eller ødelagt, at sliperondellene ikke er revnet eller slitt, at busten på metallbørstene ikke er altfor slitt eller brukket. Hvis verktøyet eller tilbehøret faller, skal du kontrollere at ingenting er skadet og, om nødvendig, installere nytt tilbehør. Etter at du har kontrollert at tilbehøret er i god stand og installert det, skal du holde deg på avstand fra det bevegelige tilbehøret og la verktøyet komme opp i maksimal hastighet i ett minutt.** Hvis tilbehøret er skadet, vil det brytes under denne testen.
- Bruk Personlig verneutstyr. Alt etter hva du bruker verktøyet til, skal du bruke beskyttelsesmaske,**

sikkerhetsbriller eller vernebriller. Bruk om nødvendig støvmaske, hørselsvern, hansker og beskyttelsesforkle for å beskytte deg mot utslynging av fremmedlegemer (slipeavfall, trespon, osv.). Vernebriller hindrer at partikler slynges ut og skader øynene dine. Støvmaske filtrerer partiklene som dannes ved arbeidsoppgaven din. Langvarig eksponering for sterkt støy kan svekke hørselen.

- Hold besøkende i god avstand fra arbeidsområdet og påse at de har verneutstyr på seg. Alle som kommer inn i arbeidsområdet må bruke personlig verneutstyr.** Små elementer fra arbeidsstykket eller et brukket tilbehør kan slynges ut utenfor arbeidsområdet og forårsake alvorlige kroppsskader.
- Hold verktøyet kun i de isolerte og sklisikre delene når du arbeider på en flate som kan skjule elektriske ledninger eller når arbeidet kan plassere ledningen i verktøyet bane.** Skjæreredskap som får kontakt med strømførende elektriske ledninger kan føre til at metalldelene på verktøyet blir strømførende og at brukeren kan få støt.
- Posisjoner ledningen slik at det ligger unna det roterende tilbehøret.** Hvis du mister kontroll over verktøyet, kan ledningen kuttes eller kile seg fast og hånden eller armen din kan da trekkes mot det roterende tilbehøret.
- Legg aldri fra deg verktøyet før tilbehøret har sluttet helt å rotere.** Det roterende tilbehøret kan komme i kontakt med underlaget det står på og få deg til å miste kontroll over verktøyet.
- Ikke la verktøyet gå når du frakter det.** Det roterende tilbehøret kan henge seg fast i klærne dine og skade deg alvorlig.
- Rengjør regelmessig verktøyet ventilasjonsspalter.** Motorens ventilasjon får støv til å komme inn i motorhuset, noe som kan medføre altfor stor oppsamling av metallpartikler og forårsake elektrisk støt.
- Bruk ikke verktøyet i nærheten av brannfarlige produkter.** Gnister kan sette fyr i dem.
- Bruk ikke tilbehør som krever kjølevæsker.** Bruken av vann eller kjølevæsker kan forårsake elektrisk støt, som kan være livsfarlig.

YTTERLIGERE SIKKERHETSINSTRUKSJONER FOR ALLE OPERASJONER**Tilbakeslag og relaterte advarsler**

Tilbakeslag er en plutselig reaksjon som oppstår når den bevegende slipeskiven, sliperondellen, børsten eller et annet tilbehør klemmes fast eller vris, noe som raskt får tilbehøret til å låses fast. Verktøyet blir da slynget ut i motsatt retning til tilbehørets bruksretning.

Hvis for eksempel en slipeskive klemmes eller vris i arbeidsstykket, vil skivens skarpe del trenge inn i arbeidsstykkets overflate, noe som vil få skiven til å klatre ut eller slå tilbake. Hjulet kan enten hoppe mot eller bort fra operatøren, avhengig av retning hjulet beveges på punktet



av knipe. I tilfelle tilbakeslag, kan slipeskiven også brykkes. Det kan unngås ved å ta visse forholdsregler:

- a) **Hold godt i verktøyet og still kroppen og armen din slik at du kan kontrollere et eventuelt tilbakeslag.** Hvis verktøyet har et støttehåndtak, skal du alltid holde i det så du får optimal kontroll over verktøyet i tilfelle tilbakeslag eller reaksjonskraft når verktøyet startes. Ta nødvendige foranstaltninger så du kan kontrollere verktøyet ditt i tilfelle tilbakeslag eller reaksjonskraft.
- b) **Legg aldri hånden din i nærheten av det roterende tilbehøret for å unngå all fare for kroppsskader i tilfelle tilbakeslag.** Tilbehøret kan kast over hånden din.
- c) **Ikke still deg i området der verktøyet kan risikere å slynges ut i i tilfelle tilbakeslag.** I tilfelle tilbakeslag slynges verktøyet ut i motsatt retning til skivens rotasjonsretning.
- d) **Vær spesielt forsiktig når du arbeider på hjørner, skarpe kanter, osv. Unngå at tilbehøret glir eller kiles fast.** Når du arbeider på hjørner eller skarpe kanter eller når verktøyet glir, er det større fare for at tilbehøret låses fast, og dermed at du mister kontroll over verktøyet og at det oppstår tilbakeslag.
- e) **Bruk aldri blad til kjedesag eller sagblad sammen med dette verktøyet.** De kan øke faren for tilbakeslag og tap av kontroll over verktøyet.

YTTERLIGERE SIKKERHETSINSTRUKSJONER FOR SLIPEOPERASJONER

SIKKERHETSADVARSLER SPESIFIKT FOR SLIPEARBEIDER:

- a) **Brukl kun hjul typer er anbefalt for dette verktøyet og en spesifikk skjerm som er utformet for det valgte verktøyet.** Hjul som verktøyet ikke er konstruert for kan ikke beskyttes i tilstrekkelig grad og vil derfor kunne være utrygge.
- b) **Slipeoverflaten på hjul som er presset inn på midten må være montert under flaten til vernekanten.** Et feilmontert hjul som stikker utenfor vernekanten kan ikke beskyttes riktig.
- c) **Skjemen må være godt festet til verktøyet og posisjonert for maksimum sikkerhet slik at minst mulig av hjulet eksponeres mot brukeren.** Vernet beskytter operatøren mot avbrukne hjulfragmenter og utilsiktet kontakt med hjul og gnister som kan antenne klær.
- d) **Hjul må kun benyttes til anbefalte applikasjoner. For eksempel må du ikke slippe med kanten på et kappehjul.** Slipende kappeskiver er ment for periferisliping, når disse hjulene utsettes for sidekrefter kan det oppstå splintring.
- e) **Bruk alltid ubeskadigede hjulfenser som har korrekt størrelse og form for det valgte hjulet.** Korrekt hjulfens støtter hjulet og reduserer dermed muligheten for at hjulet skal brykkes. Fenser for kappehjul kan skille seg fra fenser for slipehjul.

- f) **Ikke bruk nedslitte hjul fra større elektrisk verktøy.** Hjul er ment for større verktøy egner seg ikke for de små verktøyenes høyere hastighet og kan gå i oppløsning.

SIKKERHETSADVARSEL FOR VINKELSLIPER

- a) Sjekk at hastigheten som angis på slipeskiven er lik eller større enn verktøyets nominelle hastighet.
- b) Sjekk at slipeskivens diameter passer til verktøyet og at slipeskiven er lagt godt inn på spindelen.
- c) Slipeskivene skal ryddes bort på et tørt sted.
- d) Ikke legg noen gjenstand på slipeskivene.
- e) Slipeskivene skal ikke brukes til andre formål enn slipeoppgaver.
- f) Slipeskivene skal ryddes og håndteres forsiktig, i samsvar med fabrikantens instruksjoner.
- g) Før du bruker slipeskiven, se etter at den ikke er ødelagt eller sprukket. I så fall kan den nemlig brykkes, noe som kan forårsake alvorlige kroppsskader.
- h) Se etter at slipeskiven er montert i samsvar med instruksjonene i denne bruksanvisningen.
- i) Påse før bruk at slipeskiven er riktig montert og skrudd fast, og la verktøyet gå i tomgang i 30 sekunder samtidig som du passer på at det ikke peker i en farlig retning. Stopp verktøyet øyeblikkelig dersom det vibrerer for mye eller hvis du merker andre problemer. Kontroller i så fall verktøyet for å finne ut problemets årsak.
- j) Bruk ikke reduksjonsringer eller mellomstykker for å redusere senterhullet til slipeskiver som har stort senterhull.
- k) Se etter at arbeidsstykket er skikkelig fastspent.
- l) Bruk kun slipeskiver som anbefales av RYOBI.
- m) Sjekk at gnistene som oppstår ved bruk av verktøyet ikke skaper farlige situasjoner, for eksempel at de ikke kommer på mennesker eller brannfarlige stoffer.
- n) Bruk alltid beskyttelsesbriller og hørselsvern.
- o) Om nødvendig, bruk andre verneutstyr som hansker, forkle eller hjelm.
- p) Legg aldri verktøyet på gulvet eller på andre flater når det er i gang. Pass opp, slipeskiven går rundt av seg selv etter at verktøyet har stanset. Du må aldri verken ta i slipeskiven eller legge den på gulvet eller andre overflater når den går rundt.
- q) Slipeskivens sidestykke og ytre sidestykke må ha samme diameter.
- r) Bruk verktøyet kun til de arbeidsoppgavene som det er konstruert for. Bruk aldri kjølevæske eller vann. Bruk ikke verktøyet som et stasjonært verktøy.
- s) Når du bruker verktøyet, hold godt i det med begge hender.

TILTENKT BRUK

Sliping metaller





Bruk verktøyet kun til de arbeidsoppgavene som det er konstruert for. Bruk av elektrisk verktøy på en måte det ikke var tiltenkt kan skape farlige situasjoner.

VEDLIKEHOLD

⚠ ADVARSEL

Det skal ikke foretas noen innstilling mens motoren går. Always disconnect the power cord from the socket before changing removable or expendable parts, before lubricating or working on the unit.

- Etter bruk skal det sjekkes at verktøyet er i god arbeidsstand.
- Det anbefales å bringe verktøyet minst en gang i året til et godkjent Ryobi serviceverksted for grundig rengjøring og smøring.
- Hvis strømledningen skades må den kun erstattes av produsenten eller et autorisert servicesenter for å unngå risiko. Kontakt et autorisert servicesenter

⚠ ADVARSEL

For større sikkerhet og pålitelighet skal alle reparasjoner foretas av et godkjent Ryobi serviceverksted.

MILJØVERN



Resirkuler råmaterialer istedenfor å kaste dem i søppelen. Verktøyet, tilbehørene og emballasjen bør sorteres for miljøvennlig resirkulering.

SYMBOLER



Sikkerhetsalarm



Class II-utstyr, dobbel isolering



Les instruksjonene nøye før apparatet tas i bruk.



Bruk hørselsvern



Bruk øyebeskyttelse



Bruk støvmaske.



Ikke bruk sprukne eller på annen måte skadede slipehjul



Ikke tillatt for våt sliping. Bruken av vann eller kjølevæsker kan forårsake elektrisk støt, som kan være livsfarlig.



Bruk sikkerhetshansker



EurAsian Konformitetstegn.



CE samsvar



Avfall fra elektriske produkter skal ikke kastes sammen med husholdningsavfall. Vennligst resirkulervedeksisterende avfallsbehandlingssted. Undersøk hos dine lokale myndigheter eller forhandler for råd om resirkulering.

**▲ ОСТОРОЖНО**

Внимательно прочтите все предупреждения и инструкции. Несоблюдение правил техники безопасности ведет к несчастным случаям: пожару, удару током и тяжелым травмам.

храните настоящие предупреждения и инструкции для последующих консультаций.

**ПРЕДОСТЕРЕЖЕНИЯ ОБ ОПАСНОСТИ
УГЛОВАЯ ШЛИФОВАЛЬНАЯ МАШИНА****БЕЗОПАСНОСТЬ ПРЕДУПРЕЖДЕНИЙ ОБЩЕЙ ДЛЯ
ШЛИФОВКИ ОПЕРАЦИИ:**

- a) Этот электроинструмент предназначен для функции шлифовальный инструмент. Прочтите все указания, инструкции, иллюстрации и спецификации, поставляемый с этим электроинструментом. Несоблюдение всех инструкций, указанных ниже, может привести к поражению электрическим током, пожару и / или серьезным травмам.
- b) Не рекомендуется с помощью данного инструмента выполнять операции по шлифованию шкуркой, очистке проволочной щеткой, полировке и отрезанию. Операции, для которых власть Программа не рассчитана может создавать опасность и привести к травме.
- c) Не используйте аксессуары, которые не являются специально разработан и рекомендован производителем инструмента. Просто потому, что аксессуар может быть подключен к вашей власти инструмент, он не обеспечивает безопасную эксплуатацию.
- d) Номинальная скорость аксессуар должен быть по меньшей мере равную максимальной скорости отмечается электроинструмента. Аксессуары работает быстрее, чем их номинальная скорость может привести к поломке и развалится.
- e) Наружный диаметр и толщина ваших аксессуаров должна быть в пределах возможностей рейтинг вашего электроинструмента. Неправильно размера принадлежности не может быть адекватно охраняется или контролировать.
- f) При навинчивании дополнительных приспособлений учитывайте, что их резьба должна соответствовать резьбе шпинделя шлифовальной машины. При фланцевом креплении дополнительных приспособлений осевое отверстие приспособления должно соответствовать диаметру фланца. Приспособления, размеры которых не в точности соответствуют деталям электроинструмента, будут несбалансированы, что вызывает сильную вибрацию и может привести к потере управления.
- g) Не используйте поврежденный аксессуар. Перед каждым использованием проверяйте рабочее состояние аксессуара, которым собираетесь работать: проверьте, чтобы абразивные диски не были треснутыми или разбитыми, чтобы полшвы не были порваны или изношены, чтобы волоски металлических щеток не были сильно изношены или сломаны. Если инструмент или аксессуар упал, проверьте его на предмет повреждений или установите неповрежденные аксессуары. После осмотра и установки устройства, позиционировать себя и окружающих от плоскости вращающегося принадлежности и запуска инструмента при максимальной скорости без нагрузки в течение одной минуты. Поврежденные аксессуары, как правило, развалится в течение этого времени испытания.
- h) Использовать средства индивидуальной защиты. В зависимости от приложения, используйте маску, защитные очки или защитные очки. В случае необходимости надевайте маску от пыли, защитными наушниками, перчатки и фартук семинар, способных остановить малых абразивные или заготовки фрагментов. Для защиты глаз должны быть в состоянии остановить полеты мусора в различных операций. Респиратор или противогаз должен быть способен фильтрации частиц, созданных на операцию. Длительное воздействие высокой интенсивности шума может привести к потере слуха.
- i) Держите прохожих на безопасном расстоянии от рабочей области. Лица, которые прибывают области работы должны носить средства индивидуальной защиты. Фрагменты заготовки или сломанный инструмент может улететь и стать причиной травм вне непосредственной близости от места работы.
- j) Держите электрические инструменты за изолированные поверхности только при выполнении операций, когда режущий инструмент может контактировать со скрытой проводкой или с собственным проводом. В результате контакта полотна с проводом, находящимся под напряжением, металлические части инструмента также могут оказаться под напряжением, что приведет к поражению работающего электрическим током.
- k) Позиция шнур подальше от вращающегося устройства. Если вы потеряете контроль, мозг может сократить или зацепил и рукой или рукой может быть втянута в прядильных аксессуар.
- l) Никогда не лежал электрический инструмент, пока аксессуар пришла к полной остановке. Прядильных инструмент может захватить поверхность и вытащить из розетки вне вашего контроля.
- m) Не запускайте электроинструмента при проведении его на вашей стороне. Случайный контакт с прядильных аксессуар может загвоздка одежду, потянув за принадлежность в ваше тело.



- n) **Регулярно очищайте воздушные силы инструмента отверстия.** Вентилятор двигателя будет опираться пыли внутри корпуса и чрезмерное накопление сухого металла может привести к опасности поражения электрическим током.
- o) **Не работайте с электроинструментом вблизи легковоспламеняющихся материалов.** Искры могут воспламенить эти материалы.
- p) **Не используйте аксессуары, которые требуют жидких хладагентов.** Использование воды или других жидких хладагентов может привести к поражению электрическим током или удара.

ДАЛЬНЕЙШИЕ УКАЗАНИЯ ПО ТЕХНИКЕ БЕЗОПАСНОСТИ ДЛЯ ВСЕХ ОПЕРАЦИЙ

Меры предосторожности, связанные с отскоком инструмента

Отдача является внезапная реакция пережат или зацепил вращающееся колесо, бок-панели, кистью или любой другой принадлежности. Щемящие или непредусмотренные причины быстрого срыва вращающегося принадлежности, которые в свою очередь вызывает неконтролируемый инструмент власти будут вынуждены в сторону, противоположную от аксессуар в поворот в точке силы.

Например, заклинивание отрезного круга в заготовке и зажим кромки круга в зоне заземления, может привести к резкому отскоку инструмента. Колесо может либо переходить к наблюдателю или от оператора, в зависимости от направления движения колеса в точке заземления. Абразивные круги могут сломать и в этих условиях.

Отдача является результатом злоупотребления властью инструмента и / или неправильный оперативных процедур или условий, и ее можно избежать путем принятия надлежащих мер предосторожности, которые приводятся ниже.

- a) **Поддержание крепко электроинструмент и положение тела и рук, чтобы вас не поддаваться отдачи сил.** Всегда используйте дополнительную ручку, если это предусмотрено для максимального контроля над отдачи или крутящего момента реакции во время запуска. Оператор может контролировать крутящий момент реакции или отдачи сил, если соответствующие меры предосторожности приняты.
- b) **Никогда не кладите руки вблизи вращающегося устройства.** Аксессуары могут откат за руку.
- c) **Не размещайте тела в районе, где власти инструмент будет двигаться, если откат происходит.** Отдача будет двигать этот инструмент в направлении, противоположном движению колеса в точке зацепления.
- d) **Использование специальных осторожны при работе с углов, острых краев т.д.** Избегайте подпрыгивая и непредусмотренные аксессуар. Уголки, острых кромок или подпрыгивая имеют

тенденцию к топляк вращающиеся принадлежности и привести к потере контроля и отдачи

- e) **Не подключайте цепи пилы дереву лезвия или зубчатой пилы.** Такие лопасти создают частые отдачи и потери контроля.

ДОПОЛНИТЕЛЬНЫЕ ИНСТРУКЦИИ ПО ТЕХНИКЕ БЕЗОПАСНОСТИ ПРИ ВЫПОЛНЕНИИ ШЛИФОВАНИЯ

МЕРЫ ПРЕДОСТОРОЖНОСТИ, СВЯЗАННЫЕ С ШЛИФОВАЛЬНЫМИ РАБОТАМИ:

- a) **Рекомендуется использование кругов, предназначенных для вашего инструмента, а также защитных экранов соответствующего размера.** Режущие диски, не предназначенные для использования с данным инструментом, нельзя должным образом защитить, и они могут представлять опасность.
- b) **Шлифующая поверхность диска должен быть ниже края защитного кожуха.** Эксплуатировать устройство с диском, выходящим за край защитного кожуха, небезопасно.
- c) **Экран должен быть надежно прикреплен к инструменту и расположен так, чтобы обеспечить наибольшую безопасность - чтобы оператору была открыта наименьшая часть круга.** Защитный экран предназначен для защиты оператора от вылетающих фрагментов диска при его поломке и случайного контакта с рабочей поверхностью, а также от искр, от которых может загореться одежда.
- d) **Круги должны использоваться только для рекомендуемого применения.** Например, не допускается шлифование боковыми поверхностями отрезного круга. Абразивные отрезные круги предназначаются для работы периферией круга, боковые силы, возникающие при такой работе, могут привести к обламыванию краев.
- e) **Не допускается использование кругов с поврежденной рубашкой, всегда используйте круги, подходящие по размеру и форме.** Соответствующие рубашки дисков поддерживают диски, препятствуя их разрушению. Рубашки отрезных кругов могут отличаться от рубашек шлифовальных кругов.
- f) **Не допускается использование изношенных кругов от более мощных и крупных устройств.** Круги большего диаметра, предназначенные для использования с более мощным инструментом, не предназначены для более высоких скоростей инструмента с меньшим диаметром круга и могут разрушиться.



**ПРЕДОСТЕРЕЖЕНИЯ ОБ ОПАСНОСТИ
УГЛОВАЯ ШЛИФОВАЛЬНАЯ МАШИНА**

- a) Убедитесь, что скорость отсчитывается шлифовального круга равна или превышает номинальную скорость инструмента.
- b) Убедитесь, что размеры шлифовального круга, совместимых с инструментом и, что колесо подходит шпинделя.
- c) Круги должны храниться в сухом месте.
- d) Не храните предметы на шлифовальных кругах.
- e) Круги не должны использоваться для любой операции, кроме шлифования.
- f) Круги должны храниться и обрабатываться с осторожностью в соответствии с инструкциями изготовителя, АО обучения.
- g) Проверьте шлифовального круга до использования, чтобы она не сколы или трещины. Фишки или трещин может привести к колесам, чтобы разрушить, в результате возможных серьезных травм.
- h) Убедитесь, что колесо установлено в соответствии с данным руководством.
- i) Убедитесь, что шлифовального круга правильно установлена и ужесточили перед началом работы и запустить данное средство на холостом ходу в течение 30 секунд в безопасном положении. Немедленно остановитесь, если есть значительные вибрации или других дефектов обнаружено. Если это условие имеет место, проверить инструмент, чтобы определить причину.
- j) Не используйте отдельную сокращения втулки или адаптеры адаптировать большое отверстие шлифовальных кругов.
- k) Убедитесь, что обрабатываемая деталь должную поддержку.
- l) Используйте только шлифовальные круги утвержденных RYOBI.
- m) Убедитесь, что искры в результате использования не создают опасности, например, не попали люди, или возгорания горючих веществ.
- n) Всегда используйте защитные очки безопасности и защиты слуха.
- o) Использование других средств индивидуальной защиты, таких как перчатки, фартук и шлем, когда это необходимо.
- p) Никогда не кладите инструмент на пол или другие поверхности во время его работы. Круги продолжать вращаться после того, инструмент выключен. Никогда не прикасайтесь к колесам или разместить его на полу или другой поверхности во время его вращения.
- q) Фланец и гайку зажима должен иметь ту же наружный диаметр.
- r) Используйте инструмент только для утвержденных заявок. Никогда не используйте охлаждающие воды

или использовать средство в виде фиксированной инструмент.

- s) При работе крепко держите инструмент обеими руками.

НАЗНАЧЕНИЕ

Шлифуемый материал металлы

Используйте инструмент только для утвержденных заявок. Использование данного электроинструмента не по назначению может создать опасную ситуацию.

ТЕХНИЧЕСКОЕ ОБСЛУЖИВАНИЕ**⚠ ОСТОРОЖНО**

Не следует вносить корректировки в то время как двигатель находится в движении.

Перед заменой съемных деталей или расходных материалов, смазкой или иными действиями, производимыми над устройством, всегда отсоединяйте шнур питания от розетки.

- После использования, проверить инструмент, чтобы убедиться, что он находится в хорошем состоянии.
- Мы рекомендуем Вам принять этот инструмент Ryobi Авторизованный Сервисный Центр, путем очистки и смазки не реже одного раза в год.
- Если кабель питания поврежден, во избежание опасности его должен заменить либо сам производитель, либо специалист авторизованного сервисного центра. Обратитесь в авторизованный сервисный центр

⚠ ОСТОРОЖНО

Для обеспечения безопасности и надежности, все ремонтные работы должны выполняться в авторизованный сервисный центр или другие организации квалифицированного обслуживания.

ЗАЩИТА ОКРУЖАЮЩЕЙ СРЕДЫ

Утилизируйте как сырье, а не выбрасывайте как мусор. Машина, аксессуары и упаковка должны быть отсортированы.

УСЛОВНЫЕ ОБОЗНАЧЕНИЯ

Внимание



Оборудование класса II, двойная изоляция



Внимательно прочтите данные инструкции перед использованием продукта.



Применяйте средства защиты органов слуха



Применяйте средства защиты органов зрения



Надевайте пылезащитную маску.



Не используйте бракованные шлифовальные диски или диски со сколами или трещинами



Не допускается шлифование с охлаждением

Использование воды или других жидких хладагентов может привести к поражению электрическим током или удара.



Надевайте защитные перчатки



Знак Евразийского Соответствия



Соответствие требованиям CE



Отработанная электротехническая продукция должна уничтожаться вместе с бытовыми отходами. Утилизируйте, если имеется специальное техническое оборудование. По вопросам утилизации проконсультируйтесь с местным органом власти или предприятием розничной торговли.

**⚠ OSTRZEŻENIE**

Przeczytajcie uważnie wszystkie ostrzeżenia i zalecenia. Nie przestrzeganie przedstawionych niżej zaleceń mogłoby pociągnąć za sobą wypadki takie jak pożary, porażenia prądem elektrycznym i /lub poważne obrażenia ciała.

Zachowajcie te ostrzeżenia i zalecenia, aby móc się do nich odnieść w późniejszym czasie.

SZLIFIERKA KĄTOWA OSTRZEŻENIA DOTYCZĄCE BEZPIECZEŃSTWA**ZALECENIA BHP DOTYCZĄCE SZLIFIEREK KĄTOWYCH:**

- a) Narzędzie to zostało zaprojektowane do zastosowania jako szlifierka kątowa. Prosimy o uważne zapoznanie się z ostrzeżeniami, instrukcjami i specyfikacjami dostarczonymi z tym narzędziem oraz z zawartymi w nich ilustracjami. Nie przestrzeganie przedstawionych niżej zaleceń mogłoby pociągnąć za sobą wypadki takie jak pożary, porażenia prądem elektrycznym i /lub poważne obrażenia ciała.
- b) Nie zaleca się używać tego narzędzia do czynności takich jak szlifowanie papierem ściernym, szcztokowanie, polerowanie lub cięcie. Nie zastosowanie się do tego wymogu może spowodować wypadki lub też ciężkie obrażenia ciała.
- c) Nie należy używać akcesoriów, które nie zostały zaprojektowane specjalnie do tego urządzenia i które nie są zalecane przez producenta. Nawet jeżeli da się zamontować jakąś przystawkę na narzędziu, nie oznacza to, że można bezpiecznie używać narzędzia z tą przystawką.
- d) Prędkość znamionowa przystawki powinna być równa lub większa od prędkości maksymalnej oznaczonej na narzędziu. Przystawki (akcesoria) funkcjonujące przy prędkości większej od ich prędkości znamionowej, mogą się połamać i zostać odrzucone.
- e) Średnica zewnętrzna i grubość akcesoria powinny odpowiadać charakterystyce podanej dla narzędzia. Jeżeli akcesoria nie są zgodne z podaną charakterystyką, systemy zabezpieczenia i ustawiania narzędzia nie będą należycie funkcjonowały.
- f) Gwintowane mocowanie akcesoriów musi pasować do gwintu wrzeciona szlifierki. W przypadku akcesoriów mocowanych przy pomocy kołnierza nieprzylegający otwór osprzętu musi pasować do średnicy kołnierza. Akcesoria niepasujące dobrze do wrzeciona elektronarzędzia będą źle wyważone, wpadną w nadmierne wibracje i mogą spowodować utratę kontroli nad narzędziem.
- g) Nie należy używać uszkodzonych akcesoriów. Przed każdym użyciem należy sprawdzić czy narzędzie jest w dobrym stanie: upewnijcie się, że tarcze ścierne nie są wyszczerbione lub pęknięte, że płyty szlifierskie nie są zrozerwane lub

zużyte, że druty szczotek metalowych nie są zbyt zużyte czy połamane. W przypadku upuszczenia elektronarzędzia lub przystawki, sprawdź, czy nie są one uszkodzone, w razie potrzeby wymień przystawkę. Po sprawdzeniu, że przystawka jest w dobrym stanie i po jej zainstalowaniu, należy pozostać na dystans od ruchomych przystawek i poczekać przez minutę, aż narzędzie osiągnie maksymalną prędkość. Jeżeli przystawka jest uszkodzona, połamie się ona podczas tego testu.

- h) Stosować środki ochrony osobistej. W zależności od tego do czego używacie wasze narzędzie, załóżcie maskę zabezpieczającą, lub okulary zabezpieczające. W razie potrzeby, załóżcie maskę przeciwpyłową, ochronniki słuchu, rękawice i fartuch ochronny, które zabezpieczają przed odrzutem ciał obcych (opilki, wióry, itd.). Okulary ochronne umożliwiają uniknąć skażenia oczu spowodowanego odrzutem odpadów. Maski przeciwpyłowe służą do filtrowania mikroskopijnych cząstek wydzielających się podczas wykonywanych prac. Wystawienie na wysoki poziom hałasu, może spowodować utratę słuchu.
- i) Wszystkie osoby wizytujące powinny nosić wyposażenie ochronne i zostawać w odpowiedniej odległości od strefy roboczej. Każdy, kto wchodzi do strefy roboczej musi nosić sprzęt ochrony osobistej. Elementy połamanego przedmiotu do obróbki czy akcesoria, mogą być odrzucone poza zakres strefy roboczej i spowodować poważne obrażenia cielesne.
- j) Kiedy pracujecie na powierzchni mogącej skrywać przewody elektryczne, lub gdy podczas pracy przewód zasilający może być na trasie cięcia, trzymajcie narzędzie wyłącznie za izolowane i nieśliskie części. Kontakt z przewodem pod napięciem może spowodować przepływ prądu przez metalowe elementy urządzenia i porażenie operatora.
- k) Należy umieścić przewód zasilający w taki sposób, by nie stykał się z obracającymi się akcesoriami. W przypadku utraty kontroli nad narzędziem, może dojść do przecięcia lub pochwylenia przewodu zasilającego i wciągnięcia dłoni czy ramienia do obracającego się akcesoria.
- l) Nie odkładajcie narzędzia zanim przystawka nie będzie zupełnie zatrzymana. Obracająca się przystawka mogłaby się zetknąć z powierzchnią, na którą ją położono i doprowadzić do utraty kontroli nad narzędziem.
- m) Nie należy używać narzędzia podczas transportu. Obracająca się przystawka mogłaby zostać pochwycona przez ubrania i doprowadzić do poważnego zranienia.
- n) Należy regularnie czyścić szczeliny wentylacyjne narzędzia. Wentylacja silnika wprowadza kurz do wnętrza obudowy silnika, co może być przyczyną nadmiernego nagromadzenia cząstek stałych i spowodować porażenie prądem elektrycznym.
- o) Nigdy nie używajcie waszego narzędzia w pobliżu produktów łatwopalnych. Iskry mogłyby spowodować podpalenie narzędzia.



- p) **Nie używajcie akcesoriów wymagających płynów chłodzących.** Używanie wody czy płynów chłodzących może spowodować porażenie prądem elektrycznym, nawet śmiertelne.

DODATKOWE ZASADY BHP DOTYCZĄCE WSZYSTKICH CZYNNOŚCI OBSŁUGOWYCH

Zjawisko odbicia i związane z nim ostrzeżenia

Odbicie (odrzut) jest nagłą reakcją, występującą podczas ruchu ściernicy kiedy dochodzi do pochwylenia czy wygięcia płyty szlifierskiej, szczotki czy innego akcesoria, powodującego szybkie zablokowanie akcesoria. Narzędzie dalej działa, powodując odrzut w kierunku odwrotnym do kierunku użytkowania akcesoria.

Np. przytarta lub zakleszczona tarcza ścierna, której krawędź zagłębiona w szczelinie na skutek ruchu obrotowego próbuje wydostać się z zakleszczenia może odskoczyć od obrabianego przedmiotu, powodując gwałtowny odrzut elektronarzędzia. Ściernica może odskoczyć w kierunku lub z dala od operatora, w zależności od kierunku ruchu koła w punkcie zakleszczenia. W przypadku odbicia, tarcza ścierna może również się pękać.

Można go uniknąć podejmując środki ostrożności.

- Trzymajcie mocno narzędzie dwoma rękami i ustawcie ciało i ramię tak, by móc skontrolować ewentualne odbicie.** Posługujcie się uchwytem pomocniczym, jeżeli jest na wyposażeniu waszego narzędzia; zapewni to optymalną kontrolę w przypadku odbicia czy sprzężenia zwrotnego podczas uruchamiania narzędzia. Należy podjąć odpowiednie środki, by móc panować nad narzędziem w przypadku odbicia czy sprzężenia zwrotnego.
- Nie należy umieszczać ręki w pobliżu obracającego się akcesoria, celem uniknięcia poważnych obrażeń ciała w przypadku odrzutu.** Akcesoria mogą odrzucić rękę.
- Nie należy znajdować się w strefie, do której mogłyby zostać odrzucone narzędzie w przypadku odbicia.** W przypadku odbicia, narzędzie odrzucone jest w kierunku odwrotnym do kierunku obrotów tarczy.
- Należy zwracać szczególną uwagę przy obrabianiu kątów, ostrych krawędzi, itd. Unikać wpadnięcia w poślizg lub pochwylenia akcesoria.** Przy obrabianiu kątów, ostrych krawędzi, czy wpadnięciu w poślizg narzędzia, zachodzi większe ryzyko zablokowania akcesoria, co może doprowadzić do utraty panowania nad narzędziem i odrzutu.
- Nie należy używać z tym narzędziem tarczy przecinarki do drewna czy tarczy piły.** Mogłyby to spowodować ryzyko odrzutu i utratę kontroli nad narzędziem.

DODATKOWE INSTRUKCJE BEZPIECZEŃSTWA DOTYCZĄCE SZLIFOWANIA

OSTRZEŻENIA ZWIĄZANE Z CZYNNOŚCIĄ SZLIFOWANIA:

- Stosować wyłącznie tarcze przeznaczone do tego narzędzia i osłonę bezpieczeństwa przeznaczoną do wybranej tarczy.** Tarcze, które nie zostały przeznaczone do współpracy z tym elektronarzędziem nie mogą być odpowiednio osłonięte i są niebezpieczne.
- Powierzchnia szlifowania tarczy z dociskiem na środku musi być zamontowana poniżej płaszczyzny wypustu ochronnego.** Nieprawidłowo zamontowana tarcza wystająca poza płaszczyznę wypustu ochronnego nie jest wystarczająco zabezpieczona.
- Osłona musi być w bezpieczny sposób przymocowana do elektronarzędzia i ustawiona tak, aby zapewnić maksymalne bezpieczeństwo; tarcza powinna być jak w najmniejszym stopniu odsłonięta w stronę operatora.** Osłona chroni operatora przed oderwanymi fragmentami tarczy oraz przypadkowym kontaktem z tarczą i iskrami, które mogłyby spowodować zapalenie się odzieży.
- Tarczy należy używać wyłącznie do zalecanych zastosowań. Przykładowo, nie należy szlifować boczną powierzchnią tarczy tnącej.** Tarcze przeznaczone do szlifowania obwodowego; siły boczne oddziałujące na tarcze mogą spowodować ich zniszczenie.
- Należy stosować kołnierze tarcz w dobrym stanie technicznym, o właściwym rozmiarze i kształcie dopasowanym do wybranej tarczy.** Odpowiedni kołnierz tarczy podpira ją, zmniejszając ryzyko pęknięcia tarczy. Kołnierze do tarcz tnących mogą być inne niż kołnierze do tarcz ściernych.
- Nie używać zużytych tarcz z większych elektronarzędzi.** Tarcze przeznaczone do dużych elektronarzędzi nie mogą być używane z wysokoobrotowymi mniejszymi narzędziami, ponieważ mogą rozpaść się.

SZLIFIERKA KĄTOWA OSTRZEŻENIA DOTYCZĄCE BEZPIECZEŃSTWA

- Należy sprawdzić czy prędkość wskazana na tarczy zdzierającej jest równa lub większa od prędkości nominalnej narzędzia.
- Upewnijcie się, że wymiary tarczy zdzierającej są odpowiednie dla waszego narzędzia, oraz czy tarcza zdzierająca dobrze osadza się na wrzecionie.
- Tarcze zdzierające powinny być przechowywane w suchym miejscu.
- Nie kładźcie nadanego przedmiotu na tarcze szlifierskie.
- Tarcze szlifierskie powinny być używane jedynie w celu wykonywania szlifowania.
- Tarcze szlifierskie powinny być przechowywane i manipulowane z ostrożnością, zgodnie ze





wskazówkami producenta.

- g) Przed użyciem tarczy, należy się upewnić czy nie jest ona wyszczerbiona lub pęknięta. W takiej sytuacji mogłaby się ona połamać, co może pociągnąć za sobą poważne obrażenia cielesne.
- h) Upewnijcie się, że tarcza szlifierska jest zamontowana zgodnie ze wskazówkami niniejszej instrukcji.
- i) Przed użyciem upewnijcie się, że tarcza szlifierska jest poprawnie zamontowana i dokręcona a następnie obracając ją na biegu jałowym przez 30 sekund, skierowując ją w taki sposób, aby nie stwarzała zagrożenia. Jeżeli wasze narzędzie wibruje zbyt mocno, lub gdy stwierdzicie inne problemy, należy natychmiast wyłączyć narzędzie. Jeżeli zajdzie taka sytuacja, skontrolujcie wasze narzędzie w celu znalezienia przyczyny zaistniałego problemu.
- j) Nie używajcie złączek zwęzkowych czy rozpórek w celu zmniejszenia otworu w tarczach o dużym otworze.
- k) Sprawdźcie czy obrabiany przedmiot jest poprawnie podtrzymywany.
- l) Używajcie jedynie tarcz szlifierskich zalecanych przez RYOBI.
- m) Upewnijcie się, że iskry tworzące się w trakcie używania narzędzia nie powodują niebezpiecznej sytuacji, na przykład czy nie spadają one na osoby lub na palne substancje.
- n) Należy zawsze nosić okulary ochronne i ochronniki słuchu.
- o) Jeżeli zachodzi potrzeba, używajcie innego wyposażenia ochronnego, jak rękawice, fartuch czy kask.
- p) Nigdy nie kładźcie waszego narzędzia na ziemi czy innych powierzchniach, kiedy jest ono w trakcie działania. Uwaga, tarcza szlifierska obraca się bezwład-nościowo po wyłączeniu narzędzia. Nigdy nie należy dotykać tarczy szlifierskiej, ani jej kłaść na ziemi czy innych powierzchniach, kiedy tarcza się obraca.
- q) Kołnierz oporowy tarczy i kołnierz zewnętrzny muszą mieć zawsze taką samą średnicę zewnętrzną.
- r) Używajcie tego narzędzia jedynie do zastosowań zgodnych z przeznaczeniem. Nigdy nie używajcie płynu chłodzącego czy wody. Nie używajcie waszego przenośnego narzędzia jak narzędzia stacjonarnego.
- s) Podczas użytkowania narzędzia, należy je mocno trzymać dwoma rękami.

PRZEZNACZENIE

Szlifowanie metale

Używajcie tego narzędzia jedynie do zastosowań zgodnych z przeznaczeniem. Używanie narzędzi w sposób niezgodny z ich przeznaczeniem jest niebezpieczne.

KONSERWACJA

⚠ OSTRZEŻENIE

Kiedy silnik jest w trakcie działania nie wolno wykonywać żadnych regulacji.

Przed przystąpieniem do wymiany przystawek, akcesoriów lub materiałów eksploatacyjnych, smarowania lub wykonywania wszelkich innych czynności obsługowych przy urządzeniu należy wyjąć wtyczkę z gniazda zasilania.

- Po użyciu upewnijcie się, że wasze narzędzie jest sprawne.
- Zalecamy zanieśenie waszego narzędzia, przynajmniej raz w roku, do Autoryzowanego Punktu Serwisowego Ryobi w celu dokonania smarowania i kompletnego czyszczenia.
- Uszkodzony przewód sieciowy powinien zostać wymieniony przez autoryzowany punkt serwisowy, samodzielna wymiana zagraża bezpieczeństwu użytkownika. Skontaktować się z autoryzowanym punktem serwisowym

⚠ OSTRZEŻENIE

Dla większego bezpieczeństwa i pewności działania, wszystkie naprawy powinny być wykonywane w Autoryzowanym Punkcie Serwisowym Ryobi.

OCHRONA ŚRODOWISKA



Surowce należy oddawać do powtórnego przetworzenia zamiast wyrzucać je na śmieci. Z myślą o ochronie środowiska, narzędzie, akcesoria i opakowania powinny być sortowane.

SYMBOLE



Alarm bezpieczeństwa



Urządzenie II klasy, podwójna izolacja



Przed uruchomieniem produktu należy dokładnie przeczytać te instrukcje.



Stosować środki ochrony słuchu



Stosować środki ochrony wzroku



Noś maskę przeciwpyłową.



Nie należy używać tarczy szlifierskiej, która jest wyszczerbiona, pęknięta (zarysowana) lub w inny sposób uszkodzona



Narzędzie nie jest przystosowane do szlifowania/cięcia na mokro. Używanie wody czy płynów chłodzących może spowodować porażenie prądem elektrycznym, nawet śmiertelne.



Zakładać rękawice ochronne



Znak zgodności EurAsian



Zgodność CE



Zużyte produkty elektryczne nie powinny być utylizowane z odpadami domowymi. Prosimy poddawać recyklingowi w odpowiednich miejscach. Informacje o właściwych metodach recyklingu można uzyskać u władz lokalnych lub sprzedawcy.

**⚠ UPOZORNĚNÍ**

Přečtěte si všechny bezpečnostní upozornění a pokyny. Nedodržení uvedených pokynů může způsobit požár, úraz elektrickým proudem a/nebo jiné vážné zranění.

Uchovejte všechny pokyny a upozornění, abyste se k nim mohli v budoucnosti vrátit.

BEZPEČNOSTNÍ VAROVÁNÍ K RUČNÍ ROZBRUŠOVAČKA**BEZPEČNOSTNÍ POKYNY PRO BRUSKY:**

- a) To nářadí lze používat jako brusku. Přečtěte si pozorně upozornění, pokyny a technické specifikace dodané s nářadím a prohlédněte si ilustrace. Nedodržení uvedených pokynů může způsobit požár, úraz elektrickým proudem a/nebo jiné vážné zranění.
- b) Činnosti jako broušení, kartáčování, leštění nebo rozbrušování nejsou doporučeny s tímto elektrickým nástrojem. Nedodržení tohoto pokynu může způsobit vážné zranění či materiální škody.
- c) **Nepoužívejte příslušenství, které není vyrobeno pro tento nástroj a které není doporučeno výrobcem.** I když lze příslušenství jiných výrobců nasadit na nářadí, neznamená to, že je jeho používání bezpečné.
- d) **Jmenovitá rychlost příslušenství musí být stejná nebo vyšší než je maximální rychlost uvedená na nářadí.** Příslušenství, které pracuje vyšší rychlostí, než je jeho jmenovitá rychlost, se může rozlomit a vymrštit z nářadí.
- e) **Vnější průměr a tloušťka příslušenství musí odpovídat technickým údajům pro dané nářadí.** Pokud příslušenství neodpovídá technickým údajům, ochranný systém nebude pracovat správně a nářadí nebude dobře seřizené.
- f) **Závit u doplňků se musí shodovat se závitem brusky. U doplňků montovaných pomocí příruby se musí otvor doplňků shodovat s otvorem příruby, ke které se montuje.** Doplňky, jejichž otvor je nevhodný pro nástroj může způsobit nerovnováhu, nadměrné vibrace a dokonce ztrátu kontroly.
- g) **Nepoužívejte poškozené příslušenství. Po každém použití nářadí zkontrolujte, zda je příslušenství, které jste používali, v dobrém stavu: ujistěte se, že brusné kotouče nejsou tupé nebo prasklé, brusné desky opotřebované nebo roztržené a že hroty kovových kartáčů nejsou tupé nebo zlomené. V případě pádu nářadí nebo příslušenství zkontrolujte, zda žádný prvek nářadí nebyl poškozen a v případě nutnosti, použijte nové příslušenství. Po provedení kontroly stavu příslušenství a po jeho nasazení na nářadí se postavte do bezpečné vzdálenosti a počkejte, dokud nářadí nedosáhne své maximální rychlosti. Nechte nářadí běžet na maximální otáčky zhruba po dobu jedné minuty. Pokud je příslušenství**

poškozené, během této zkoušky dojde k jeho rozbití.

- h) **Používejte osobní ochranné pomůcky. V závislosti na používání nářadí, noste bezpečnostní nebo uzavřené ochranné brýle, nebo ochranné brýle s bočními kryty. V případě potřeby používejte protiprašný respirátor, sluchovou ochranu, ochranné rukavice a ochrannou zástěru s laelem, abyste se chránili před odlétajícími kusky obráběného materiálu (kovový prach a piliny, třísky apod.).** Ochranné brýle chrání před vniknutím cizích těles do očí, které může způsobit zranění. Protiprašný respirátor filtruje částice prachu vytvářející se při práci. Dlouhodobá expozice vysokému hluku může způsobit poškození sluchu.
- i) **Dbejte, aby se přihlížející osoby zdržovaly v dostatečné vzdálenosti a aby byly vybaveny osobními ochrannými prostředky. Všechny osoby vstupující na pracoviště musí používat osobní ochranné prostředky.** Úlomky obráběného materiálu nebo rozlomené příslušenství může být vymršteno i mimo pracovní zónu a způsobit vážný úraz.
- j) **Držte nářadí pouze za izolované části s protiskluzovou úpravou, pokud pracujete s materiálem, ve kterém mohou být elektrické kabely nebo pokud pracujete v poloze, při které by se napájecí kabel mohl dostat do trasy řezu.** Kontakt s „živým“ vodičem způsobí, že kovové části elektricky poháněného nástroje se stanou také „živými“ a způsobí elektrický úraz obsluze.
- k) **Napájecí kabel ved'te tak, aby byl v bezpečné vzdálenosti od otáčejícího se příslušenství. V případě ztráty kontroly nad nářadím by mohlo dojít k přefříznutí elektrického kabelu nebo k jeho zablokování.** Ruka nebo paže uživatele by tak mohly přijít do kontaktu s otáčejícím se příslušenstvím.
- l) **Nikdy nepokládejte nářadí, pokud se příslušenství ještě otáčí.** Nikdy nepokládejte nářadí, pokud se příslušenství ještě otáčí.
- m) **Otáčející se příslušenství by mohlo narazit na plochu, na kterou jste nářadí položili, a mohli byste ztratit kontrolu nad nářadím.** Při přenášení nářadí vypněte. Otáčející se příslušenství by se mohlo zachytit o váš oděv a způsobit vám závažný úraz.
- n) **Pravidelně čistěte větrací otvory v nářadí.** Při větrání motoru se pod kryt motoru dostává prach, proto je nutné větrací otvory pravidelně čistit, aby nedocházelo k usazování kovových částic, které by mohly způsobit úraz elektrickým proudem.
- o) **Nepoužívejte nářadí v blízkosti hořlavých předmětů.** Jiskřením by mohlo dojít k jejich vznícení.
- p) **Nepoužívejte příslušenství, které si vyžaduje chladicí médium.** Používání vody nebo chladicí kapaliny může způsobit úraz elektrickým proudem nebo elektrickou ránu.



DALŠÍ BEZPEČNOSTNÍ POKYNY PRO VŠECHNY OPE- RACE

Zpětný vrh a související varování

Zpětný ráz je prudká reakce nářadí, ke které dojde, když se otáčející kotouč, brusný kotouč, kartáč či jiné příslušenství ohne, uvízne či zablokuje v obráběném materiálu. Nářadí se nezastaví a stále se otáčí, tím vyvíjí tlak v opačném směru, než je pracovní směr zablokováného příslušenství. Například pokud uvízne brusný kotouč v obráběném dílu, řezná hrana kotouče se zanoří do obráběného dílu a dojde k prudké reakci kotouče, který nekontrolovaně vyskočí ze své dráhy směrem k uživateli, v závislosti na směru otáčení kotouče před jeho zablokováním. Kotouč může vyskočit buď směrem k nebo od operátora, v závislosti na směru kola hnutí v místě skřípnutí. Při zpětném rázu se brusný kotouč může zlomit.

Zpětný ráz je tudíž způsoben nesprávným používáním nářadí a/nebo nevhodným postupem při řezání, případně nevhodnými podmínkami řezání.

- Držte nářadí pevně a postavte se tak, abyste mohli kontrolovat případný zpětný ráz nářadí.** Pokud je nářadí vybaveno pomocnou rukojetí, vždy držte nářadí oběma rukama. Tím se usnadní kontrola nad nářadím v případě zpětného rázu nebo reakčního momentu při spuštění nářadí. Při zpětném rázu nebo reakčním momentu je třeba přijmout odpovídající opatření.
- Nikdy nepřibližujte ruce do blízkosti otáčejícího se příslušenství, abyste si nezpůsobili vážné zranění v případě zpětného rázu.** Příslušenství může odskočit zpět přes vaše ruce.
- Nestavte se do místa možného zpětného rázu nářadí.** V případě zpětného rázu je nářadí vymrštnuto opačným směrem, než je směr otáčení kotouče.
- Postupujte opatrně při práci v rozích, při opracování ostrých hran apod. Dávejte pozor, aby se vám nářadí nevysmeklo a aby se příslušenství nezablokovalo.** Při práci v rozích a při opracování ostrých hran se zvyšuje nebezpečí vysmeknutí nářadí a zablokování příslušenství, které mají za následek ztrátu kontroly a zpětný ráz.
- Toto nářadí nepoužívejte s kotoučem, který je určen pro zkracovací či jinou pilu na řezání dřeva.** Tyto kotouče zvyšují riziko zpětného rázu a ztráty kontroly nad nářadím.

DOPLŇKOVÉ BEZPEČNOSTNÍ PŘEDPISY PRO BROUŠENÍ

ZVLÁŠTNÍ BEZPEČNOSTNÍ PŘEDPISY BROUŠENÍ:

- Používejte pouze typy kotoučů, které jsou doporučeny pro váš elektrický nástroj a určený kryt navržený pro zvolený kotouč.** Kotouče nenavržené pro danou brusku nelze dostatečně chránit a jsou nebezpečné.
- Brusná plocha středu zatlačeného kotouče se musí montovat pod plochu okraje krytu.** Nesprávně

namontovaný kotouč vyčnívající z okraje krytu nebude vhodně chráněn.

- Kryt musí být bezpečně připojen k elektrickému nástroji a umístěn pro maximální bezpečnost, tím je obsluha vystavena minimální plocha kotouče.** Ochranný kryt pomáhá chránit obsluhu před úlomky, náhodným kontaktem s brusným tělesem a též před jiskrami, jež mohou vznítit oděv.
- Kotouče se smí používat pouze pro doporučená použití. Například nebruste stranou brusného kotouče.** Hrubé rozbrušovací kotouče jsou určeny pro okrajová broušení, boční síly použité na tyto kotouče mohou způsobit jejich poničení.
- Vždy používejte nepoškozené okolky kotouče se správnou velikostí a tvarem pro váš vybraný kotouč.** Správné okolky kotouče podporují kotouč, čímž snižují možnost zaseknutí kotouče. Okolky pro rozbrušovací kotouče mohou být jiné než okolky brusných kotoučů.
- Nepoužívejte opotřebované kotouče z větších nástrojů.** Kotouče určené pro větší nástroj jsou nevhodné pro vysoké rychlosti malého nástroje a mohou prasknout.

BEZPEČNOSTNÍ VAROVÁNÍ K RUČNÍ ROZBRUŠOVAČKA

- Zkontrolujte, zda rychlost otáček uvedená na brusném kotouči souhlasí s jmenovitou rychlostí brusky.
- Zkontrolujte, zda je průměr brusného kotouče kompatibilní s nářadím a se závitem na vřetenu.
- Brusné kotouče je nutné skladovat v suchu.
- Na brusné kotouče nepokládejte žádný předmět.
- Brusné kotouče se nesmí používat k jiným účelům než k broušení materiálů.
- S brusnými kotouči je nutné zacházet opatrně, v souladu s doporučeními výrobce.
- Než začnete používat brusný kotouč, zkontrolujte, zda není tupý nebo prasklý. Prasklý kotouč se může rozlomit a být příčinou vážného úrazu.
- Zkontrolujte, zda je bruska nasazena v souladu s pokyny tohoto návodu k obsluze.
- Před použitím brusky zkontrolujte správné nasazení a utažení brusného kotouče, pak ponechte brusku pracovat naprázdno zhruba po dobu 30 sekund. Bruska musí být přítom nasměrována tak, abyste neohrozili sami sebe a své okolí. Pokud je slyšitelné podezřelé chvění kotouče nebo je patrný jakýkoliv jiný problém, brusku okamžitě vypněte. Brusku pečlivě prohlédněte, abyste odhalili příčinu problému.
- Nepoužívejte redukce ani adaptéry, abyste mohli nasadit brusný kotouč na velký upínací průměr.
- Zkontrolujte správné upevnění opracovávaného materiálu.
- Používejte pouze brusné kotouče doporučené firmou RYOBI.





- m) Dávejte pozor, aby jiskření, které vzniká při používání nářadí, nevytvářelo nebezpečné situace, například že jiskry nemohou zasáhnout osoby ve Vaší blízkosti nebo přijít do styku s hořlavými předměty.
- n) Při práci noste ochranné brýle a sluchovou ochranu.
- o) V případě potřeby používejte i další osobní ochranné prostředky, jako jsou ochranné rukavice, ochranný pracovní oděv nebo přilba.
- p) Pokud je nářadí v provozu, nikdy je nepokládejte na zem ani neodkládejte na jinou plochu. Vlivem setrvačnosti se kotouč ještě chvilku otáčí i po vypnutí nářadí. Pokud je bruska v provozu, nikdy se nedotýkejte brusného kotouče, brusku nepokládejte na zem ani na žádnou jinou plochu.
- q) Příruba brusného kotouče a vnější příruba musí mít stejný vnější průměr.
- r) Nářadí používejte pouze k předepsaným účelům. Ke zchlazení kotouče nikdy nepoužívejte chladicí kapalinu nebo vodu. Nepoužívejte nářadí jako pevný nástroj.
- s) Při práci držte nářadí pevně oběma rukama.

ZAMÝŠLENÉ POUŽITÍ

Broušení kovy

Nářadí použijte pouze k předepsaným účelům. Použití elektricky poháněného nástroje pro práce jiné, než zamýšlené by mohlo mít za následek nebezpečnou situaci.

ÚDRŽBA

⚠ VAROVÁNÍ

Neprovádějte žádná seřizování, pokud je motor v provozu.

Před výměnou odnímatelných nebo rozšiřujících dílů, před mazáním a údržbou vždy odpojte brusku ze zásuvky elektrické sítě.

- Po skončení práce zkontrolujte, zda je nářadí v dobrém stavu.
- Doporučuje se nechat nářadí zkontrolovat alespoň jedenkrát ročně v některém z autorizovaných servisních středisek výrobků Ryobi a nechat nářadí kompletně vyčistit a namazat.
- Pokud je napájecí kabel poškozen, musí být nahrazen pouze výrobcem nebo pověřeným servisním střediskem za účelem odstranění nebezpečí. Kontaktujte pověřené servisní středisko

⚠ VAROVÁNÍ

Z bezpečnostních důvodů a pro zajištění spolehlivosti nářadí musí být veškeré opravy prováděny v autorizované servisní opravě výrobků Ryobi.

OCHRANA ŽIVOTNÍHO PROSTŘEDÍ



V rámci možnosti neodhazujte vysloužilé nářadí do domovního odpadu a upřednostněte jeho recyklaci. V souladu s předpisy na ochranu životního prostředí odkládejte vysloužilé nářadí, příslušenství i obalový materiál do tříděného odpadu.

SYMBOLY



Bezpečnostní výstraha



Zařízení třídy II, dvojitá izolace



Před použitím přístroje si prosím řádně přečtěte tyto pokyny.



Noste ochranu sluchu



Noste ochranu očí



Noste respirátor.



Nepoužívejte kotouč s prasklinami, otřepy nebo vadami



Nepřípustné mokré broušení. Používání vody nebo chladicí kapaliny může způsobit úraz elektrickým proudem nebo elektrickou ránu.



Noste ochranné rukavice



Euroasijská značka shody



Shoda CE



Odpad elektrických výrobků se nesmí likvidovat v domovním odpadu. Recyklujte prosím na sběrných místech. Ptejte se u místních úřadů nebo prodejce na postup při recyklaci.

**▲ FIGYELMEZTETÉS**

Figyelmesen olvassa el az összes figyelmeztetést és utasítást. Az alább részletezett előírások be nem tartása olyan baleseteket okozhat, mint pl. tűz, áramütés és/vagy súlyos testi sérülések.

Őrizze meg ezeket a figyelmeztetéseket és utasításokat a későbbi tájékozódásra is.

SAROKCSISZOLÓ BIZTONSÁGI FIGYELMEZTETÉSEK**BIZTONSÁGI ELŐÍRÁSOK CSISZOLÓK:**

- Ezt a szerszámot oly módon tervezték és alakították ki, hogy csiszolóként. Figyelmesen olvassa el az ehhez a szerszámhoz mellékelt összes figyelmeztetést, utasítást és műszaki adatokat, valamint tanulmányozza az ábrákat is. Az alább részletezett előírások be nem tartása olyan baleseteket okozhat, mint pl. tűz, áramütés és/vagy súlyos testi sérülések.
- A géppel nem javasolt köszörülést, drótkéfézést, polírozást vagy vágást végezni. Ezen előírás be nem tartása baleseteket és súlyos testi sérüléseket okozhat.
- Ne használjon olyan tartozékokat, amelyeket nem speciálisan ehhez a szerszámhoz tervezték és a gyártó által nincs előírva a használatuk. Még ha egy tartozékot fel is lehet a szerszámra szerelni / helyezni, ez nem jelenti azt, hogy teljes biztonságban is lehetne ezt a szerszámot ily módon használni.
- A tartozék névleges sebessége (fordulatszáma) nagyobb vagy egyenlő kell hogy legyen, mint a szerszámon jelölt maximális sebesség (fordulatszám). A saját névleges sebességüknél nagyobb sebességen üzemelő tartozékok eltörhetnek és kidobódhatnak / kirepülhetnek a szerszámból.
- A tartozék külső átmérője és vastagsága meg kell hogy feleljen a szerszám megjelölt műszaki adatainak. Amennyiben a tartozékok nem felelnek meg a megadott adatoknak, akkor a szerszám védelmi- és beállítási rendszerei nem képesek megfelelőképp működni.
- A tartozékok menetes rögzítésének illeszkednie kell a csiszoló orsójának menetéhez. A peremekkel rögzített tartozékok esetében a tartozékok középső furatának illeszkednie kell a perem igazító átmérőjéhez. A gép rögzítőfelületeihez nem illeszkedő tartozékok nem lesznek kiegyensúlyozva, vibrálni fognak és a gép feletti irányítás elvesztését okozhatják.
- Ne használjon sérült tartozékokat. Minden használat előtt ellenőrizze, hogy a használt tartozék jó állapotban van-e: bizonyosodjon meg arról, hogy a csiszoló korongok nem csorbultak / deformálódtak vagy repedtek, a talpak nem szakadtak vagy kopottak, valamint hogy a drótkéfék sórtéi nem túlságosan kopottak vagy törtek. Amennyiben a szerszám vagy a tartozék

leesett, ellenőrizze hogy semelyik alkatétel nem sérült, szükség esetén pedig szereljen / tegyen fel egy sérülésmentes tartozékot. Miután leellenőrizte, hogy a tartozék jó állapotban van, és felszerelte / felhelyezte azt, akkor helyezkedjen el biztonságos távolságban a mozgó tartozéktól és hagyja hogy a szerszám egy percig maximális fordulatszámon működjön. Ha a tartozék sérült, akkor el fog törni e teszt során.

- Viseljen személyi védőfelszerelést. Aszerint, hogy mire használja a szerszámot, viseljen védőmaszkot, biztonsági- vagy védőszemüveget. Szükség esetén hordjon porvédő maszkot, hallásvédő eszközt (fülvédőt, fül dugót), kesztyűt, védőkötényt az idegen testek (súroló darabok, faforgács stb.) becsapódása elleni védelem érdekében. A védőszemüveg lehetővé teszi, hogy a kipattogó törmelék ne sértse meg a szemet. A porvédő maszk lehetővé teszi a munkafolyamat által keltett részecskék kiszűrését. Halláskárosodást okozhat, ha erős zajnak hosszabb időn keresztül ki van téve.
- A munkát szemlélőket tartsa megfelelő távolságban a munkaterülettől és ügyeljen arra, hogy hordjanak megfelelő védőfelszerelést. Bárki beléphet a munkaterületen kell viselniük egyéni védőeszközöket. A munkadarab ill. egy sérült tartozék töredékei a munkaterületen túlra repülhetnek és súlyos testi sérüléseket okozhatnak.
- A gépet kizárólag a szigetelt, csúszásgátló részénél fogja, ha olyan felületen dolgozik, amelyben elektromos vezeték lehet, vagy amikor olyan munkát kell végeznie, melynek során a tápvezeték a gép útjába kerülhet. A feszültség alatt lévő vezetékek történő érintkezés során a szerszám fém alkatrészei áram alá kerülhetnek, minek következtében a kezelőt áramütés érheti.
- Oly módon vezesse a hálózati tápvezetékét, hogy távol maradjon a forgásban lévő tartozéktól. Ha elveszíti uralmát a szerszám felett, a tápvezeték elszakadhat vagy becsípődhet és a keze ill. a karja a forgó tartozék felé mozdulhat el.
- Soha ne tegye le addig a szerszámot, amíg a tartozék teljesen le nem áll. A forgó tartozék érintkezésbe léphet azzal a felülettel, amelyre helyezték, emiatt elveszítheti a szerszám felett az uralmát.
- Szállítás közben soha ne működtesse a szerszámot. A forgó tartozék bekaphatja a ruháját és súlyos sérülést okozhat.
- Rendszeresen tisztítsa a szerszám szellőzőnyílásait. A motor légáramlása a motorház belsejébe szívja a port, ami által felhalmozódhatnak ott a fémrészecskék és ez áramütést idézhet elő.
- Ne használja a szerszámot gyúlékony, tűzveszélyes anyagok közelében. A szerszám által keltett szikrák meggyújthatják ezeket.
- Ne használjon hűtőfolyadékkal működő tartozékokat. A víz ill. a hűtőfolyadékok használata áramütést okozhat.





TOVÁBBI BIZTONSÁGI ELŐÍRÁSOK MINDEN MŰVELETRE

Visszarúgás és ahhoz kapcsolódó figyelmeztetések

A megugrás egy olyan hirtelenszerű reakció, amely akkor léphet fel, ha a mozgásban lévő csiszolókorong, talp, drótkéfe vagy egyéb tartozék beszorul vagy elgörbül, ami az adott tartozék gyors blokkolásában nyilvánul meg. A szerszám tovább működik, így a tartozék használati irányával ellenkező irányban megdobja a szerszámot.

Például, ha egy vágótárcsa beszorul vagy elgörbül a munkadarabban, akkor a tárcsa éle belemélyülhet a munkadarab felületébe, ami a tárcsát a munkadarabról hirtelen a szerszámot használó személy irányába ill. – a leblokkolt tárcsa forgásirányának függvényében – távolra is vetheti. A kerék akkor sem ugrik irányába, vagy távol az üzemeltető, attól függően, irány a kerék mozgását pontosan csipkedte. Megugrás esetén a vágótárcsa el is törhet.

A megugrás ily módon a szerszám nem megfelelő használatának és/vagy a helytelen használati módoknak / körülményeknek az eredménye. Néhány óvintézkedés meghozatalával ill. figyelmes betartásával azonban elkerülhető ez a veszélyes jelenség.

- a) **Tartsa erősen a szerszámot és oly módon pozicionálja a testét és a kezeit, hogy egy esetleges megugrást kontrollálni tudjon.** Ha a szerszámon segédfogantyú van, mindig ügyeljen a fogására. Ekkor optimális kontroll alatt tartja a szerszámot egy esetleges megugrás vagy a szerszám beindítása során jelentkező ellenhatás-nyomaték esetén. Hozza meg a szükséges intézkedéseket ahhoz, hogy uralma alatt maradjon a szerszám megugrás vagy ellenhatás-nyomaték esetén.
- b) **Soha ne helyezze a kezét a forgó tartozék közelébe, a súlyos testi sérülések veszélyének elkerülése érdekében.** Tartozékok kezéin át.
- c) **Ne helyezkedjen abba a térrészbe, ahova a szerszám kibővízhető egy esetleges megugrás esetén.** Megugrás esetén a szerszám a tárcsa forgásirányával ellentétes irányba repül ki.
- d) **Különös figyelemmel járjon el, ha sarkokon, éles peremeken stb. dolgozik. Kerülje a tartozék megcsúszását és beszorulását.** Amikor sarkokon, éles peremeken dolgozik, vagy megcsúszik a szerszám, akkor a tartozék blokkolásának – ily módon az uralom elvesztésnek és a szerszám megugrásának – nagyobb a veszélye.
- e) **Soha ne használjon ezzel a szerszámmal fadaraboló- és fűrésztárcsát.** Az ilyen típusú tárcsák növelik a szerszám megugrásának és uralomvesztésének veszélyét.

A CSISZOLÁSI MŰVELETRE VONATKOZÓ TOVÁBBI BIZTONSÁGI UTASÍTÁSOK

A CSISZOLÁSI MŰVELETRE VONATKOZÓ SPECIÁLIS FIGYELMEZTETÉSEK:

- a) **Csak a géphez javasolt tárcsákat használja, melyekhez van speciális védőburkolat.** Azok a tárcsák, melyeknek használatára a gép nincs felkészítve, nem védhetők megfelelően és ezért nem biztonságosak.
- b) **A súllyesztett középső furatú korongokat úgy kell felszerelni, hogy a védőburkolat pereme alá kerüljenek.** A védőburkolat peremének síkján átnyúló, rosszul felszerelt korongnak nem megfelelő a védelme.
- c) **A védőt biztosan kell rögzíteni a gépen, és úgy kell beállítani, hogy a maximális biztonságot nyújtsa, azaz a tárcsa lehető legkisebb nem védett része nézzen a kezelő felé.** A védőburkolat megvédi a kezelőt az összetört tárcsa darabjaitól, a tárcsa véletlen megérintésétől és a szikráktól, amelyek meggyújtják a ruhát.
- d) **A tárcsákat csak a javasolt alkalmazásokra szabad használni.** Ezért ne csiszoljon például a vágótárcsa oldalával. A csiszoló vágótárcsák oldalirányú csiszolásra valók, ezért nagy oldalsó erőknél vannak kitéve, melyek akár a tárcsa összetörését is okozhatják.
- e) **Mindig sérülésektől mentes tárcsarögzítő peremeket használjon, melyek mérete és alakja megfelelő a kiválasztott tárcsához.** A tárcsarögzítő peremek megtámasztják a tárcsát, így csökkentik a tárcsa eltörésének veszélyét. A vágótárcsák rögzítőperemei különbözhetnek a csiszolókorongokhoz szükséges peremektől.
- f) **Ne használjon nagyobb gépekről származó elhasznált tárcsákat.** A nagyobb szerszámgépekhez való tárcsák a kisebb gépeken a nagyobb fordulatszám miatt nem használhatók, mert szétrobbanhatnak.

SAROKCSISZOLÓ BIZTONSÁGI FIGYELMEZTETÉSEK

- a) Ellenőrizze, hogy a csiszolókorongon feltüntetett fordulatszám-érték nagyobb vagy egyenlő legyen, mint a szerszám névleges fordulatszám-értéke.
- b) Bizonyosodjon meg arról, hogy a csiszolókorong méretei (átmérő) megfelelőek legyenek a szerszámhoz és hogy a korong tökéletesen illeszkedjen a tengelyre.
- c) A csiszolókorongokat száraz helyen tárolja.
- d) Soha ne tegyen semmilyen tárgyat a korongokra.
- e) A csiszolókorongokat kizárólag csiszolásra szabad használni.
- f) A korongok tárolását és kezelését elővigyázatosan, a gyártó cég utasításai szerint kell végezni.
- g) A csiszolókorong használata előtt bizonyosodjon meg arról, hogy a korong ne legyen csorbult vagy repedt. Ilyen esetben a korong eltörhet és ez súlyos testi



sérüléssel járó balesetet eredményezhet.

- h) Bizonyosodjon meg arról, hogy a korong a jelen útmutatóban lévő utasításoknak megfelelően legyen felszerelve.
- i) A sarokcsiszoló használata előtt bizonyosodjon meg arról, hogy a korongot jól tette-e fel és rendesen megszorította-e. Ezután használja a szerszámot üresjáraton 30 másodpercig, eközben tartsa úgy, hogy az ne legyen senkire és semmire nézve veszélyes. Ha a készülék túlságosan vibrál ill. ha bármilyen más problémát érez, azonnal állítsa le a készüléket. Ilyenkor ellenőrizze a készüléket és keresse meg a probléma okát.
- j) Nem szabad szűkítő közgyűrűvel, támcsavarral stb. nagyobb lyukátmérőjű, a készülékhez nem alkalmas korongot használni.
- k) Ellenőrizze, hogy a munkadarab / megmunkálandó felület kellő módon rögzítve legyen.
- l) Kizárólag RYOBI által előírt korongot használjon a szerszámmal.
- m) Bizonyosodjon meg arról, hogy a készülék használatakor keletkező szikrák ne idézzenek elő veszélyes helyzetet, vagyis hogy például ne pattanhassanak emberekre vagy gyúlékony anyagokra.
- n) Munka közben viseljen mindig védőszemüveget és fülvédőt.
- o) Amennyiben szükséges, használjon más olyan személyes védőfelszereléseket is, mint pl. védőkesztyű, -kötény vagy -sisak.
- p) Soha ne tegye a bekapcsolt készüléket földre ill. más felületre. A sarokcsiszoló kikapcsolása után a korong még lendületből forog pár másodpercig. Soha ne érintse és ne tegye le a földre ill. bármilyen más felületre a csiszolót forgó koronggal.
- q) A korong alátét ill. a külső alátét külső átmérője meg kell hogy egyezzen.
- r) A szerszámot kizárólag olyan munkálatokra használja, amelyre azt tervezték. Soha ne használjon hűtővizet vagy hűtőfolyadékot. Ne használja a szerszámot fixen kitémasztva vagy befogva.
- s) A sarokcsiszolót két kézzel szilárdan fogva használja.

RENDELTETÉSSZERŰ HASZNÁLAT

Csiszolás fémek

A szerszámot kizárólag olyan munkálatokra használja, amelyre azt tervezték. A szerszám gép rendeltetésétől eltérő műveletekre való használata veszélyes helyzeteket eredményezhet.

KARBANTARTÁS

▲ FIGYELEM

Semmilyen beállítást ne végezzen a készüléken, ha a motor üzemben van.

Alkatrészcsere, olajozás és minden karbantartási művelet előtt mindig húzza ki a tápkábelt az elektromos hálózatból.

- Használat után ellenőrizze, hogy a készülék jó, üzemképes állapotban van-e.
- Tanácsos évente legalább egyszer egy hivatalos, szerződött Ryobi Szervizközpontba vinni a készüléket általános tisztításra és olajozásra.
- Ha a tápkábel sérült, azt a veszélyek elkerülése érdekében csak a gyártó vagy annak hivatalos szervizközpontja cserélheti ki. Lépjen kapcsolatba egy hivatalos szervizközponttal

▲ FIGYELEM

A biztonság és megbízhatóság érdekében minden javítási munkálatot egy hivatalos, szerződött Ryobi Szervizközpontban végeztessen el.

KÖRNYEZETVÉDELLEM



Segítse elő az alapanyagok újrahasznosítását azzal, hogy nem helyezi el őket a háztartási szemétként. Környezetvédelmi megfontolásból az elhasznált gépet és tartozékokat, valamint a csomagolóanyagokat szelektív módon kell gyűjteni.

SZIMBÓLUMOK



Biztonsági figyelmeztetés



II. osztályú berendezés, kettős szigetelés



Kérjük, olvassa át gondosan ezt az útmutatót a termék beindítása előtt.



Viseljen fülvédőt



Viseljen szemvédőt



Viseljen pormaszkot.



Ne használjon kicsorbult, repedt vagy hibás csiszolókorongot



Nem használható nedves csiszolásra. A víz ill. a hűtőfolyadékok használata áramütést okozhat.



Viseljen biztonsági védőkesztyűt



Eurázsiai megfelelőségi jelzés.



CE megfelelőség



A kiselejtezett elektromos termékeket nem szabad a háztartási hulladékkal együtt kidobni. Ezeket újra kell hasznosítani, ha van rá lehetőség. Az újrahasznosításban érdeklődjön a helyi önkormányzatnál vagy a termék forgalmazójánál.

**⚠ AVERTISMENT**

Citiți, cu atenție, toate avertismentele și toate instrucțiunile. Nerespectarea acestor instrucțiuni ar putea provoca accidente, cum ar fi incendii, electrocutare și/sau răni corporale grave.

Păstrați aceste avertismente și instrucțiuni, pentru a le putea consulta ulterior.

AVERTIZĂRI DE SIGURANȚĂ POLIZOR UNGHIULAR**MĂSURILE DE SIGURANȚĂ PENTRU POLIZOARE:**

- a) **Acest aparat este conceput pentru a fi utilizat ca polizor. Citiți, cu atenție, toate avertismentele, instrucțiunile și specificațiile furnizate împreună cu aparatul, și consultați ilustrațiile.** Nerespectarea instrucțiunilor prezentate în continuare poate provoca accidente cum ar fi incendii, electrocutare și/sau vătămări corporale grave.
- b) **Operațiile, precum șlefuirea, perierea, lustruirea sau tăierea, nu sunt recomandate a fi efectuate cu această unealtă electrică.** Nerespectarea acestei reguli poate produce accidente și vătămări corporale grave.
- c) **Nu utilizați accesorii care nu sunt concepute special pentru acest aparat și care nu sunt recomandate de către producător.** Chiar dacă un accesoriu se poate monta pe aparat, acesta nu garantează că veți putea utiliza aparatul în deplină siguranță.
- d) **Viteza nominală a accesoriului trebuie să fie egală sau mai mare decât viteza maximă indicată pe aparat.** Accesoriile care funcționează la o viteză mai mare decât viteza lor nominală se pot rupe și pot fi aruncate.
- e) **Diametrul exterior al accesoriului și grosimea acestuia trebuie să corespundă caracteristicilor specificate pentru aparat.** În cazul în care accesoriile nu corespund caracteristicilor date, sistemele de protecție și de reglare ale aparatului nu vor putea funcționa corect.
- f) **Montarea accesoriilor cu filet trebuie să se potrivească cu filetul axului aparatului de șlefuit. Pentru accesoriile montate cu flanșe, gaura arborelui accesoriului trebuie să se potrivească cu diametrul dispus a flanșei.** Accesoriile care nu se potrivesc cu echipamentul de montare a sculei electrice își vor pierde echilibrul, vor vibra excesiv și pot cauza pierderea controlului.
- g) **Nu utilizați accesorii deteriorate. Înainte de fiecare utilizare, verificați dacă accesoriul pe care-l utilizați este în stare corespunzătoare: asigurați-vă că discurile abrazive nu sunt știrbite sau fisurate, că tălpile nu sunt crăpate sau uzate, că firele perilor metalice nu sunt foarte uzate sau rupte. În cazul căderii aparatului sau accesoriului, verificați ca niciun element să nu fie deteriorat și, dacă este nevoie, instalați un accesoriu nou. După ce ați verificat că accesoriul este în stare corespunzătoare și după ce l-ați instalat, îndepărtați-vă de accesoriul mobil și lăsați aparatul timp de un minut să ajungă la viteza maximă. În cazul în care accesoriul este deteriorat, acesta se va rupe în timpul acestui test.**
- h) **Purtați echipament de protecție personală. În funcție de utilizarea aparatului dumneavoastră, purtați o mască de protecție, ochelari de siguranță sau ochelari de protecție. Dacă este necesar, purtați o mască antipraf, protecții auditive, mănuși și un șorț pentru a vă proteja de proiectarea de corpuri străine (elemente abrazive, așchii de lemn, etc.).** Ochelarii de protecție vă permit să evitați ca proiectiile de resturi să vă rănească ochii. Măștile antipraf permit filtrarea particulelor generate de operația pe o care o faceți. Expunerea prelungită la un zgomot de intensitate mare poate duce la pierderea auzului.
- i) **Țineți vizitatorii la o distanță suficientă de zona de lucru și asigurați-vă că aceștia poartă echipament de protecție. Oricine intră în zona de lucru trebuie să poarte echipament personal de protecție.** Este posibil ca fragmente din piesele de prelucrat sau de la un accesoriu rupt să fie proiectate dincolo de zona de lucru și să provoace vătămări corporale grave.
- j) **Nu țineți aparatul decât de părțile izolate și antiderapante când lucrați pe o suprafață care poate ascunde fire electrice sau când lucrarea de efectuat poate aduce cablul de alimentare pe traiectoria aparatului.** Accesoriul de tăiere ce intră în contact cu un cablu sub curent ar putea alimenta electric părțile metalice expuse ale unelei electrice și ar putea expune operatorul la un șoc electric.
- k) **Așezați cablul de alimentare în așa fel încât să fie la distanță de accesoriul în rotație.** În cazul în care pierdeți controlul aparatului, cablul de alimentare ar putea fi tăiat sau s-ar putea agăța, iar mâna sau brațul dumneavoastră ar putea fi antrenată spre accesoriul în rotație.
- l) **Nu așezați niciodată aparatul înainte ca accesoriul să se fi oprit complet.** Accesoriul în rotație ar putea intra în contact cu suprafața pe care este așezat, ducând la pierderea controlului asupra aparatului.
- m) **Nu lăsați aparatul în funcțiune când îl transportați.** Accesoriul în rotație ar putea să se agățe în îmbrăcămintea dumneavoastră și v-ar putea răni grav.
- n) **Curățați în mod regulat orificiile de ventilație ale aparatului.** Ventilația motorului face ca praful să pătrundă în interiorul carcasei motorului, ceea ce poate produce o acumulare excesivă de particule metalice și poate provoca șocuri electrice.
- o) **Nu utilizați aparatul în apropiere de produse inflamabile.** Scântelele ar risca să le aprindă.
- p) **Nu utilizați accesorii care necesită lichide de răcire.** Utilizarea apei sau a lichidelor de răcire poate cauza electrocutări sau șocuri electrice.



INSTRUCȚIUNI SUPLIMENTARE DE SIGURANȚĂ PENTRU TOATE OPERAȚIUNILE

Reculul și alte avertizări asociate

Reculul este o reacție bruscă, care are loc când discul în mișcare, talpa, peria sau orice alt accesoriu se agață sau se îndoiește, ceea ce antrenează blocarea rapidă a accesoriului. Aparatul, care continuă să funcționeze, proiectează atunci aparatul în direcția opusă sensului de utilizare a accesoriului.

De exemplu, dacă un disc abraziv se agață sau se îndoiește în piesa de prelucrat, există riscul ca tăișul discului să intre în suprafața materialului, ceea ce va face ca discul să iasă brusc din aceasta sau să fie proiectat. Discul poate sări sau nu către din partea operatorului, în funcție de direcția de mișcare roata de la punctul de blocare. În caz de recul, discul abraziv se poate și rupe.

Reculul este deci rezultatul unei utilizări incorecte a aparatului și/sau al procedurilor sau al condițiilor de utilizare incorecte. Reculul poate fi evitat printr-o atenție deosebită acordată respectării unor precauțiuni:

- a) **Țineți aparatul cu putere și poziționați-vă corpul și brațele astfel încât să puteți controla un eventual recul.** Dacă aparatul are un mâner auxiliar, țineți-l întotdeauna pentru a avea un control optim asupra aparatului în caz de recul sau cuplu de reacție când puneți aparatul în funcțiune. Luați măsurile necesare pentru a putea controla aparatul în caz de recul sau de cuplu de reacție.
- b) **Nu vă așezați mâna niciodată în apropierea accesoriului în rotație pentru a evita orice risc de răni corporale grave în caz de recul.** Accesoriul poate recula peste mâna dumneavoastră.
- c) **Nu vă așezați în zona în care există riscul ca aparatul să fie proiectat în caz de recul.** În caz de recul, aparatul este proiectat în direcția opusă sensului de rotație al discului.
- d) **Fiți foarte atenți când lucrați pe unghiuri, muchii tăioase, etc. Evitați deraparea sau blocarea accesoriului.** Când lucrați pe unghiuri sau muchii tăioase sau când aparatul derapează, există un risc mai mare de blocare a accesoriului și deci de pierdere a controlului asupra aparatului și de provocare a unui recul.
- e) **Nu utilizați niciodată lamă de ferăstrău cu lanț pentru lemn sau lamă de ferăstrău cu acest aparat.** Astfel de lame măresc riscul de recul și de pierdere a controlului asupra aparatului.

INSTRUCȚIUNI DE SIGURANȚĂ SUPLIMENTARE PENTRU OPERAȚII DE ȘLEFUIRE

AVERTISMENTE SPECIFICE DE SIGURANȚĂ PRIVIND OPERAȚIILE DE ȘLEFUIRE:

- a) **Utilizați numai flanșele recomandate pentru unealta dvs. electrică și elementul de apărare specifi proiectat pentru unealta selectată.** Discurile care nu

sunt compatibile cu mașina electrică nu pot fi protejate adecvat și nu sunt sigure.

- b) **Suprafața de șlefuire a discului cu centrul scăzut trebuie să fie montat sub planul buzei apărătorii.** Orice disc montat necorespunzător ce depășește planul buzei apărătorii nu poate fi corespunzător protejat.
- c) **Elementul de apărare trebuie atașat în siguranță la unealta electrică și poziționat pentru o siguranță maximă, astfel încât doar o mică parte din piatră să fie expusă înspre operator.** Apărătoarea ajută la protejarea operatorului de fragmente desprinse de pe disc și contactul accidental cu discul și scânteele ce pot aprinde hainele.
- d) **Pietrele trebuie folosite numai pentru aplicațiile recomandate. De exemplu, nu șlefuiți cu partea laterală a pietre abrazive.** Discurile abrazive de tăiere sunt destinate pentru polizarea periferică, forțele laterale aplicate asupra acestor discuri poate provoca spargerea lor.
- e) **Întotdeauna utilizați flanșe nedeteriorate, având mărimea și forma corecte pentru piatra selectată.** Flanșele corespunzătoare sprijină piatra, reducând astfel posibilitatea sfărâmării pietrei. Flanșele pentru pietrele abrazive de retezare pot diferi de flanșele discurilor de rectificare.
- f) **Nu utilizați pietre uzate aparținând altor unelte electrice mai mari nu sunt adecvate pentru viteza mai mare a unei unelte mici și se pot sparge.**

AVERTIZĂRI DE SIGURANȚĂ POLIZOR UNGHIULAR

- a) Verificați dacă viteza indicată pe discul de polizare este egală sau mai mare decât viteza nominală a utilajului.
- b) Asigurați-vă că diametrul discului de polizare este compatibil cu utilajul și că discul se inserează corect pe ax.
- c) Discurile de polizare trebuie păstrate într-un loc uscat.
- d) Nu așezați nici un obiect pe discuri.
- e) Discurile nu trebuie folosite în alte scopuri decât pentru operațiuni de polizare.
- f) Discurile trebuie să fie păstrate și manipulate cu precauție, în conformitate cu instrucțiunile producătorului.
- g) Înainte de a utiliza discul de polizare, asigurați-vă că acesta nu este știrbit sau fisurat. În aceste cazuri discul se poate sparge, ceea ce poate duce la răni corporale grave.
- h) Asigurați-vă că discul este instalat în conformitate cu instrucțiunile din acest manual.
- i) Înainte de a utiliza polizorul, asigurați-vă că discul de polizare este montat și strâns corect, apoi lăsați utilajul să meargă în gol timp de 30 de secunde orientându-l în așa fel încât să nu prezinte nici un pericol. Oprți imediat utilajul dacă acesta vibrează excesiv sau dacă observați alte anomalii. În acest caz, controlați utilajul



pentru a determina cauza problemei.

- j) Nu utilizați inele reductoare sau adaptoare pentru a reduce diametrul de prindere a discurilor cu orificii largi.
- k) Asigurați-vă că piesa de prelucrat este fixată corect.
- l) Nu utilizați decât discuri de polizare recomandate de RYOBI.
- m) Asigurați-vă că scânteile produse de utilizarea aparatului nu produc situații periculoase, că nu sunt proiectate asupra persoanelor sau a unor substanțe inflamabile.
- n) Purtați întotdeauna ochelari de protecție și protecții auditive.
- o) Dacă este necesar, utilizați și alte mijloace de protecție individuală, cum ar fi mănuși, șorțuri sau căști.
- p) Nu puneți niciodată utilajul pe sol sau pe alte suprafețe atunci când acesta este în funcțiune. Polizorul se învâрте din inerție după oprirea utilajului. Nu atingeți niciodată polizorul și nu îl puneți pe sol sau pe alte suprafețe atunci când este în mișcare.
- q) Flanșa și șurubul de strângere trebuie să aibă același diametru exterior.
- r) Folosiți aparatul numai pentru lucrările pentru care a fost conceput. Nu utilizați niciodată lichid de răcire sau apă. Nu utilizați polizorul ca utilaj fix.
- s) Atunci când utilizați aparatul, țineți-l ferm cu două mâini.

DOMENIU DE APLICAȚII

Șlefuire metale

Folosiți aparatul numai pentru lucrările pentru care a fost conceput. Utilizarea uneltei electrice pentru alte operații decât cele preconizate poate duce la situații periculoase.

ÎNȚEȚINEREA

▲ AVERTISMENT

Nu efectuați nici un reglaj când motorul este în mișcare. Scoateți de fiecare dată cablul de alimentare din priză înainte de a înlocui o piesă de schimb sau consumabilă, înainte de a unge unitatea și înainte oricărei operațiuni asupra unității.

- După utilizare, asigurați-vă vizual că mașina este în bună stare de funcționare.
- Este recomandat să aduceți aparatul o dată pe an la un Centru Service Agreat Ryobi pentru ungere și curățare completă.
- Dacă cordonul de alimentare electrică este deteriorat, acesta trebuie înlocuit de către producător sau de către un centru de service autorizat pentru a evita riscurile. Contactați Centrul de service autorizat

▲ AVERTISMENT

Pentru mai multă siguranță și fiabilitate, toate reparațiile trebuie efectuate de către un Centru Service Agreat Ryobi.

PROTECȚIA MEDIULUI ÎNCONJURĂTOR



Reciclați materiile prime în loc să le aruncați la gunoi, împreună cu deșeurile menajere. Pentru a proteja mediul înconjurător, mașina, accesoriile acesteia și ambalajele trebuie triate.

SIMBOLURI



Avertizare de siguranță



Echipament clasa a II-a, izolarea dublă



Citiți instrucțiunile cu atenție înainte de pornirea produsului.



Purtați echipamente de protecție a auzului



Purtați echipamente de protecție a vederii



Purtați mască de praf.



Nu folosiți disc de șlefuire ciobit, crăpat sau defect



Nu este permis pentru șlefuire la umed. Utilizarea apei sau a lichidelor de răcire poate cauza electrocutări sau șocuri electrice.



Purtați mănuși de protecție



Marcaj de conformitate EurAsian.



Conform CE



Deșeurile produselor electrice nu trebuie eliminate împreună cu deșeurile casnice. Vă rugăm reciclați acolo unde există facilități. Verificați la autoritatea dvs locală sau la vânzător pentru sfaturi privind reciclarea.

**▲ BRĪDINĀJUMS**

Izlasiet visus drošības tehnikas brīdinājumus un instrukcijas. Brīdinājumu un instrukciju neievērošana ir bīstama; tā var izraisīt elektrisko triecienu, aizdegšanos un/vai nopietnas traumas.

Saglabājiet visus brīdinājumus un instrukcijas uzziņām nākotnē.

LENĶA SLĪPMAŠĪNA DROŠĪBAS BRĪDINĀJUMI**DROŠĪBAS TEHNIKA SLĪPĒŠANAI:**

- a) Šo elektroinstrumentu var lietot slīpēšanai. Izlasiet visus drošības brīdinājumus, instrukcijas, specifikācijas un apskatiet attēlus šī elektroinstrumenta dokumentācijā. Visu uzskaitīto instrukciju neievērošana ir bīstama; tā var izraisīt elektrisko triecienu, aizdegšanos un/vai nopietnas traumas.
- b) Ar šo elektroinstrumentu nav ieteicams veikt tādus darbus kā slīpēšana, slīpēšana ar stieplu suku, pulēšana vai griešana. Veikt darbus, kuriem šis elektroinstrumenta nav paredzēts, ir bīstami, un tas var izraisīt traumas.
- c) Neizmantojiet griezēj-/slīpinstrumentus, kas nav speciāli paredzēti un ražotāja ieteikti šim instrumentam. Tas, ka piederumu var piestiprināt elektroinstrumentam, nenozīmē, ka tā lietošana ir droša.
- d) Piederuma nominālajam ātrumam jābūt vismaz vienādam vai maksimālajam, kas norādīts uz elektroinstrumenta. Piederumi, kas kustās ātrāk par nominālo ātrumu, var salūzt un lidot uz visām pusēm.
- e) Piederuma ārējam diametram un biezumam jāatbilst elektroinstrumenta specifikācijām. Nepareiza izmēra griezēj-/slīpinstrumentus nevar atbilstoši nodrošināt un kontrolēt.
- f) Piederumus, kurus uzstāda ar vītņi, jāpārliecinās, ka tie ir saderīgi ar slīpmašīnas vārpstas vītņi. Piederumiem, kurus uzstāda ar atlokiem, jāpārliecinās, ka tapnis ir saderīgs ar atloka diametru. Piederumi, kas neatbilst standarta uzstādīšanai, būs nestabili, pārlieku vibrēs un var zaudēt kontroli.
- g) Nelietojiet bojātus piederumus. Pirms katras lietošanas reizes pārbaudiet griezēj- / slīpinstrumentu, piemēram, abrazīvos disku, vai tam nav atlūzu, plaisu, vai atbalstam nav plaisu vai pārlieka nodiluma, vai stieplu sukai nav vaļīgu vai salauztu sariņu. Ja elektroinstrumenti vai piederums nokrīt zemē, pārbaudiet, vai tas nav bojāts vai uzstādiet nebojātu piederumu. Pēc piederuma pārbaudes un uzstādīšanas nostāieties un nostādiēt citus tuvumā esošos prom no rotējošā piederuma ass un vienu minūti darbiniet elektroinstrumentu ar maksimālo bezslodzes ātrumu. Bojāti piederumi šīs pārbaudes laikā parasti

salūzīs.

- h) Valkājiet individuālos aizsarglīdzekļus. Atkarībā no pielietojuma valkājiet sejas aizsargu vai aizsargbrilles. Ja nepieciešams, valkājiet putekļu masku, dzirdes aizsargus, cimdus un darba priekšautu, kas var apturēt mazus abrazīvā materiāla vai sagataves fragmentus. Acu aizsargiem jāspēj apturēt dažādu darbu radītie lidojošie gruži. Putekļu maskai vai respiratoram jāspēj filtrēt daļiņas, kas rodas attiecīgā darba gaitā. Ilgstoša atrašanās ļoti intensīvā troksnī var izraisīt dzirdes traucējumus.
- i) Tuvumā esošajām personām jāatrodas drošā attālumā no darba vietas. Visiem, kas tuvojas darba zonai, jāvalkā individuālie aizsarglīdzekļi. Sagataves vai bojāta piederuma daļas var lidot un radīt traumas ārpus tiešās darba zonas.
- j) Darbos, kuros griešanas piederums var saskarties ar slēptiem vadiem vai savu barošanas vadu, turiet instrumentu tikai aiz izolētajām satveršanas virsmām. Griezējinstrumenta saskare ar strāvu vadošajām vietām var padarīt arī atklātās metāla daļas vadošas un radīt operatoram elektrisko triecienu.
- k) Novietojiet vadu atstātus no griezēj- / slīpinstrumenta. Zaudējot kontroli, vads var tikt pārzāģēts vai parauts, ievēkot jūsu roku rotējošajā piederumā.
- l) Nenolieciet elektroinstrumentu, līdz piederums nav pilnībā apstājies. Rotējošais piederums var ieķerties virsmā un radīt kontroles zudumu pār elektroinstrumentu.
- m) Nedarbiniet elektroinstrumentu, nesot to sev blakus. Nejauša saskare ar rotējošu griezēj-/slīpinstrumentu var ieraut drēbes, pievelkot griezēj- / slīpinstruments pie jūsu ķermeņa.
- n) Regulāri tīriet elektroinstrumenta ventilācijas atveres. Motora ventilators ievilkus putekļus korpusā, un pārāk liela metāla pulvera koncentrācija var izraisīt elektrisko bīstamību.
- o) Nelietojiet elektroinstrumentu uzliesmojošu materiālu tuvumā. Dzirksteles var aizdedzināt šos materiālus.
- p) Nelietojiet griezēj-/slīpinstrumentus, kam nepieciešami dzesēšanas šķidrums. Ūdens vai cita šķidrā dzesēšanas līdzekļa lietošana var izraisīt elektrisko triecienu vai nāvi.

**PAPILDU DROŠĪBAS NORĀDĪJUMI PAR VISĀM DAR-
BĪBĀM****Atsitiens un saistītie brīdinājumi**

Atsitiens ir pēkšņa reakcija uz diska, atbalsta, sukas vai cita piederuma iespīšanu vai ieķīlēšanos. Iespīšana izraisa strauju rotējošā griezēj-/slīpinstrumenta bloķēšanos, kas var likt elektroinstrumentam atbrīvoties no kontroles un virzīties pretēji griezēj-/slīpinstrumenta rotācijas virzienam saskares punktā.

Piemēram, ja abrazīvais disks ieķeras vai ieķīlās materiālā, iespīdusī diska mala var iespīsties materiāla



virmā, izraisot diska izlēcšanu vai atsitieni. Diskus var pārlekt uz priekšu vai prom no operatora atkarībā no diska rotācijas virziena iespēšanas vietā. Abrazīvie diski šādos apstākļos var arī salūzt.

Atsitens rodas no elektroinstrumenta nepareizas lietošanas un/vai nepareizas darba procedūras vai apstākļiem; no tā var izvairīties, veicot pareizus drošības pasākumus:

- Turiet elektroinstrumentu stingri un novietojiet ķermeni un rokas tā, lai tie pretotos atsitiena spēkiem.** Ja tāds ir, vienmēr izmantojiet papildu rokturi, lai palaišanas laikā nodrošinātu maksimālu kontroli pār atsitieni vai griezes reakciju. Operators var kontrolēt griezes reakciju vai atsitiena spēkus, ja ir veikti atbilstošie drošības pasākumi.
- Nenovietojiet rokas rotējošā griezē j - / slīpinstrumenta tuvumā.** Piederums var atsisties pāri jūsu rokai.
- Nenovietojiet ķermeni tur, kur virzītos elektroinstrumenta atsitiena gadījumā.** Atsitieni var kontrolēt griezes reakciju vai atsitiena spēkus, ja ir veikti atbilstošie drošības pasākumi.
- Esiet sevišķi uzmanīgs, kad strādājat pie stūriem, asām malām utt. Izvairieties no griezēj- / slīpinstrumenta lēkšanās un iespēšanas.** Stūriem, asām malām vai lēkšanai ir tendence iespiest rotējošo piederumu, kas var izraisīt kontroles zaudēšanu vai atsitieni.
- Nepiestipriniet ķēdi, koka griešanas asmeni vai zāģlenti.** Šie griezējinstrumenti rada biežus atsitienus un kontroles zaudēšanu.

PAPILDU DROŠĪBAS INSTRUKCIJAS SLĪPĒŠANAS DARBIEM

DROŠĪBAS BRĪDINĀJUMI SPECIĀLI SLĪPĒŠANAS DARBIEM:

- Izmantojiet tikai tāda veida diskus, kas paredzēti jūsu elektroinstrumentam, un speciālos aizsargus, kas paredzēti izvēlētajam diskam.** Diskus, kas nav paredzēti šim elektroinstrumentam, nevar pareizi vadīt, un to izmantošana nav droša.
- Aizsargam jābūt droši piestiprinātam elektroinstrumentam un novietotam maksimālai drošībai tā, lai pret operatoru būtu atklāta pēc iespējas mazāka diska daļa.** Aizsargs palīdz aizsargāt operatoru no atlūzušiem diska fragmentiem, netīšu saskari ar disku un dzirkstelēm, kas var aizdedzināt drēbes.
- Diskus drīkst lietot tikai tam paredzētajiem darbiem.** Piemēram, neslīpējiet ar griezējdiska sāniem. Abrazīvie griezējdiski ir paredzēti papildu slīpēšanai; šiem diskkiem pielikts spēks no sāniem var tos salauzt.
- Obligāti izmantojiet neobjātus disku atlokus ar pareizu izmēru un formu, kas piemērota attiecīgajam diskam.** Pareizi disku atloki atbalsta disku, samazinot diska salūšanas iespēju. Griezējdisku atloki var atšķirties no slīpēšanas disku atlokiem.

- Neizmantojiet nodilušus diskus no lielākiem elektroinstrumentiem.** Lielākiem elektroinstrumentiem paredzētie diski nav piemēroti maza darbarīka lielākam ātrumam un var saplīst.

PAPILDU DROŠĪBAS INSTRUKCIJAS SLĪPĒŠANAS DARBIEM

DROŠĪBAS BRĪDINĀJUMI SPECIĀLI SLĪPĒŠANAS DARBIEM:

- Izmantojiet tikai tāda veida diskus, kas paredzēti jūsu elektroinstrumentam, un speciālos aizsargus, kas paredzēti izvēlētajam diskam.** Diskus, kas nav paredzēti šim elektroinstrumentam, nevar pareizi vadīt, un to izmantošana nav droša.
- Centrālais slīpdisks ir jāuzstāda zem aizsarga plaknes.** Aizsargs nevar pasargāt no nepareizi uzstādīta diska, kura diametrs ir lielāks nekā aizsargs.
- Aizsargam jābūt droši piestiprinātam elektroinstrumentam un novietotam maksimālai drošībai tā, lai pret operatoru būtu atklāta pēc iespējas mazāka diska daļa.** Aizsargs palīdz aizsargāt operatoru no atlūzušiem diska fragmentiem, netīšu saskari ar disku un dzirkstelēm, kas var aizdedzināt drēbes.
- Diskus drīkst lietot tikai tam paredzētajiem darbiem.** Piemēram, neslīpējiet ar griezējdiska sāniem. Abrazīvie griezējdiski ir paredzēti papildu slīpēšanai; šiem diskkiem pielikts spēks no sāniem var tos salauzt.
- Obligāti izmantojiet neobjātus disku atlokus ar pareizu izmēru un formu, kas piemērota attiecīgajam diskam.** Pareizi disku atloki atbalsta disku, samazinot diska salūšanas iespēju. Griezējdisku atloki var atšķirties no slīpēšanas disku atlokiem.
- Neizmantojiet nodilušus diskus no lielākiem elektroinstrumentiem.** Lielākiem elektroinstrumentiem paredzētie diski nav piemēroti maza darbarīka lielākam ātrumam un var saplīst.

LEŅĶA SLĪPMAŠĪNA DROŠĪBAS BRĪDINĀJUMI

- Pārbaudiet, vai ātrums, kas atzīmēts uz slīpripas, atbilst vai ir lielāks par instrumenta nominālo ātrumu.
- Pārliecinieties, ka slīpripas izmēri atbilst instrumentam un ka diski atbilst vārpstas izmēram.
- Slīpripas jāglabā sausā vietā.
- Neglabājiet priekšmetus uz slīpripām.
- Slīpripas nedrīkst izmantot nedrīkst izmantot citiem darbiem, izņemot slīpēšanu.
- Slīpripas jāglabā un ar tām jārikojas uzmanīgi atbilstoši ražotāja instrukcijām.
- Pirms lietošanas pārbaudiet slīpripu, lai pārliecinātos, ka tā nav sākusī dalīties vai ieplaisājusi. Dalīšanās (skaidās) vai plaisas var izraisīt diska saplīšanu, kas var radīt nopietnas traumas.
- Diskam jābūt piestiprinātam atbilstoši šai rokasgrāmatai.





- i) Pirms lietošanas pārbaudiet, vai slīpriņa ir pareizi uzstādīta un pievilkta, un drošā pozīcijā darbiniet instrumentu bezslodzes ātrumā 30 sekundes. Ja instruments sāk pastiprināti vibrēt vai ja pamanāt citus defektus, nekavējoties apturiet darbu. Ja kas tāds ir atgadījies, pārbaudiet instrumentu, lai noteiktu iemeslu.
- j) Neizmantojiet atsevišķus ieliktnus vai adapterus, lai pielāgotu slīpriņas ar lielāku iekšējo diametru.
- k) Pārbaudiet, vai sagatave tiek pareizi balstīta.
- l) Blīzmantojiet tikai RYOBI apstiprinātās slīpriņas.
- m) Pārliecinieties, lai dzirksteles, kas rodas no lietošanas, neradītu bīstamību, piemēram, atsitoties pret cilvēkiem vai aizdedzinot uzliesmojošas vielas.
- n) Vienmēr izmantojiet aizsargbrilles un ausu aizsargus.
- o) Izmantojiet citus individuālos aizsarglīdzekļus, piemēram, cimdus, priekšautu un ķiveri, ja nepieciešams.
- p) Nenovietojiet instrumentu uz grīdas vai citām virsmām, kamēr tas darbojas. Slīpriņas turpina rotēt arī pēc instrumenta izslēgšanas. Nepieskarieties diskam un novietojiet to uz grīdas vai citām virsmām, kamēr tas griežas.
- q) Atlokam un stiprinājuma uzgriežnim jābūt vienam ārējam diametram.
- r) Izmantojiet instrumentu tikai tā paredzētajam pielietojumam. Neizmantojiet dzesešanas šķidrums vai ūdeni un neizmantojiet šo kā stacionāru instrumentu.
- s) Darba laikā droši satveriet instrumentu ar abām rokām.

PAREDZĒTĀ LIETOŠANA

Slīpēšana metāli

Izmantojiet instrumentu tikai tā paredzētajam pielietojumam. Izmantojot elektroinstrumentu darbībā, kas nav paredzētas, var rasties bīstama situācija.

APKOPE

▲ BRĪDINĀJUMS

Neveiciet nekādus regulēšanas darbus, kamēr motors kustās.

Vienmēr atvienojiet barošanas vadu no kontaktlīdzdas, pirms maināt apmaināmās vai nolietojamās daļas, pirms elļojat vai veicat darbus ar ierīci.

- Pēc lietošanas pārbaudiet instrumentu, lai pārliecinātos, ka tas ir labā tehniskā kārtībā.
- Vismaz vienreiz gadā ieteicams nogādāt šo instrumentu Ryobi pilnvarotā servisa centrā vispārējai tīrīšanai un elļošanai.
- Ja bojāts strāvas padeves vads, lai izvairītos no riska, to drīkst nomainīt tikai ražotājs vai pilnvarotā apkopes centrā. Sazinieties ar pilnvarotu servisa centru

▲ BRĪDINĀJUMS

Lai nodrošinātu drošību un uzticamību, visi remontdarbi jāveic PILNVAROTĀ SERVISA CENTRĀ vai citā KVALIFICĒTĀ SERVISA ORGANIZĀCIJĀ.

VIDES AIZSARDZĪBA



Tā vietā, lai izejmateriālus izmestu atkritumos, nododiet tos otrreizējai pārstrādei. Mašīna, aksesuāri un iepakojums ir jāsašķiro un jānodod videi draudzīgā atkārtotas pārstrādes vietā.

APZĪMĒJUMI



Drošības brīdinājums



II klases aprīkojums, dubultā izolācija



Pirms iedarbināt izstrādājumu, lūdzu, uzmanīgi izlasiet norādījumus.



Lietojiet dzirdes aizsargus



Valkājiet acu aizsarglīdzekļus



Valkājiet putekļu masku.



Neizmantojiet saplīsušus, ieplaisājušus un bojātus slīpēšanas diskus



Neizmantojiet slapjai slīpēšanai. Ūdens vai cita šķidra dzesešanas līdzekļa lietošana var izraisīt elektrisko triecienu vai nāvi.



Valkājiet aizsargcimdus



EurAsian atbilstības marķējums.



CE atbilstība



Izlietotie elektroprodukti nedrīkst tikt izmesti kopā ar majsaimniecības atkritumiem. Lūdzu, nododiet tos attiecīgajās atkārtotās izmantošanas vietās. Sazinieties ar savu vietējo varas pārstāvi vai izplatītāju, lai noskaidrotu, kur iespējama atkārtota pārstrāde.

**▲ ĮSPĖJIMAS**

Perskaitykite visus saugos įspėjimus ir nurodymus. Nesilaikant įspėjimų ir nurodymų, galima patirti elektros smūgį, gali kilti gaisras ir (arba) rimtai susižaloti.

Visus įspėjimus ir instrukcijas saugokite, nes jų gali prireikti ateityje.

KAMPINIS ŠLIFUOKLIS SAUGOS ĮSPĖJIMAI**ĮSPĖJIMAI APIE SAUGUMĄ TAIKOMI ŠLIFAVIMUI:**

- Šis elektrinis įrankis skirtas naudoti kaip šlifuklis. Perskaitykite visus saugos įspėjimus, visas instrukcijas, paveikslėlius ir techninius reikalavimus, pateikiamus su šiuo elektriniu įrankiu. Apačioje išdėstytų instrukcijų nesilaikymas gali sukelti elektros smūgį, gaisrą ir (ar) sunkius sužeidimus.**
- Tokie darbai kaip šlifavimas, šlifavimas su metaliniu šepetėliu, poliravimas ar nupjovimas šiuo elektriniu įrankiu yra nerekomenduojami.** Atliekant veiksmus, kuriems elektrinis įrankis nėra skirtas, galima sudaryti pavojų ir sukelti sunkius sužeidimus.
- Nenaudokite tokių priedų, kurie šiam darbui specialiai nėra skirti ir įrankio gamintojo nerekomenduoti.** Vien tik tai, kad priedą galima pritvirtinti prie Jūsų elektrinio įrankio, saugaus darbo ne užtikrina.
- Priedo nustatytas greitis turi būti lygus bent didžiausiam greičiui, pažymėtam ant elektrinio įrankio.** Priedai, kurie sukasi didesniu nei jų nustatytu greičiu, gali sulūžti, atsiskirti ir skrieti į šonus.
- Priedo išorinis skersmuo ir storis turi būti Jūsų įrankio nustatytos galios ribose.** Neteisingo dydžio priedų atitinkamai apsaugoti ar suvaldyti neįmanoma.
- Sriegiuoti montavimo priedai turi atitikti šlifuojuvų veleno sriegi. Priedus montuojant jungėmis, priedo ašies anga turi atitikti jungės fiksuojamąjį skersmenį.** Elektrinio įrankio montavimo techninės įrangos neatitinkantys priedai išsibalansuoja, pernelyg vibruoja ir įrankis gali tapti nevaldomas.
- Nenaudokite pažeistų priedų.** Prieš kiekvieną naudojimą priedą patikrinkite, ar diskai nėra nudužę ir įtrūkę, pagalbinis padelis įtrūkęs, detalės smarkiai nusidėvėjusios, metalinio šepetėlio vielutės atsilaisvinusios ar sutrūkusios. Elektrinį įrankį ar priedą numetus, būtina patikrinti, ar jie nepažeisti arba pakeisti priedą nepažeistu. Patikrinus ir pakeitus priedą, nuo besisukančio priedo plokštės būtina pasitraukti toliau bei neleisti žiūrėti į jo stovėti. Po to elektrinį įrankį reikia įjungti ir leisti jam vieną minutę veikti didžiausiu greičiu. Šio patikrinimo metu, pažeisti priedai paprastai sulūžta.
- Dėvėkite asmenines apsaugos priemones. Priklausomai nuo darbo paskirties, naudokite veido kaukę, apsauginius didesnius akinius ar saugos akinius. Jei taikytina, dėvėkite kaukę nuo**

dulkių, ausų apsaugą, pirštines ir darbinę prijuostę, atlaikantią mažas, šlifavimo metu susidariusias ar nuo ruošinio daleles. Apsauginiai akiniai turi apsaugoti akis, kad į jas nepatektų įvairaus darbo operacijų metu skriejančių dalelių. Kaukė nuo dulkių ar dujų turi filtruoti darbo metu susidariusias daleles. Dėl neapsaugotų ausų nuo didelio triukšmo ilgesnį laiką, galite klausą prarasti.

- Įsitikinkite, kad atstumas tarp įrankio ir pašalinių asmenų yra saugus. Visi asmenys, esantys darbo zonoje, privalo dėvėti asmenines apsaugos priemones.** Dalelės nuo ruošinio ar sulūžusio priedo gali skrieti į šalį ir jus sužeisti, jei stovite šalia apdirbamo ruošinio.
- Elektrinį įrankį laikykite tik izoliavę sukibimo paviršius, kad darbo metu pjovimo įrankio priedas nesusilietų su paslėptais laidais ar paties šlifuklio laidu.** Pjovimo metu priedas, prisilietęs prie laido, prijungto prie maitinimo šaltinio, gali aktyvuoti metalines elektrinio įrankio detales ir sukelti operatoriui elektros smūgį.
- Laidą laikykite kuo toliau besisukančio įrankio priedo.** Nesuvaldžius įrankio, jis laidą gali perpjauti ar jį užkabinti, bei jūsų ranką ar plaštaką įtraukti į besisukančią priedą.
- Niekada nedėkite įrankio žemyn, kol jo priedas visiškai nesustojo.** Besisukantis įrankio priedas gali pagriebti paviršių ir dėl to galite įrankio nesuvaldyti.
- Elektrinį prietaisą nešdami šone, prieš tai jį išjunkite.** Besisukančiam įrankio priedui atsitiktinai prisilietus prie Jūsų, jis gali pagriebti drabužius ir priedas gali būti įtrauktas į Jūsų kūną.
- Reguliariai valykite elektrinio įrankio oro ventiliacijos aneles.** Variklio ventiliatorius įsibrūvia į korpuso vidų dulkes ir per didelį susikaupusių metalo dalelių kiekis gali kelti su elektra susijusius pavojus.
- Nenaudokite elektrinio įrankio šalia degių medžiagų.** Kibirkštys gali šias medžiagas uždegti.
- Nenaudokite tokių priedų, kuriems reikalingas aušinimo skystis.** Naudojant vandenį ar kitą aušinimo skystį galima sukelti elektros smūgį ar nuo elektros žūtį.

DAUGIAU SAUGOS INSTRUKCIJŲ VISIEMS DARBAMS ATLIKTI**Atatranka ir su ja susiję įspėjimai**

Atgalinis smūgis yra staigi reakcija į sugnybtą ar užkabintą besisukančią diską, pagalbinį padelį, šepetėlį ar bet kokį kitą įrankio priedą. Sugnybus ar užkabinus, besisukantis priedas greitai prigesta, o dėl to nevaldomas įrankis atšoksta priešinga įrankio priedui sukimosi kryptimi sukibimo vietoje.

Pavyzdžiui, jei abrazyvinį diską sugnybia ar užkabina ruošinys, tas disko kraštas, kuris prisiliecia prie sugnybimo taško, gali įlysti į medžiagos paviršių, ir dėl to diskas išlenda ar iššoksta atgal. Diskas gali iššokti link operatoriaus arba nuo jo, priklausomai nuo sugnybimo taško disko sukimosi krypties. Tokiais atvejais, abrazyviniai diskai gali taip pat



sulūžti.

Atatranka yra netinkamo naudojimo elektrinio įrankio ir (ar) klaidingo darbo proceso ar sąlygų rezultatas. Jos galima išvengti laikantis atitinkamų žemiau išdėstytų apsaugos priemonių.

- a) **Pjūklą tvirtai laikykite rankomis, o ranką ir kūną laikykite taip, kad jie išlaikytų atgalinio smūgio jėgą.** Visada naudokite pagalbinę rankeną (jei ji pridėdama), kad atgalinį smūgį ar sukimo momentą užvedimo metu galėtumėte geriausiai suvaldyti. Jei operatorius laikosi tinkamų atsargumo priemonių, jis sūkio reakcijos ir atgalinio smūgio jėgas gali suvaldyti.
- b) **Rankų niekada nedėkite šalia besisukančio įrankio priedo.** Priedas gali atšokti atgal į Jūsų ranką.
- c) **Nestovėkite tokioje zonoje, į kurią elektrinis įrankis atgalinio smūgio metu būtų nusviestas.** Atgalinio smūgiu metu po užkabinimo įrankis nustumiamas kryptimi, priešinga disko sukimuisi.
- d) **Apdirbdami kampus, smailius kraštus ir t. t., būkite ypač atsargūs. Stenkitės priedo neužkabinti ir neatlikti tokių veiksmų, kad priedas šokinėtų.** Kampai, smailūs kraštai ar šokinėjimas dažnai užkabina besisukančią įrankio priedą, ir dėl to įrankis nesuvaldomas ar įvyksta atgalinis smūgis.
- e) **Netvirtinkite grandininio pjūklo medžio drožinėmis geležtės ar dantytos pjūklo geležtės.** Tokios geležtės dažnai sukelia atgalinį smūgį ar dėl jų įrankis nesuvaldomas.

PAPILDOMI SAUGUMO NURODYMAI ŠLIFAVIMO DARBAMS

ĮSPĖJIMAI DĖL SAUGOS ATLIEKANT TIK ŠLIFAVIMO DARBUS:

- a) **Naudokite tik tokius diskų tipus, kurie rekomenduojami Jūsų elektriniam įrankiui ir kai pasirinktam diskui yra pagamintas specialus apsauginis gaubtas.** Diskų, kuriems elektrinis įrankis nėra specialiai pritaikytas, negalima tinkamai apsaugoti, todėl jie nėra saugūs naudoti.
- b) **Viduryje suspaustų ratukų šlifuojamąjį paviršių reikia montuoti apsauginės pjaunančios briaunos plokštumos apačioje.** Netinkamai įmontuoto ratuko, išsikišančio iš apsauginės pjaunančios briaunos plokštumos, negalima tinkamai apsaugoti.
- c) **Apsauginį gaubtą būtina tvirtai pritvirtinti prie elektrinio įrankio ir nustatyti saugiausioje padėtyje taip, kad būtų neuždengta tik mažiausia disko dalis prie operatoriaus.** Apsauginis gaubtas apsaugo operatorių nuo atskilusių nuo disko dalelių ir atsitiktinio prisilietimo prie disko ir kibirkščių, kurios gali uždegti drabužius.
- d) **Diskus galima naudoti tik rekomenduojamiems darbams atlikti. Pavyzdžiui, nešlifukite nupjovimo disko šonu.** Abrazyviniai nupjovimo diskai yra skirti periferiniam šlifavimui, dėl šiuos diskus veikiančių šoninių jėgų, jie gali sulūžti.

- e) **Visada naudokite nepažeistas diskų junges, teisingo dydžio ir formos Jūsų pasirinktam diskui.** Tinkamos diskų jungės atremia diską, dėl to sumažėja disko sulūžimo tikimybė. Nupjovimo diskų jungės gali skirtis nuo šlifavimo diskų jungių.
- f) **Nenaudokite nusidėvėjusių diskų nuo didesnių elektrinių įrankių.** Diskai, skirti didesniai elektriniam įrankiui, nėra tinkami didesnio greičio mažesniai įrankiui ir gali sulūžti.

KAMPINIS ŠLIFUOKLIS SAUGOS ĮSPĖJIMAI

- a) Patikrinkite, ar greitis, pažymėtas ant šlifavimo disko, lygus ar didesnis negu greitis, nurodytas ant šlifuko; b) Patikrinkite, ar disko šlifavimo disko matmenys atitinka šlifuko; c) Šlifavimo diskus būtina laikyti sausoje vietoje. d) Nelaikykite jokių daiktų virš šlifavimo disko. e) Šlifavimo diskus galima naudoti tik šlifavimo darbams. f) Šlifavimo diskus reikia rūpestingai saugoti ir ir su jais atsargiai dirbti, laikantis gamintojo nurodymų. g) Prieš naudodami, apžiūrėkite šlifavimo diską, ar jis neapdaužytas ar įskilęs. Apdaužyti ar įskilę diskai gali sulūžti bei Jūs sunkiai sužeisti. h) Patikrinkite, ar diskas pritvirtintas, laikantis šios instrukcijos nurodymų i) Užtikrinkite, kad šlifuko prieš naudojimą yra teisingai sumontuotas ir pritvirtintas, ir paleiskite jį laisva eiga 30 sekundžių saugioje padėtyje. Jeigu jaučiama didelė vibracija ar pastebimi kiti defektai, diską nedelsdami sustabdykite. Jei tai kartojasi, patikrinkite įrankį, kad nustatytumėte gedimų priežastį. j) Nenaudokite atskirų mažinančių įdėklų ar adapterių, norėdami pritaikyti didelės angos šlifavimo diską. k) Patikrinkite, kad ruošinys būtų tinkamai paremtas. l) Naudokite tik „Ryobi“ patvirtintus šlifavimo diskus. m) Užtikrinkite, kad kibirkštys, kylančios šlifavimo metu, nesukeltų pavojaus, pvz., neatstrenktų į žmones ar neuždegtų degių medžiagų. n) Visada dėvėkite apsauginius akinius ir ausų apsaugą. o) Taip pat būtina dėvėti kitas asmeninės apsaugos priemones, pvz. pirštines, prijuostę ir šalną, kai būtina. p) Niekada nedėkite įrankio ant grindų ar kitų paviršių, kai jis įjungtas. Įrankį išjungus, šlifavimo diskas ir toliau sukasi. Niekada nelieskite disko ir nedėkite jo ant grindų ar kitų paviršių, kai jis sukasi. q) Jungės ir spaustuvo išorinis skersmuo turi būti vienodas. r) Įrankį naudokite tik leistinai paskirčiai. Niekada nenaudokite aušinimo skysčių ar vandens bei nenaudokite įrankio stacionariai. s) Dirbdami, tvirtai laikykite įrankį abiejomis rankomis.

**NAUDOJIMO PASKIRTIS**

Šlifuoti metalus

Įrankį naudokite tik leistinai paskirtai. Naudokite elektrinį įrankį tik pagal tiesioginę paskirtį, kitaip sukelsite pavojingą situaciją.

PRIEŽIŪRA**⚠ ĮSPĖJIMAS**

Kai variklis įjungtas, įrankio jokiais būdais nereguliuokite. Prieš keisdami nuimamas ar ištraukiamas detales, įrankį sutepdami ar dirbdami su objektu, visada ištraukite maitinimo laidą iš elektros maitinimo šaltinio.

- Po naudojimo įrankį patikrinkite, kad įsitikintumėte, ar jis geros būklės.
- Rekomenduojama bent vieną kartą per metus šį įrankį pristatyti į įgaliotą „Ryobi“ techninės priežiūros centrą, kad jo darbuotojai įrankį gerai išvalytų ir suteptų.
- Jeigu maitinimo laidas pažeistas, jį turi pakeisti tik gamintojas arba įgaliota techninės priežiūros įmonė, kad būtų išvengta pavojaus. Kreipkitės į įgaliotą techninės priežiūros centrą

⚠ ĮSPĖJIMAS

Siekiant užtikrinti saugumą ir įrankio patikimumą, visi remonto darbai turi būti atliekami ĮGALIOJAME TECHNINĖS PRIEŽIŪROS CENTRE ar kitoje KVALIFIKUOTOJE TECHNINĖS PRIEŽIŪROS ĮMONĖJE.

APLINKOS APSAUGA

Žaliavines medžiagas perdirbkite pakartotinai, o ne išmeskite kaip atliekas. Mechanizmas, priedai ir pakuotės turi būti laikomi pakartotinai perdirbti aplinkai nekenksmingu būdu.

ŽENKLAI

Pranešimas apie saugumą



II klasės įrenginys, dviguba izoliacija



Prieš pradėdami naudoti šį prietaisą, prašome atidžiai perskaityti šias instrukcijas.



Dėvėkite klausos apsaugos priemones



Dėvėkite akių apsaugos priemones



Dėvėkite kaukę nuo dulkių.



Nenaudokite nuskilusio, įskilusio ar pažeisto šlifavimo disko



Draudžiama naudoti šlapiam šlifavimui. Naudojant vandenį ar kitą aušinimo skystį galima sukelti elektros smūgį ar nuo elektros žūtį.



Mūvėkite apsaugines rankų pirštines



„EurAsian“ atitikties ženklas.



CE suderinimas



Elektrinių produktų atliekos neturi būti metamos kartu su namų ūkio atliekomis. Prašome perdirbkite jas ten, kur yra tokios perdirbimo bazės. Dėl perdirbimo patarimo kreipkitės į savo vietinę savivaldybę ar pardavėją.

**A HOIATUS**

Lugege kõik hoiatused ja ohutusjuhised läbi. Hoiatuste ja juhiste eiramine puhul on oht saada elektrilööki või raskeid kehavigastusi ning/või põhjustada tulekahju.

Hoidke hoiatusi ja juhiseid edaspidiseks juhendumiseks alles.

KETASLÕIKUR OLUHOIATUSED**ABRASIIVLÕIKAMISEL JÄRGIGE ALLPOOL ESITATUD JUHISEID:**

- a) See mehaaniline tööriist on ette nähtud kasutamiseks metalli abrasiivlihvimiseks. Lugege läbi kõik mehaanilise tööriista kohta esitatud ohuhoiatused ning tutvuge tööriista jooniste ja tehniliste andmetega. Allpool esitatud hoiatuste ja juhiste eiramise puhul on oht saada elektrilööki või raskeid kehavigastusi ning/või tekitada tulekahju.
- b) Tööriistaga ei soovitata teha metalli abrasiivlihvimise, liivpaberiga lihvimise, traatharjaga puhastamise, poleerimise ja abrasiivlõikamise operatsioone. Operatsioonid, milleks tööriist ei ole ette nähtud, võivad luua ohuolukorra ja põhjustada kehavigastusi
- c) Ärge kasutage mingeid kettaid ja kettasarnaseid tööorganeid (edaspidi: tarvikuid), mis ei ole tööriista tootja poolt spetsiaalselt välja töötatud ja soovitatud. Asjaolu, et tarvikut on võimalik mehaanilisele tööriistale kinnitada, ei taga selle tarvikuga töötamisel ohutust.
- d) Tarviku lubatud nimikiirus peab olema vähemalt võrdne mehaanilisele tööriistale märgitud maksimaalse kiirusega. Tarvikud, mis ületavad nendele ettenähtud kiiruse, võivad puruneda ja tükkideks lennata.
- e) Kasutatava tarviku välisläbimõõt ja paksus peab vastama teie tööriista nimiaandmetele. Valedel mõõtetega tarvikuid ei ole võimalik nõuetekohaselt turvata ja kontrolli all hoida.
- f) Tarvikute keermestatud osad peavad sobima ketaslõikuri spindli keermega. Tarvikutel, mis paigaldatakse äärikute abil, peab kinnitusava sobima ääriku tsentreerimisastme läbimõõduga. Tarvik, mis ei sobi mehaanilise tööriista kinnitusmõõtetega kokku, läheb tasakaalust välja, hakkab tugevasti vibreerima ja võib kontrolli alt väljuda.
- g) Ärge kasutage vigastatud tarvikuid. Enne iga kasutamist kontrollige tarvikud, näiteks abrasiivkettad üle kildumisele ja pragunemisele, tugikettad pragunemisele ja kulumisele, traatharjad lahtistele ja murdunud harjastele. Kui mehaaniline tööriist või tööriist on maha kukkunud, siis vaadake tööriista vigastused üle või asendage uue tarvikuga. Pärast tarviku ülevaatamisi ja paigaldamist hoidke ennast ning kõrvalseisjad pöörleva tarviku

pöörlemistasapinnast eemal ja käitage tööriista ühe minuti jooksul maksimaalsel pöörlemiskiirusel ilma koormuseta. Vigastatud tarvik puruneb selle aja jooksul tavaliselt tükkideks.

- h) **Kandke isikukaitsevahendeid.** Olenevalt töö iseloomust kandke näovisiiri, kaitsemaski või kaitseprille. Vajaduse korral kandke tolmu- ja kuulmiskaitseid, kaitsekindaid ja kaitsepõlle, mis kaitsevad teid abrasiivkettast või toorikust lähtuvate osakeste eest. Silmakaitsevahendid peavad kaitsma töötlemisjätkide eest, mis erinevate tööoperatsioonide juures välja paiskuvad. Tolmu- ja kuulmiskaitsevahendid peavad olema piisavalt filtreerivad. Pikaajaline viibimine kõrge müratasemega piirkonnas võib põhjustada kuulmishäireid.
- i) **Hoidke kõrvalised isikud tööpiirkonnast ohutul kaugusel.** Iga tööpiirkonda siseneja peab kandma isikukaitsevahendeid. Tooriku töötlemisjäätmed või purunenud tarvikud võivad välja lennata ja põhjustada kehavigastusi ka väljapool vahetatud tööpiirkonda.
- j) **Töötamisel kohtades, kus löikerist võib kokku puutuda varjatud elektrijuhtmetega, hoidke tööriista kinni ainult isoleeritud käepidemetest.** Kui kinnitusedetail või puur satub kontakti pingele all olevate juhtmetega, jäävad tööriista isoleerimata metallosad pingele alla ja kasutaja võib saada elektrilöögi.
- k) **Hoidke juhet pöörlevatest tarvikutest eemal.** Kontrolli kadumise korral võite juhtme läbi löigata või see võib haakuda ja teie käsi või käsivars võidakse tõmmata pöörleva tarviku vastu.
- l) **Ärge pange tööriista enne maha, kui tarvik on täielikult peatunud.** Pöörlev tarvik võib pinnaga haarduda ja selle tagajärjel võib tööriist väljuda teie kontrolli alt.
- m) **Ärge käitage tööriista siis, kui te seda küljel hoiate.** Juhuslik kontakt pöörleva tarvikuga võib põhjustada riietesse kinnijäämise ja selle tulemusena võib tarvik tungida teie kehasse.
- n) **Puhastage regulaarselt tööriista ventilatsioonipilusid.** Mootori ventilaator tõmbab tolmu korpusesse ja metalliosakesi sisaldava tolmu kogunemine põhjustab elektrivooluga seotud ohtusid.
- o) **Ärge kasutage tööriista süttivate materjalide läheduses.** Sädemed võivad need materjalid süüdata. Sädemed võivad need materjalid süüdata.
- p) **Ärge kasutage tarvikud, mis nõuavad jahutusvedelike kasutamist.** Kasutades vett või muud vedelikku jahutusvedelikud võivad põhjustada elektrilöögi või šokki.

TÄIENDAVALD OHUTUSJUHISEID KÕIKIDEL TÖÖOPERATSIOONIDEL**Tagasilöökk ja sellega seotud hoiatused**

Tagasilöökk on ootamatu reaktsioon, mis järgneb pöörleva ketta, tugiketta, terasharja või muu tarviku kinnijäämisele või haardumisele. Kinnikiilumine või haardumine põhjustab



pöörleva tarviku kiire peatumise, mis omakorda põhjustab kinnijäämise punktis vastassuunaliste kontrollimatute jõudude mõjumise tarviku pöörlemisele vastassuunas.

Näiteks juhul, kui abrasiivketas on toorikuga haardunud või sellesse kinni jäänud, võib ketta sisenev serv kinnijäämise punktis materjali pinna sisse kaevuda ja põhjustada ketta väljalikumise või tagasilöögi. Ketas võib hüpata operaatori suunas või temast eemale, sõltuvalt ketta liikumissuunast kinnijäämise punktis. Abrasiivkettad võivad selliste tingimuste korral puruneda.

Tagasilöök on tööriista väära kasutamise, ebaõigete töövõtete või tööks mittevastavate töötingimuste tulemus ja seda saab vältida allpool esitatud ettevaatusabinõude rakendamisega.

- Tagasilöögist tulenevate jõudude vastuvõtmiseks kasutage oma kehaja käsivart ning hoidke tööriistast tugevasti kinni.** Kasutage alati komplektis olevat lisakäepidet, et hoida tagasilööki või puutereaktsioonist tingitud reaktsiooni kontrolli all. Operaatoril on võimalik puutereaktsioone ja tagasilöögist tekkivaid jõudusid hallata, kui selleks vastavaid meetmeid võtta.
- Ärge hoidke mingil juhul oma kätt pöörleva tarviku läheduses.** Tarvik võib tagasilöögiga tabada teie kätt.
- Ärge olge oma kehaga seal, kuhu tööriist võib tagasilöögi ajal liikuda.** Tagasilöök paiskab kinnijäämise kohas tööriista vastuspidsisessa suunda ketta pöörlemisele.
- Olge eriti ettevaatlik töötamisel nurkades, teravatel servadel jne.** Välitge tarviku pörkumist ja kinnijäämist. Nurkades ja teravatel servadel või pörkumisel on kalduvus pöörlevat tarvikut kinni kiiluda ja põhjustada sellega kontrolli kadumist või tagasilööki.
- Ärge kinnitage tööriistale kettsaega ketast või hammastega saeketast.** Selliste ketaste kasutamisel ilmneb tihti tagasilööki ja kontrolli kadumist.

TÄIENDAVAD OHUTUSJUHISED LIHVIMISEL

OHUHOIATUSED LIHVIMISOPERATSIOONIDEL.

- Kasutage ainult sellist tüüpi kettaid, mis on selle tööriista jaoks ette nähtud ja ainult neile spetsiaalselt ettenähtud kaitsekatteid.** Kasutamiseks mitteettenähtud kettaid ei saa kattega kaitsta ja need ei ole ohutud.
- Keskkovalt surutud ketaste lihvimise tööpind peab olema paigutatud kaitsekatte serva tasapinnast allapoole.** Ketas, mis ulatub kaitsekatte serva tasapinnalt välja, ei ole piisavalt kaitstud.
- Kaitsekate peab olema tööriistale ohutult kinnitatud ja paigutatud maksimaalse ohutuse saavutamiseks nii, et võimalikult väike osa kettast on kasutaja suunas nähtav.** Kaitsekate kaitseb kasutajat kettatükide ja juhusliku puudutamise eest ning sädemete eest, mis võivad riided süüdata.
- Kettaid tohib kasutada ainult neile ettenähtud otstarveteks.** Näiteks ärge lihvideg mahalõikeketta küljega. Abrasiiv-mahalõikekettad on ette nähtud

läbilõikamiseks; kui neile rakendada külj jõudusid, siis võivad need kildudeks puruneda.

- Kasutage valitud kettale mõõdetelt ja kujult sobivaid ning vigastamata kettaäärkuid.** Õigesti valitud äärkud toetavad ketast ja vähendavad sellega ketta purunemisohtu. Mahalõikeketta äärkud võivad erineda lihvkettaste äärikutest.
- Ärge kasutage suurtelt tööriistadest järelejäänud kulunud kettaid.** Suurte tööriistade kettad ei ole ette nähtud väikeste tööriistade suurtel kiirustel, sest siis võivad need kettad puruneda.

KETASLÕIKUR OHUHOIATUSED

- Kontrollige, et lihvkettale märgitud lubatud kiirus on suurem või võrdne kui tööriista nimikiirus.
- Veenduge, et lihvketta mõõtmed tööriistaga kokku sobivad ja ketta ava spindlile sobib.
- Lihvkettaid tuleb hoida kuivas kohas.
- Ärge ladustage mingeid esemeid lihvkettaste peale.
- Lihvkettaid ei tohi kasutada muudeks töödeks peale lihvimise.
- Lihvkettaid tuleb hoida ja käsitada ettevaatlikult vastavuses tootja juhistelega.
- Kontrollige lihvketas enne kasutamist üle ja veenduge, et see ei ole kildunud ega pragunenud. Kildunud kohad ja praod võivad põhjustada ketaste kildudeks purunemise, mis võib tekitada raske kehavigastuse.
- Veenduge, et ketas on tööriistale paigaldatud vastavalt käesolevale kasutusjuhendile.
- Veenduge enne kasutamist, et lihvimisketas on nõuetekohaselt paigaldatud ja pingutatud ning laske tööriistal ilma koormuseta töötada 30 sekundi jooksul ilma koormuseta. Kui tunnete märgatavat vibratsiooni või avastate muid rikkeid, siis peatage töötamine viivitamatult. Selliste ilmingute korral kontrollige tööriist üle, et teha põhjus kindlaks.
- Ärge kasutage suurema avaga lihvketta kinnitamiseks täiendavaid sobituspukse või üleminekudetaile.
- Kontrollige, et toorik oleks nõuetekohaselt toetatud.
- Kasutage vaid RYOBI poolt heakskiidetud lihvkettaid.
- Veenduge, et tekkivad sädemed ei oleks ohtlikud, näiteks ei taba inimesi või ei süüta põlevaineid.
- Kasutage alati kaitseprille ja kuulmiskaitseid.
- Kasutage vajaduse korral ka muid isikukaitsevahendeid, näiteks töökindaid, kaitsepõlle ja kiivrit.
- Ärge pange pöörlevat tööriista mingil juhul põrandale või muudele pindadele. Lihvketas pöörleb edasi ka siis, kui tööriist on välja lülitatud. Ärge puudutage pöörlevat ketast ega pange töötavat tööriista põrandale või muudele pindadele.
- Äärük ja survemutter peavad olema sama välisläbimõõduga.
- Kasutage tööriista ainult heakskiidetud kasutusotstarveteks. Ärge mingil juhul kasutage



jahutusvedelikku või vett ega kasutage tööriista paikselt kinnitatud olekus.

s) Haarake töötamisel tööriistast mõlema käega.

OTSTARBEKOHANE KASUTAMINE

Lihvimine metallid

Kasutage tööriista ainult heakskiidetud kasutusotstarveteks. Tööoperatsiooniks mitte ettenähtud elektritööriista kasutamine võib tekitada ohtliku olukorra.

HOOLDUS

⚠ HOIATUS

Ärge püüdke teha mingeid reguleertoiminguid sel ajal, kui mootor töötab.

Enne vahetatavate osade või tarvikute vahetamist, masina määrimist või sellel töötamist ühendage toitejuhe lahti.

- Pärast kasutamist kontrollige, et tööriist on heas tööseisundis.
- Soovitav on lasta tööriista vähemalt üks kord aastas RYOBI volitatud hoolduskeskuses põhjalikult ära puhastada ja määrada.
- Kui toitejuhe on vigastatud, siis tuleb see lasta asendada tootja või klienditeenindaja poolt, et ohtusid vältida. Pöörduge volitatud hoolduskeskusesse

⚠ HOIATUS

Ohutuse ja töökindluse tagamiseks tuleb parandustööd lasta teha VOLITATUD HOOLDUSKESKUSES või MUUS PÄDEVAS HOOLDUSETTEVÕTTES.

KESKKONNAKAITSE



Taaskasutage materjale nende jäätmekäitluse andmise asemel. Masin, selle lisaseadmed ja pakend tuleb jäätmekäitluseks keskkonnasõbralikult sorteerida.

SÜMBOLID



Ohutusalane teave



II klassi seade, topeltisolatsioon



Lugege enne masina kasutamist juhised hoolikalt läbi.



Kandke kuulmise kaitsevahendeid



Kandke silmade kaitsevahendeid



Kandke tolmumaski.



Ärge kasutage kildunud, pragunenud ja rikutud kettaid



Ei ole lubatud kasutada märglihvimiseks. Kasutades vett või muud vedelikku jahutusvedelikud võib põhjustada elektrilöögi või šokki.



Kandke turvakindaid



Euraasia vastavusmärk.



CE vastavus



Mittekasutatavaid elektritooteid ei tohi visata olmejäätmete hulka. Vaid tuleb viia vastavasse kogumispunkti. Vajadusel küsige sellekohast nõu oma edasimüüjalt või vastavalt kohaliku omavalitsuse institutsioonilt.

**⚠ UPOZORENJE**

Pažljivo pročitajte sva upozorenja i sve upute. Nepodržavanje ovih uputa može prouzročiti nezgode poput požara, strujnih udara i/ili teških tjelesnih ozljeda.

Sačuvajte ova upozorenja i upute kako biste ih naknadno mogli konzultirati.

SIGURNOSNA UPOZORENJA ZA KUTNA BRUSILICA**SIGURNOSNI SAVJETI ZA RUČNE BRUSILICE:**

- Alat je namijenjen za upotrebu kao ručna brusilica. Pažljivo pročitajte sva upozorenja, upute i specifikacije priložene uz alat i pogledajte crteže.** Nepoštivanje svih uputa može dovesti do električnog udara, požara i / ili teške ozljede.
- Pomoću ovog električnog alata ne preporučuje se vršenje radova kao što su brušenje, brušenje žicom, poliranje ili rezanje.** Operacije za koju električni alat nije osmišljen predstavlja opasnost i prouzročiti ozljede.
- Ne koristite dodatke koji nisu namijenjeni ovom alatu i koji nije preporučio proizvođač.** Samo zato što pribor može biti priključen na vaš električni alat, to ne osigurava siguran rad.
- Okretaja od pribora mora biti najmanje jednaka maksimalnu brzinu označen na električni alat.** Dodaci koji rade na višim brzinama od njihove nominalne brzine mogu se slomiti ili izletjeti s alata.
- Vanjskog promjera i debljine vašeg pribora mora biti unutar ocjenjivanja sposobnosti vašeg uređaja.** Pogrešno veličine pribor se ne može adekvatno čuvano ili kontrolirati.
- Navoj za montažu dodatnog pribora mora odgovarati navoju na osovine brusilice.** Za dodatni pribor koji se montira pomoću prirubnice, sidreni otvor dodatnog pribora mora odgovarati promjeru prirubnice. Dodatni pribor koji ne odgovara hardveru za montažu na električnom alatu okretati će se van balansa, prekomjerno vibrirati i može uzrokovati gubitak kontrole.
- Nemojte koristiti oštećeni pribor.** Prije svake upotrebe provjerite jesu li svi dodaci koje koristite u dobrom stanju: provjerite da brusne ploče nisu oštećene ili okrnute, da podložne pločice nisu polomljene ili pohabane, da niti metalne četke nisu previše istrošene ili polomljene. Ako je AKU alat ili pribor pao, provjerite štetu ili ugradite neoštećen pribor. Ako je potrebno, stavite i masku protiv prašine, zaštitu od buke, rukavice i zaštitnu ploču kako biste se zaštitili od izlijetanja dijelova komada kojeg obrađujete (brusni dijelovi, komadići drveta itd.). Ako je dodatak oštećen, tijekom ove provjere će se slomiti.
- Nosite osobnu zaštitnu opremu. Ovisno o primjeni, koristiti lice štiti, zaštitne naočale i zaštitne naočale.** Ako je potrebno, stavite i masku protiv prašine,

zaštitu od buke, rukavice i zaštitnu ploču kako biste se zaštitili od izlijetanja dijelova komada kojeg obrađujete (brusni dijelovi, komadići drveta itd.). Zaštita očiju mora biti sposoban zaustavljanja letjećih krhotina generirani od strane različitih operacija. Maska protiv prašine filtrirat će prašinu koja se stvara tijekom rada. Duže izlaganje jakoj buci može dovesti do gubitka sluha.

- Držite nazočnima sigurnoj udaljenosti od područja rada.** Svatko tko bi stupio u radno područje, mora nositi osobnu zaštitnu opremu. Krhotine izratka ili slomljena mogu odletjeti i uzrokovati ozljede i izvan neposrednog područja djelovanja.
- Držite uređaj po izoliranim ručkama površina samo pri obavljanju operacije u kojoj rezanje skrivene ožičenja ili vlastiti kabel.** Dodirivanje „žive“ žice priborom za rezanje može izložiti metalne dijelove alata električnoj energiji i može dovesti do strujnog udara na operatera.
- Kabel napajanja uvijek postavite tako da bude udaljen od dijela alata koji se vrti.** Ako izgubite nadzor nad uređajem, kabel napajanja može bit presječen ili se zaplesti i povući vašu šaku ili ruku prema rotirajućem dijelu alata.
- Nikad ne odlažite alat prije nego što se pokretni dijelovi sasvim ne zaustave.** Predenje alata mogu zgrabite i povucite površinu uređaja izvan vaše kontrole.
- Ne uključujte alat dok ga prevozite.** Rotirajući dodatak može se zaplesti u vašu odjeću i ozbiljno vas ozlijediti.
- Redovno čistite ventilacijske otvore alata.** Kroz ventilacijske otvore u unutrašnjost kućišta motora može dospjeti prašina što može uzrokovati pretjerano nakupljanje metalnih komadića i uzrokovati strujni udar.
- Ne koristite uređaj u blizini zapaljivih tvari.** U slučaju odskakivanja, alat se odbacuje u smjeru suprotno od smjera rotacije ploče.
- Ne koristite pribor koji zahtijevaju tekućih sredstava za hlađenje.** Korištenje vode ili druge tekućine rashladne može dovesti do električnog udara.

DALJNJE SIGURNOSNE UPUTE ZA SVE OPERACIJE**Upozorenja na povratni udar i druge vezane opasnosti**

Bakšiš je iznenadna reakcija ili kvrgav stegnut rotirajućeg kotača, prateći pad, četkom ili bilo koji drugi pribor. Štipanje ili snagging uzroka brzog odugovlačenje od rotirajućeg pribor što opet uzrokuje nekontrolirani uređaja biti prisiljeni u smjeru suprotno od dodatne opreme rotacije na mjestu vezanja.

Na primjer, ako je brusna ploča kvrgava ili prignječena od strane izratka, rub kotača koji ulazi u točnu prignječena se može zakopati u površinu materijala uzrokujući da se kotač popne iz prignječena ili iskoči. Kotača ili može skočiti prema ili od operatera, ovisno o smjeru kotača pokreta na mjestu štipanje. U slučaju odskakivanja može doći i do lomljenja brusne ploče.

Odskakivanje je dakle rezultat loše uporabe alata i/ili





nepravilnih postupaka ili uvjeta upotrebe, Može ga se izbjeći ako se poštuju neke mjere opreza:

- a) **Održavati čvrst zahvat na električni alat i položaj vašeg tijela i ruke kako bi Vam omogućiti da se odupre silama povratnog udara.** Ako alat ima pomoćnu ručku, svakako je držite kako biste imali optimalni nadzor nad alatom u slučaju odskakivanja ili da možete odgovarajuće reagirati u trenutku uključivanja uređaja. Poduzmite potrebne mjere kako biste alat mogli kontrolirati u slučaju odskakivanja ili jakog okretnog momenta.
- b) **Nikada ne stavljajte ruku u blizini rotirajuće pribor.** Alata mogu bakiš preko vaše ruke.
- c) **Ne poziciju vaše tijelo na području gdje se električni alat će se pomaknuti ako dođe do povratnog udara.** Bakiš će pokrenuti alat u smjeru suprotnom kotača pokreta na mjestu snagging.
- d) **Koristite posebna njega kod rada kutova, oštih rubova i sl. Nemojte alat zaglavljivati ili ispuštati iz ruku.** Uglovi, oštih rubova i odskakanje imaju tendenciju da uloviti rotirajuće pribor i dovesti do gubitka kontrole ili povratnog udara
- e) **Ne lijepite vidio lanac woodcarving pile ili nazubljeni list pile.** Takve oštrice povećavaju rizik od odskakivanja i gubitka nadzora na alatom.

DODATNE SIGURNOSNE UPUTE ZA RADOVE BRUŠENJA

SIGURNOSNA UPOZORENJA SPECIFIČNA ZA RADOVE BRUŠENJA:

- a) **Koristite samo vrste kotača koji se preporučuju za vaš električni alat i posebni štitnik namijenjen za odabrani kotač.** Rezna ploče koje nisu namijenjene za električni alat ne mogu se odgovarajuće zaštititi i nisu sigurni.
- b) **Površina brušenja središta rezne ploče mora biti montirana ispod ploče štitnika.** Nepravilno montirana rezna ploče prolazi kroz ploču štitnika i ne može biti odgovarajuće zaštićena.
- c) **Štitnik mora biti čvrsto postavljen i pozicioniran na električni alat radi maksimalne sigurnosti, tako da je minimalna količina kotača izložena prema rukovatelju.** Štitnik pomaže zaštititi rukovatelja od dijelica slomljenog kotača i slučajnog kontakta s kotačem te od iskri koje mogu zapaliti odjeću.
- d) **Kotači se moraju koristiti samo za preporučene primjene. Na primjer, nemojte brusiti s bočnom stranom reznog kotača.** Abrzivne rezne ploče namijenjene su za površinsko brušenje, primjena bočnih sila na ove kotače može dovesti do njihovog pucanja.
- e) **Za vaš odabrani kotač uvijek koristite neoštećene prirubnice kotača koje su točne veličine i oblika.** Pravilna prirubnica kotača podupire kotač te stoga smanjuje mogućnost lomljenja kotača. Prirubnice za rezne kotače mogu se razlikovati od prirubnica za

brusne kotače.

- f) **Nemojte koristiti istrošene kotače za alate velike snage.** Rezna ploča namijenjena za alat velike snage nije prikladna za velike brzine manjeg alata i može prsnuti.

SIGURNOSNA UPOZORENJA ZA KUTNA BRUSILICA

- a) Provjerite je li brzina označena na brusu jednaka ili viša od nominalne brzine alata.
- b) Provjerite je li promjer brusa usklađen s alatom te je li brus pravilno umetnut na osovinu.
- c) Bruseve treba spremati na suho mjesto.
- d) Ne stavljajte predmete na brusove.
- e) Bruseve treba upotrebljavati samo za brušenje, a ne u druge svrhe.
- f) Oprezno spremajte i koristite se brusevima u skladu s uputama proizvođača.
- g) Prije uporabe provjerite se da nije okrnjen te da na njemu nema pukotina. U protivnom brus može puknuti, što može dovesti do teških tjelesnih ozljeda.
- h) Provjerite je li brus postavljen u skladu s uputama u ovom priručniku.
- i) Prije uporabe provjerite je li brus ispravno postavljen i stegnut, zatim neka se alat okreće u prazno oko 30 sekundi te ga usmjerite tako da ne predstavlja opasnost. Odmah zaustavite alat ako pretjerano vibrira ili ako primjećujete druge probleme. Ako je ovaj uvjet dogodi, provjerite alat odrediti uzrok.
- j) Ne upotrebljavajte prstenove za redukciju ili umetke kako biste smanjili promjer bruseva velikog promjera.
- k) Provjerite je li komad koji obrađujete dobro učvršćen.
- l) Koristite samo brusne odobrio RYOBI.
- m) Pobrinite se da iskre proizlaze iz uporabe ne predstavlja opasnost, primjerice, ne udariti ljudi, ili zapaliti zapaljive tvari.
- n) Uvijek nosite sigurnosne naočale i štitnike za uši.
- o) Koristite druge osobne zaštitne opreme kao što su rukavice, pregaču i kacigu kada je to potrebno.
- p) Nikada ne postavljajte alat na podu ili drugim površinama tijekom rada. Pažnja, brus se zbog inercije okreće i kad isključite stroj. Nikada ne dodirujte kotača ili ga staviti na pod ili druge površine, dok se rotirajući.
- q) Prirubnica brusa i vanjska prirubnica moraju imati isti vanjski promjer.
- r) Koristite alat samo za odobrene aplikacije. Nikad ne koristite rashladne ili vode ili koristite alat kao fiksni alat.
- s) Dok upotrebljavate alat, čvrsto ga držite objema rukama.

NAMJENA

Brušenje metali

Koristite alat samo za odobrene aplikacije. Korištenje





električnog alata za radove drugačije od njegove namjene može dovesti do opasne situacije.

ODRŽAVANJE

⚠ UPOZORENJE

Dok motor radi, ne obavljajte nikakva podešavanja. Prije zamjene dijelova, podmazivanja ili rada na jedinici, uvijek iskopčajte kabel za napajanje iz utičnice.

- Nakon uporabe provjerite je li alat u dobrom radnom stanju.
- Preporuča se da alat najmanje jednom godišnje odnesete u ovlaštenu Ryobi servis radi cjelokupnog podmazivanja i čišćenja.
- Ako je kabel za napajanje oštećen, mora ga zamijeniti samo proizvođač ili ovalšteni servisni centar kako bi se izbjegla opasnost. Obratite se ovlaštenom servisnom centru

⚠ UPOZORENJE

Kako bi se osigurala sigurnost i pouzdanost, sve popravke mora obaviti ovlaštenu servisni centar ili druge stručne usluge organizacije.

ZAŠTITA OKOLIŠA



Sirovine reciklirajte, umjesto da ih odlažete kao otpad. Kako biste zaštitili okoliš, alat, dodatke i ambalažu treba odvojeno bacati u otpad.

SIMBOLI



Sigurnosno upozorenje



Oprema klase II, dvostruka izolacija



Molimo vas da prije pokretanja uređaja pažljivo pročitate upute.



Nosite zaštitu za sluh



Nosite zaštitu za vid



Nosite masku protiv prašine.



Nemojte koristiti zarezanu, puknutu ili oštećenu brusnu ploču



Nije dopušteno mokro bušenje. Korištenje vode ili druge tekućine rashladne može dovesti do električnog udara.



Nosite zaštitne rukavice



EurAsian znak konformnosti.



Sukladno CE



Otpadni električni proizvodi ne treba da se odlažu s otpadom iz domaćinstva. Molimo da reciklirate gdje je to moguće. Potražite savjet od lokalnih vlasti ili prodavca kako reciklirati.

**⚠ OPOZORILO**

Preberite vsa varnostna opozorila in navodila.
Neupoštevanje opozoril in navodil lahko povzroči udar elektrike, požar in/ali težke poškodbe.

Shranite vsa opozorila in navodila za kasnejšo uporabo.

VARNOSTNA OPOZORILO ZA KOTNI BRUSILNIK**SKUPNA VARNOSTNA OPOZORILO ZA OPERACIJE BRUŠENJA Z BRUSNIM KAMNOM:**

- a) To električno orodje je predvideno za brušenje z brusnim kamnom. Preberite vsa varnostna opozorila, navodila, ilustracije in specifikacije, ki so priložene temu električnemu orodju. Če ne upoštevate opozoril in navodil, lahko pride do električnega udara, ognja in/ali hudih poškodb.
- b) Orodja ni priporočljivo uporabljati za brušenje z brusilnim papirjem, žično brušenje, poliranje ali rezanje. Operacije, za katere električno orodje ni bilo predvideno, so lahko tvegane in lahko povzročijo telesne poškodbe.
- c) Ne uporabljajte dodatkov, ki jih proizvajalec orodja izrecno ne priporoča. Samo dejstvo, da je dodatek mogoče priključiti na vaše električno orodje, ne zagotavlja varnega delovanja.
- d) Označena hitrost dodatka mora biti najmanj enaka maksimalni hitrosti, označeni na električnem orodju. Dodatki, ki delujejo hitreje, kot je njihova označena hitrost, se lahko polomijo in razletijo.
- e) Zunanji premer in debelina vašega dodatka morata biti znotraj oznake zmogljivosti vašega električnega orodja. Dodatek nepravilne velikosti ne boste mogli ustrezno nadzorovati.
- f) Navojne dodatke pritrdite tako, da se ujemajo z navojem vretena brusilnika. Pri dodatkih, ki so pritrjeni s prirobnicami, se mora sprejemna odprtina na dodatku prilegati vgraditvenemu premeru prirobnice. Če se dodatki ne ujemajo z namestitvenimi elementi električnega orodja, ne bodo uravnoveženi, bodo prekomerno vibrirali in lahko boste izgubili nadzor.
- g) Ne uporabljajte poškodovanih dodatkov. Pred vsako uporabo preglejte dodatke: preverite, če so na brusnih kolesih okrušena mesta ali razpoke, na podpornih blazinicah razpoke, raztrganine ali prevelika obraba oz. na žičnih ščetkah nepritrjene ali polomljene žice. Če vam električno orodje ali dodatek padeta iz rok, preverite, ali sta se morda poškodovala, oz. namestite nepoškodovan dodatek. Potem ko ste pregledali in namestili dodatek, poskrbite, da boste vi sami in morebitne druge osebe stali dovolj stran od vrtečega se dodatka, ter poženite električno orodje s polno hitrostjo brez obremenitve za eno minuto. Poškodovani dodatki običajno v takem testnem času odletijo.

- h) Nosite osebno varovalno opremo. Glede na uporabo orodja nosite obrazno masko in varnostna očala. Po potrebi nosite proti-prašno masko, zaščito za sluh, rokavice in delovni predpasnik, ki lahko zadrži drobne ostanke brušenja ali drobne delce obdelovanca. Očesna zaščita mora biti zadostna, da ustavi leteče drobce, ki nastajajo pri različnih operacijah. Proti-prašna maska ali dihalni aparat morata biti sposobna filtriranja delcev, ki nastajajo pri vašem delu. Daljša izpostavljenost zelo intenzivnemu hrupu lahko povzroči okvaro sluha.
- i) Pazite, da bodo morebitni gledalci dovolj oddaljeni od delovnega območja. Vsaka oseba, ki vstopi v delovno območje, mora nositi sredstva za osebno zaščito. Delci obdelovanega kosa ali odlomljen dodatek lahko poleti po zraku in povzroči poškodbe izven neposrednega območja dela.
- j) Ko izvajate operacijo, pri kateri lahko dodatek za rezanje pride v stik s skritim ožičenjem ali s svojim lastnim kablom, držite električno orodje le na izoliranih površinah, predvidenih za držanje. Če se pripomočki za rezanje dotaknejo žice, ki je pod električno napetostjo, lahko izpostavljeni kovinski deli električnega orodja povzročijo električni udar.
- k) Umaknite kabel od vrtečih se dodatkov. Če izgubite nadzor nad orodjem, lahko le-to prereže kabel ali se zaplete in vašo roko lahko potegne v vrteči se dodatek.
- l) Nikoli ne odlagajte električnega orodja, dokler se dodatek ni popolnoma ustavil. Vrteči se dodatek lahko zgrabi površino in izgubili boste nadzor nad orodjem.
- m) Ne vključujte električnega orodja, kadar ga nosite ob telesu. Vrteče se orodje lahko nehotne pride v stik z vašim oblačilom in potegne dodatek proti vam.
- n) Redno čistite zračne odprtine na električnem orodju. Ventilator motorja bo potegnil prah v ohišje, preveliko nabiranje kovinskega prahu pa lahko povzroči električno tveganje.
- o) Ne uporabljajte električnega orodja v bližini vnetljivih materialov. Zaradi iskric se ti materiali lahko vžgejo.
- p) Ne uporabljajte dodatkov, pri katerih je potreba hladilna tekočina. Pri uporabi vode ali drugih hladilnih tekočin lahko pride do električnega udara.

NADALJNJA VARNOSTNA NAVODILA ZA VSE OPERACIJE**Opozorila glede povratnih udarcev in podobnih primerov**

Povratni udarec je nenadna reakcija zataknenega ali zagozdenega vrtečega se kolesa, podpome blazinice, krtače ali kateregakoli drugega dodatka. Zagozdenje ali zatikanje povzroči nenadno blokado vrtečega se dodatka, ki zaradi tega povzroči nekontrolirano premikanje električnega orodja v nasprotno smer od rotacije dodatka.

Na primer, če se brusno kolo zatakne ali zagozdi na obdelovancu, se lahko rob kolesa, ki vstopa v točko



zatikanja, zakoplje v površino materiala, kar povzroči, da se kolo nenadoma pomakne ali skoči navzven. Kolo lahko poskoči proti uporabniku ali proč od njega, odvisno od smeri premikanja kolesa v trenutku zagozditve. Brusna kolesa lahko v takih pogojih tudi počijo.

Izogrnemo se mu lahko tako, da upoštevamo ustrezne previdnostne ukrepe, ki so navedeni v nadaljevanju.

- a) **Trdno držite električno orodje in postavite svoje telo in roko tako, da boste lahko kljubovali sili povratnega udarca.** Vedno uporabljajte pomožni ročaj, če je na voljo, saj boste imeli na ta način večji nadzor nad povratnim udarcem ali protivrtilnim momentom v času zagona. Uporabnik lahko nadzira protivrtilni moment ali silo povratnega udarca, če se je nanje pravilno pripravil.
- b) **Nikoli ne približujte roke vrtečemu se dodatku.** Dodatek lahko zaradi povratnega udarca sune v vašo roko.
- c) **Ne postavljajte se s telesom v območje, kamor se bo premaknilo električno orodje, če pride do povratnega udarca.** Povratni udarec bo potisnil orodje v nasprotni smeri od premikanja kolesa v trenutku zagozditve.
- d) **Posebej bodite previdni pri obdelavi vogalov, ostrih robov itd. Izogibajte se poskakovanju in zaletavanju dodatka.** Zaradi vogalov, ostrih robov ali poskakovanja se lahko vrteči se dodatek zaleti, zaradi česar izgubite nadzor nad njim ali pride do povratnega udarca.
- e) **Ne pritrjujte verižne žage, rezila za obdelavo lesa ali zobatega rezila žage.** Taka rezila pogosto povzročijo povratni udarec in izgubo nadzora.

DODATNA VARNOSTNA NAVODILA ZA BRUŠENJE

VARNOSTNA OPOZORILA ZA BRUŠENJE:

- a) **Uporabljajte le vrste kolutov, ki so priporočene za vaše orodje in specifična varovala, ki so zasnovana za izbrani kolut.** Kolutov, za katere orodje ni bilo izdelano, ni mogoče ustrezno zaščititi, zato jih ni varno uporabljati.
- b) **Brusilna površina kolenastih brusilnih kolutov mora biti nameščena pod ravnino robu varovala.** Nepravilno nameščenega koluta, ki sega iz ravnine robu varovala, ni mogoče ustrezno zaščititi.
- c) **Varovalo mora biti trdno pritrjeno na orodje in nameščeno v takem položaju, da zagotavlja najboljšo zaščito tako, da je upravljavcu izpostavljen čim manjši del koluta.** Varovalo ščiti upravljavca pred delci, ki se odlomijo od koluta, pred nenamernim stikom s kolutom in pred iskrami, zaradi katerih bi se lahko vnela oblačila.
- d) **Kolute smete uporabljati le za priporočeno uporabo. Zato, na primer, ne brusite s stranjo rezilnega koluta.** Abrazivni rezalni koluti so namenjeni obrobnemu brušenju; stranske sile, ki delujejo na kolute lahko povzročijo, da se koluti zdrobijo.

- e) **Vedno uporabljajte nepoškodovane prirobnice kolutov pravilne velikosti in oblike za izbrani kolut.** Ustrezne prirobnice kolutov podpirajo kolut in tako zmanjšujejo možnost, da se kolut zlomi. Prirobnice rezilnih kolutov so lahko drugačne od prirobnic brusilnih kolutov.
- f) **Ne uporabljajte obrablenih kolutov večjih orodij.** Koluti, namenjeni za uporabo z večjimi orodji, niso primerni za višje hitrosti manjših orodij in se lahko razletijo.

VARNOSTNA OPOZORILA ZA KOTNI BRUSILNIK

- a) Prepričajte se, da je hitrost, ki je navedena na brusnem kolutu, enaka ali večja kot nominalna hitrost orodja.
- b) Prepričajte se, da so dimenzije brusnega koluta združljive z orodjem in da se kolut prilega vretenu.
- c) Brusne kolute hranite na suhem mestu.
- d) Ne odlagajte predmete na brusne kolute.
- e) Brusne kolute uporabljajte izključno za brušenje.
- f) Brusne kolute hranite in z njimi ravnejte pazljivo in v skladu z navodili proizvajalca.
- g) Pred uporabo preglejte brusni kolut in se prepričajte, da ni odkrušen ali počen. Odkrušeni deli in razpoke lahko povzročijo, da se kolut zdrobi in povzroči resne poškodbe.
- h) Zagotovite, da je kolut pritrjen v skladu s tem priročnikom.
- i) Pred uporabo se prepričajte, da je brusni kolut pravilno montiran in pritegnjen, nato pa vklopite orodje za 30 sekund s hitrostjo brez obremenitve v varnem položaju. Če se pojavijo upoštevanja vredni tresljaji ali druge napake, orodje takoj ustavite. V tem primeru preglejte orodje in ugotovite vzrok za težavo.
- j) Ne uporabljajte dodatnih kovinskih ploščic ali adapterjev, da bi pritrčili brusne kolute s preveliko luknjo.
- k) Prepričajte se, da je obdelovanec ustrezno pritrjen.
- l) Uporabljajte le brusne kolute, ki jih je odobrilo podjetje RYOBI.
- m) Zagotovite, da iskre, ki nastajajo pri delu, ne bodo zadele ljudi ali vžgale vnetljivih snovi.
- n) Vedno nosite zaščitna očala in zaščito za sluh.
- o) Ko je potrebno, uporabljajte osebno zaščitno opremo, kot so rokavice, predpasnik in čelada.
- p) Nikoli ne postavite orodja na tla ali drugo površino, med tem ko deluje. Brusni koluti se vrtiljo tudi po tem, ko ste orodje že izklopili. Nikoli ne dotikajte koluta ali ga postavite na tla ali drugo površino, med tem ko se vrtili.
- q) Prirobnica in prirobna matica morata imeti enak zunanji premer.
- r) Orodje uporabljajte le za opravila, za katera je namenjeno. Nikoli ne uporabljajte hladilnih sredstev ali vode in ga ne uporabljajte kot pritrjeno orodje.
- s) Ko delate, orodje držite trdno z obema rokama.

**NAMEN UPORABE**

Brušenje kovine

Orodje uporabljajte le za opravila, za katera je namenjeno. Uporaba električnega orodja za namene, ki so drugačni od tistih, za katere je bilo orodje zasnovano, lahko povzroči nevarne situacije.

VZDRŽEVANJE**⚠ OPOZORILO**

Ne spreminjajte nobenih nastavitev, ko motor deluje.

Preden se lotite menjave pribora ali nadomestnih delov, podmazovanja ali popravila orodja, vedno izključite napajalni kabel iz omrežja.

- Po vsaki uporabi preglejte orodje in se prepričajte, da je v brezhibnem stanju.
- Priporočamo vam, da to orodje vsaj enkrat letno odnesete v pooblaščen servisni center Ryobi, kjer ga bodo temeljito očistili in podmazali.
- Če je napajalni kabel poškodovan, ga mora zaradi izogibanja tveganja zamenjati proizvajalec ali pooblaščen servis. Obrnite se na pooblaščen servisni center

⚠ OPOZORILO

Vsa popravila naj izvede pooblaščen servisni center ali druga kvalificirana servisna organizacija, ki vam bo zagotovila varnost in zanesljivost.

ZAŠČITA OKOLJA

Namesto, da napravo zavržete, reciklirajte surovine. Napravo, pribor in embalažo je treba sortirati za okolju prijazno recikliranje.

SIMBOLI

Varnostni alarm



Oprema razreda II, dvojna izolacija



Pred zagonom naprave pozorno preberite navodila.



Nosite zaščito za ušesa



Nosite zaščito za oči



Nosite protiprašno masko.



Ne uporabljajte odkrušenih, počenih ali poškodovanih brusilnih kolutov



Ni dovoljeno za mokro brušenje. Pri uporabi vode ali drugih hladilnih tekočin lahko pride do električnega udara.



Nosite zaščitne rokavice



EurAsian oznaka o skladnosti.



Skladnost CE



Odpadne električne izdelke ne odlagajte skupaj z ostalimi gospodinjskimi odpadki. Reciklažo opravljajte na predpisanih mestih. Za nasvet se obrnite na lokalne oblasti.

**VAROVANIE**

Prečítajte si všetky varovania a všetky inštrukcie. Ak nedodržíte varovania a inštrukcie, môže to mať za následok zranenie elektrickým prúdom, požiar a/alebo vážne zranenie.

Všetky varovania a inštrukcie uschovajte pre použitie v budúcnosti.

UHLOVÁ ROZBRUSOVAČKA – BEZPEČNOSTNÉ VÝSTRAHY**BEZPEČNOSTNÉ VÝSTRAHY PRE BRÚSENIE:**

- a) Tento elektrický nástroj funguje ako brúska. Prečítajte si všetky výstrahy, pokyny, vyobrazenia a špecifikácie dodané k tomuto elektrickému nástroju. Pri nedodržaní týchto výstrah a pokynov môže dôjsť k úrazu elektrickým prúdom, požiaru a/alebo závažnému poraneniu
- b) S týmto elektrickým nástrojom sa neodporúča vykonávať operácie ako pieskovanie, brúsenie drôteným kotúčom, leštenie alebo abrazívne rozbrusovanie. Pri vykonávaní operácií, pre ktoré nie je tento elektrický nástroj určený, vzniká riziko vzniku poranenia osôb.
- c) **Nepoužívajte príslušenstvo, ktoré nie je konkrétne určené a odporúčané výrobcom náradia.** To, že príslušenstvo sa dá nasadiť na váš elektrický nástroj, ešte neznamená, že bude pri tom zaistená bezpečná prevádzka.
- d) **Menovitá rýchlosť príslušenstva môže byť maximálne rovnaká maximálnej rýchlosti vyznačenej na elektrickom náradí.** Príslušenstvo pracujúce na vyššej ako svojej menovitej rýchlosti, sa môže rozbiť a rozpadnúť.
- e) **Vonkajší priemer a hrúbka vášho príslušenstva musí byť v rozmedzí menovitej kapacity elektrického náradia.** Príslušenstvo neprimernej veľkosti nie je možné primerane viesť a ovládať.
- f) **Závitová držiak príslušenstva musí zodpovedať závitú vretena brúsky.** Pri príslušenstve montovanom pomocou prírub musí upínací otvor príslušenstva zodpovedať vodiacemu priemeru príruby. Príslušenstvo, ktoré nezodpovedá montážnemu náradíu elektrického nástroja, sa dostane mimo rovnováhu, spôsobí nadmerné vibrácie a môže spôsobiť stratu kontroly.
- g) **Nepoužívajte poškodené príslušenstvo.** Pred každou kontrolou príslušenstva, napríklad abrazívnych kotúčov, skontrolujte, či neobsahuje úlomky alebo praskliny, oporné podložky, nie sú zodraté alebo nadmerne opotrebované, drôtené kotúče, či nie sú uvoľnené alebo nemajú popraskané vlákna. Ak elektrické náradie alebo príslušenstvo spadnú, skontrolujte prípadné poškodenie alebo namontujte nepoškodené príslušenstvo. Po skontrolovaní a namontovaní

príslušenstva sa postavte vy aj okolostojaci mimo roviny rotujúceho príslušenstva a na jednu minútu spustite elektrický náradie na maximálnu rýchlosť bez záťaže. Poškodené príslušenstvo sa zvyčajne počas tohto testu rozpadne.

- h) **Používajte osobné ochranné prostriedky.** V závislosti od použitia používajte chránič na tvár, ochranné alebo bezpečnostné okuliare. Podľa potreby používajte protiprachovú masku, chrániče sluchu, rukavice a pracovnú zásteru schopnú zachytiť malé úlomky brusiva alebo obrobku. Chránič zraku musí byť schopný zastaviť odletujúce úlomky vytvárané pri rôznych úkonoch. Protiprachová maska alebo respirátor musia byť schopné filtrovať častičky vytvárané pri vašej činnosti. Dlhodobé vystavovanie hluku môže spôsobiť stratu sluchu.
- i) **Okolostojacich udržiavajte v bezpečnej vzdialenosti od pracoviska. Každá osoba, ktorý vstúpi do oblasti pracoviska, musí mať osobné ochranné pomôcky.** Úlomky obrobku alebo poškodené príslušenstvo môže odletieť a spôsobiť poranenie aj mimo bezprostredného miesta práce.
- j) **Pri vykonávaní operácie, kedy môže rezacie náradie prísť do kontaktu so skrytým vedením alebo vlastným káblom, držte náradie za izolované úchopné miesta.** Pri kontakte rezacieho príslušenstva so „živým“ vodičom by mohli byť obnažené kovové diely pod prúdom a spôsobiť obsluhujúcemu úder elektrickým prúdom.
- k) **Kábel umiestnite mimo dosahu rotujúceho príslušenstva.** Ak stratíte kontrolu, kábel sa môže prerezať alebo zachytiť a vašu ruku alebo rameno môže vŕtať do otáčajúceho sa príslušenstva.
- l) **Nikdy elektrický nástroj neodkladajte, kým sa príslušenstvo úplne nezastavilo.** Otáčajúce sa príslušenstvo môže zachytiť a stiahnuť elektrické náradie mimo vašej kontroly.
- m) **Nikdy nespúšťajte elektrické náradie, keď ho nosíte na boku.** Pri náhodnom kontakte s otáčajúcim sa príslušenstvom by vám mohlo zachytiť odev a stiahnuť príslušenstvo smerom na vaše telo.
- n) **Pravidelne čistite vzduchové priechody elektrického náradia.** Ventilátor motora vŕta prach dovnútra a nadmerné nahromadenie práškoveho kovu môže spôsobiť ohrozenie elektrickým prúdom.
- o) **Nepracujte s elektrickým náradím v blízkosti zápalných materiálov.** Iskry mohli spôsobiť vznietenie týchto materiálov.
- p) **Nepoužívajte príslušenstvo, ktoré vyžadujú tekuté chladivá.** Pri použití vody alebo iného tekutého chladiva by mohlo dôjsť k usmrteniu alebo úderu elektrickým prúdom.



ĎALŠIE BEZPEČNOSTNÉ POKYNY PRE VŠETKY OPE- RÁCIE

Spätný náraz a súvisiace výstrahy

Spätný náraz je náhla reakcia na zovretý alebo pritlačený rotujúci kotúč, opornú podložku, kefku alebo iné príslušenstvo. Zoškrtanie alebo pritlačenie spôsobí náhle spomalenie otáčajúceho sa príslušenstva, čo zase spôsobí nekontrolované uskočenie elektrického náradia v opačnom smere ako otáčanie príslušenstva v momente zovretia.

Napríklad, ak obrobok priškrtí alebo pritlačí rozbrusovaci kotúč, okraj kotúča vstupujúceho do bodu priškrtienia môže spôsobiť jeho vrytie do povrchu materiálu, čo spôsobí vytiahnutie alebo vykopnutie kotúča. Kotúč môže byť vyskočiť dopredu alebo dozadu od obsluhujúcej osoby, v závislosti od smeru pohybu kotúča v momente priškrtienia. Za týchto podmienok môžu tiež prasknúť abrazívne kotúče.

Spätný náraz je výsledok nesprávneho používania nástroja a/alebo nesprávnych prevádzkových postupov a možno mu predchádzať vykonávaním príslušných predbežných opatrení uvedených nižšie.

- a) **Udržiavajte pevný úchop elektrického náradia a vaše telo a rameno v polohe, ktorá vám umožní odolávať sile spätného nárazu.** Vždy používajte aj pomocnú rukoväť, ak je namontovaná, aby ste dosiahli maximálnu kontrolu nad spätným nárazom alebo momentovou reakciou pri spustení. Sily spätného nárazu alebo momentových reakcií môže obsluhujúca osoba ovládnuť, ak vykoná príslušné protiopatrenia.
- b) **Nikdy nedávajte ruku do blízkosti otáčajúceho sa príslušenstva.** Príslušenstvo môže vykonať spätný náraz do vašej ruky.
- c) **Nepribližujte sa telom do oblastí, kam sa pohne elektrické náradie, keď nastane spätný náraz.** Spätný náraz odhodí náradie opačným smerom od smeru pohybu kotúča v momente priškrtienia.
- d) **Pri opracovávaní rohov, ostrých hrán a pod. buďte zvlášť opatrní.** Zabráňte odsakovaniu a zadrhávaniu príslušenstva. Rohy, ostré hrany alebo odsakovanie majú tendenciu zadrhnúť príslušenstvo a spôsobiť stratu kontroly alebo spätný náraz.
- e) **Nenasadzujte rezbárske ostrie na reťazovú pílu alebo ozubené pílové ostrie.** Takéto ostria často spôsobujú spätný náraz a stratu kontroly

ĎALŠIE BEZPEČNOSTNÉ POKYNY PRE BRÚSENIE

BEZPEČNOSTNÉ VÝSTRAHY ŠPECIFICKÉ PRE BRÚSENIE:

- a) **Používajte len typy kotúčov odporúčané pre váš elektrické náradie a špecifický ochranný kryt pre zvolený kotúč.** Kotúče, pre ktoré nie je tento elektrické náradie určené, nie je možné primerane viesť a nie sú bezpečné.
- b) **Brúsna plocha v strede sploštených kotúčov musí byť namontovaná pod rovinou obruby ochranného**

krytu. Nesprávne namontovaný kotúč, ktorý vyčnieva cez rovinu obruby ochranného krytu, nie je možné primerane chrániť.

- c) **Ochranný kryt musí byť bezpečne nasadený na elektrickom náradí a v polohe zaručujúcej maximálnu bezpečnosť, aby smerom k obsluhujúcemu bola vystavená čo najmenšia časť kotúča.** Ochranný kryt pomáha chrániť obsluhu pred úlomkami materiálu, pred náhodným kontaktom s brúsnym telesom ako aj pred iskrami, ktoré by mohli zapáliť odev používateľa.
- d) **Kotúče možno používať len pre odporúčané aplikácie.** Napríklad, nebrúste s bočnou stranou rozbrusovacieho kotúča. Abrazívne rozbrusovacie kotúče sú určené pre periférne brúsenie, inak by bočné sily aplikované na tieto kotúče mohli zapríčiniť ich rozlomenie.
- e) **Vždy používajte nepoškodené príruby kotúčov správnej veľkosti a tvaru pre váš zvolený kotúč.** Správne príruby kotúčov podopierajú kotúč, a tým znižujú pravdepodobnosť zlomenia kotúča. Príruby pre rozbrusovacie kotúče môžu byť odlišné od prírub pre brúsne kotúče.
- f) **Nepoužívajte vydraté kotúče z väčších elektrických nástrojov.** Kotúče určené pre väčšie elektrické nástroje nie sú vhodné pre vyššie rýchlosti menších nástrojov a môžu prasknúť.

UHLOVÁ ROZBRUSOVAČKA – BEZPEČNOSTNÉ VÝSTRAHY

- a) Skontrolujte, či rýchlosť vyznačená na brúsnom kotúči je rovná alebo vyššia ako menovitá rýchlosť nástroja.
- b) Skontrolujte, či rozmery brúsneho kotúča sú kompatibilné s nástrojom a či je kotúč kompatibilný s vretenom.
- c) Brúsne kotúče je potrebné skladovať na suchom mieste.
- d) Na brúsne kotúče nepokladajte žiadne predmety.
- e) Brúsne kotúče sa nesmú používať pre žiadne iné činnosti ako brúsenie.
- f) Brúsne kotúče je potrebné skladovať a manipulovať s nimi s opatrnosťou, podľa pokynov výrobcu.
- g) Pred použitím skontrolujte brúsny kotúč, či nie je prasknutý alebo vyštrbený. Vyštrbenia alebo praskliny môžu spôsobiť rozlomenie kotúča a následné závažné poranenie.
- h) Skontrolujte, či je kotúč nasadený podľa pokynov v tomto návode.
- i) Pred použitím skontrolujte, či je brúsny kotúč správne namontovaný a utiahnutý a spustíte nástroj na 30 sekúnd v rýchlosti bez záťaže v bezpečnej polohe. Ak dochádza k výrazným vibráciám alebo zistíte iné poruchy, okamžite ho zastavte. V takom prípade skontrolujte nástroj a zistite príčinu.
- j) Nepoužívajte samostatné redukčné zdiery alebo adaptéry na prispôbenie brúsnym kotúčom s veľkým



otvorom.

- k) Skontrolujte, či je obrobok správne podporený.
- l) Používajte len brúsne kotúče schválené spoločnosťou RYOBI.
- m) Dbajte na to, aby iskry vznikajúce pri práci nespôsobili žiadne riziko, napr. nelietali do iných osôb či nevznietili horľavé materiály.
- n) Vždy používajte bezpečnostné ochranné okuliare a chrániče uší.
- o) Podľa potreby používajte aj ostatné ochranné pomôcky ako rukavice, zásteru a helmu.
- p) Nikdy nepokladajte nástroj na dlážku či iné povrchy, keď je spustený. Brúsne kotúče sa ďalej točia aj po vypnutí nástroja. Nikdy sa nedotýkajte kotúča, ani ho nepokladajte na dlážku či iné povrchy, keď sa otáča.
- q) Príruba a upínacia svorka musia mať rovnaký vonkajší priemer.
- r) Nástroj používajte len pre schválené aplikácie. Nikdy nepoužívajte chladivá alebo vodu, ani nepoužívajte nástroj ako pripevnený nástroj.
- s) Pri práci držte nástroj pevne oboma rukami.

ÚČEL POUŽITIA

Brúsenie kovy

Nástroj používajte len pre schválené aplikácie. Pri používaní mechanického nástroja na iné ako určené činnosti môže dôjsť k nebezpečným situáciám.

ÚDRŽBA

⚠ VAROVANIE

Kým sa motor pohybuje, nevykonávajte žiadne nastavenia.

Pred výmenou odnímateľného alebo odoberateľného alebo vymeniteľného dielu, mazaním alebo prácou na jednotke, vždy odpojte napájací kábel zo zásuvky.

- Po použití skontrolujte, či je nástroj v dobrom stave.
- Raz ročne sa odporúča odovzdať nástroj do autorizovaného servisného strediska spoločnosti Ryobi na dôkladné vyčistenie a namazanie.
- Ak dôjde k poškodeniu napájacieho kábla, aby nedošlo k ohrozeniu, musí ho vymeniť výrobca alebo autorizované servisné stredisko. Kontaktujte autorizované servisné centrum

⚠ VAROVANIE

Na zaistenie bezpečnosti a spoľahlivosti musí všetky opravy vykonávať **AUTORIZOVANÉ SERVISNÉ STREDISKO** alebo **KVALIFIKOVANÁ SERVISNÁ ORGANIZÁCIA**.

OCHRANA ŽIVOTNÉHO PROSTREDIA



Surové materiály recyklujte, nelikvidujte ich ako odpad. Stroj, príslušenstvo a obaly by sa mali triedene recyklovať spôsobom šetrným k životnému prostrediu.

SYMBOLY



Výstražná značka



Zariadenie triedy II, dvojitá izolácia



Pred spustením zariadenia si pozorne prečítajte tento návod.



Noste ochranu sluchu



Noste ochranu zraku



Používajte protiprachovú masku.



Nepoužívajte vyštrbený, prasknutý alebo poškodený brúsny kotúč



Nie je povolené na mokré brúsenie. Pri použití vody alebo iného tekutého chladiva by mohlo dôjsť k usmrteniu alebo úderu elektrickým prúdom.



Používajte ochranné rukavice



Euroázijská značka zhody



CE konformita



Opotrebované elektrické zariadenia by ste nemali odhadzovať do domového odpadu. Prosíme o recykláciu ak je možné. Kontaktujte miestne úrady, alebo predajcu pre viac informácií ohľadom ekologického spracovania.

**▲ ΠΡΟΕΙΔΟΠΟΙΗΣΗ**

Διαβάστε προσεκτικά όλες τις προειδοποιήσεις και όλες τις οδηγίες. Η μη τήρηση των ακόλουθων οδηγιών μπορεί να επιφέρει ατυχήματα όπως πυρκαγιές, ηλεκτροπληξίες ή/και σοβαρό σωματικό τραυματισμό.

Φυλάξτε αυτές τις προειδοποιήσεις και οδηγίες για να μπορέσετε να ανατρέξετε μελλοντικά.

ΠΡΟΕΙΔΟΠΟΙΗΣΕΙΣ ΑΣΦΑΛΕΙΑΣ ΓΩΝΙΑΚΟΣ ΤΡΟΧΟΣ**ΟΔΗΓΙΕΣ ΑΣΦΑΛΕΙΑΣ ΓΙΑ ΜΗΧΑΝΕΣ ΤΡΟΧΙΣΜΑΤΟΣ:**

- a) Αυτό το εργαλείο έχει σχεδιαστεί να χρησιμοποιείται σαν μηχανή τροχίσματος. Διαβάστε προσεκτικά όλες τις προειδοποιήσεις, οδηγίες και προδιαγραφές που παρέχονται με το εργαλείο και ανατρέξτε στις εικόνες. Η μη τήρηση των ακόλουθων οδηγιών μπορεί να επιφέρει ατυχήματα όπως πυρκαγιές, ηλεκτροπληξίες ή και σοβαρό σωματικό τραυματισμό.
- b) Εργασίες όπως η αμμοβολή, το βούρτσισμα με σύρμα, το γυάλισμα ή η αποκοπή, δεν προτείνονται να εκτελούνται χρησιμοποιώντας αυτό το ηλεκτροκίνητο εργαλείο. Η μη τήρηση της σύστασης αυτής μπορεί να επιφέρει ατυχήματα και σοβαρό σωματικό τραυματισμό.
- c) Μην χρησιμοποιείτε αξεσουάρ που δεν έχουν σχεδιαστεί ειδικά γι' αυτό το εργαλείο και δεν συνιστώνται από τον κατασκευαστή. Ακόμα κι αν ένα αξεσουάρ μπορεί να τοποθετηθεί σε εργαλείο, αυτό δεν διασφαλίζει ότι μπορείτε να χρησιμοποιείτε το εργαλείο εκείνο με απόλυτη ασφάλεια.
- d) Η ονομαστική ταχύτητα του αξεσουάρ πρέπει να είναι ίση ή μεγαλύτερη από την μέγιστη ταχύτητα που αναγράφεται στο εργαλείο. Τα αξεσουάρ που λειτουργούν με ταχύτητα μεγαλύτερη από την ονομαστική ταχύτητα μπορεί να σπάζουν και να εκτιναχθούν.
- e) Η εξωτερική διάμετρος και το πάχος του αξεσουάρ πρέπει να αντιστοιχούν στα τεχνικά χαρακτηριστικά του εργαλείου. Όταν τα αξεσουάρ δεν αντιστοιχούν στα δεδομένα χαρακτηριστικά, δεν μπορούν να λειτουργήσουν σωστά τα συστήματα προστασίας και ρύθμισης του εργαλείου.
- f) Η σπειρωτή σύνδεση των εξαρτημάτων, πρέπει να αντιστοιχεί με το σπείρωμα της ατράκτου του τροχιστή. Για εξαρτήματα που συνδέονται με φλάντζες, η οπή άξονα του εξαρτήματος πρέπει να αντιστοιχεί με την διάμετρο τοποθέτησης της φλάντζας. Τα εξαρτήματα που δεν αντιστοιχούν με το υλικό σύνδεσης του εργαλείου, χάνουν την ισορροπία τους, έχουν υπερβολικούς κραδασμούς και μπορεί να προκαλέσουν απώλεια ελέγχου.
- g) Μην χρησιμοποιείτε χαλασμένο αξεσουάρ. Πριν από κάθε χρήση, να βεβαιώνετε ότι είναι σε καλή κατάσταση το αξεσουάρ που χρησιμοποιείτε: να προσυρθείτε ότι οι λειαντικοί τροχοί δεν είναι

φαγωμένοι ή ραγισμένοι, ότι τα πέλματα δεν είναι σχισμένα ή φθαρμένα, ότι οι τρίχες των μεταλλικών βουρτσών ότι οι τρίχες των μεταλλικών βουρτσών δεν είναι πολύ φθαρμένες ή σπασμένες. Σε περίπτωση πτώσης του εργαλείου ή του εξαρτήματος, βεβαιωθείτε ότι δεν έχει χαλάσει κανένα στοιχείο, και αν χρειαστεί, τοποθετήστε καινούργιο εξάρτημα. Αφού βεβαιωθείτε ότι το αξεσουάρ είναι σε καλή κατάσταση και αφού το τοποθετήσετε, κρατηθείτε σε απόσταση από το κινητό αξεσουάρ και αφήστε το εργαλείο να φθάσει στη μέγιστη ταχύτητά του για ένα λεπτό. Αν είναι χαλασμένο το αξεσουάρ, θα σπάσει κατά την δοκιμή.

- h) Να φοράτε μέσα ατομικής προστασίας. Ανάλογα με την χρήση του εργαλείου σας, φοράτε προστατευτική μάσκα, γυαλιά ασφαλείας ή προστατευτικά γυαλιά. Αν χρειαστεί, φορέστε μάσκα κατά της σκόνης, ωασιπίδες, γάντια και προστατευτική ποδιά για να προφυλαχτείτε από οιαδήποτε εκτίναξη ξένων σωμάτων (λειαντικά στοιχεία, ροκανίδια κλπ). Τα προστατευτικά γυαλιά αποτρέπουν την εκτίναξη θραυσμάτων και τον τραυματισμό των ματιών. Οι μάσκες κατά της σκόνης φιλτράρουν τα σωματίδια που δημιουργούνται από την εργασία που κάνετε. Η παρατεταμένη έκθεση στο δυνατό θόρυβο μπορεί να προκαλέσει απώλεια της ακοής.
- i) Κρατάτε τους επισκέπτες σε αρκετή απόσταση από την ζώνη εργασίας και φροντίστε να φορούν προστατευτικό εξοπλισμό. Κάθε άτομο που εισέρχεται στο χώρο εργασίας πρέπει να φορούν εξοπλισμό ατομικής προστασίας. Μπορεί να εκτιναχθούν θραύσματα καταγεγραμμένου τεμαχίου ή σπασμένου αξεσουάρ πέρα από την ζώνη εργασίας και να προκαλέσουν σοβαρό σωματικό τραυματισμό.
- j) Κρατάτε το εργαλείο μόνο από τα μονωμένα και αντιολισθητικά τμήματα όταν εργάζεστε σε επιφάνεια η οποία μπορεί να κρβει ηλεκτρικά καλώδια ή όταν η εργασία που θα πραγματοποιήσετε κινδυνεύει να φέρει το καλώδιο παροχής ρεύματος στην διαδρομή του εργαλείου. Η επαφή του εξαρτήματος κοπής με «ζωντανό» καλώδιο (ηλεκτροφόρο) μπορεί να μεταφέρει τον ηλεκτρισμό στα εκτεθειμένα μεταλλικά εξαρτήματα του εργαλείου, προκαλώντας ηλεκτροπληξία στον χειριστή.
- k) Τοποθετήστε το καλώδιο τροφοδότησης με τρόπο ώστε να βρίσκεται σε κάποια απόσταση από το περιστρεφόμενο αξεσουάρ. Αν χάσετε τον έλεγχο του εργαλείου σας, το καλώδιο τροφοδότησης μπορεί να κοπεί ή να μαγκώσει και το χέρι σας ή το μπράτσο σας να παρασυρθεί προς το περιστρεφόμενο αξεσουάρ.
- l) Μην εναποθέτετε ποτέ το εργαλείο σας πριν σταματήσει τελείως το αξεσουάρ. Το περιστρεφόμενο αξεσουάρ μπορεί να έλθει σε επαφή με την επιφάνεια στην οποία είναι τοποθετημένο και να σας κάνει να χάσετε τον έλεγχο του εργαλείου.
- m) Μην βάζετε ποτέ το εργαλείο σας σε λειτουργία όταν το μεταφέρετε. Το περιστρεφόμενο αξεσουάρ μπορεί να πιαστεί στα ρούχα σας και να σας τραυματίσει σοβαρά.



- η) **Καθαρίζετε τακτικά τις σχισμές αερισμού του εργαλείου.** Ο αερισμός του μοτέρ αφήνει να διεισδύουν σκόνες στο εσωτερικό του περιβλήματος μοτέρ, με αποτέλεσμα να δημιουργείται υπερβολική συσσώρευση μεταλλικών σωματιδίων με κίνδυνο την ηλεκτροπληξία.
- ο) **Μην χρησιμοποιείτε το εργαλείο σας κοντά σε εύφλεκτα υλικά.** Οι σπίντες κινδυνεύουν να προκαλέσουν ανάφλεξη.
- ρ) **Μην χρησιμοποιείτε αξεσουάρ που χρειάζονται ψυκτικά ρευστά.** Η χρήση νερού ή ψυκτικών υγρών μπορεί να προκαλέσει ηλεκτροπληξία.

ΠΕΡΙΣΣΟΤΕΡΕΣ ΟΔΗΓΙΕΣ ΑΣΦΑΛΕΙΑΣ ΓΙΑ ΟΛΕΣ ΤΙΣ ΛΕΙΤΟΥΡΓΙΕΣ

Επιστροφή και σχετικές ειδοποιήσεις

Το αναπήδημα είναι μια ξαφνική αντίδραση η οποία λαμβάνει χώρα όταν ο κινούμενος τροχός, το πέλαμα, η βούρσα ή οιοδήποτε άλλο αξεσουάρ μαγκώσει ή στρεβλώσει, με αποτέλεσμα το άμεσο μπλοκάρισμα του αξεσουάρ. Το εργαλείο, το οποίο συνεχίζει να λειτουργεί, εκτινάσσει τότε το αξεσουάρ προς την αντίθετη κατεύθυνση από την φορά χρήσης του αξεσουάρ

Για παράδειγμα, αν ένας λειαντικός τροχός μαγκώσει ή στρεβλώσει μέσα στο κατεργαζόμενο τεμάχιο, η κόψη του τροχού κινδυνεύει να καρφώσει στην επιφάνεια του κατεργαζόμενου τεμαχίου, με αποτέλεσμα ο τροχός να βγει απότομα από το κατεργαζόμενο τεμάχιο ή να κάνει επιστροφή. Σε περίπτωση αναπήδηματος, ο λειαντικός τροχός μπορεί ακόμα και να σπάσει. Το αναπήδημα είναι συνεισώως το αποτέλεσμα λανθασμένης χρήσης του εργαλείου ή και λανθασμένων διαδικασιών ή συνθηκών κοπής.

Το αναπήδημα είναι συνεισώως το αποτέλεσμα λανθασμένης χρήσης του εργαλείου ή και λανθασμένων διαδικασιών ή συνθηκών κοπής. Μπορεί ωστόσο να αποφευχθεί πηρώντας ορισμένες προφυλάξεις:

- α) **Κρατάτε σταθερά το εργαλείο και φέρετε το σώμα σας και το μπράτσο σας σε κατάλληλη θέση ώστε να μπορείτε να ελέγχετε τυχόν αναπήδημα.** Αν το εργαλείο διαθέτει βοηθητική λαβή, φροντίστε να την κρατάτε πάντα για να έχετε άριστο έλεγχο του εργαλείου σε περίπτωση αναπήδηματος ή ζεύγους αντίδρασης κατά την έναρξη λειτουργίας του εργαλείου. Πάιρνετε τα απαραίτητα μέτρα για να μπορείτε να ελέγχετε το εργαλείο σας σε περίπτωση αναπήδηματος ή ζεύγους αντίδρασης.
- β) **Μην βάζετε ποτέ το χέρι σας κοντά στο περιστρεφόμενο αξεσουάρ για να αποτρέψετε τον κίνδυνο σοβαρού σωματικού τραυματισμού σε περίπτωση αναπήδηματος.** Εξάρτημα μπορεί να κλωτσήσει επάνω από το χέρι σας.
- γ) **Μην στέκεστε μέσα στη ζώνη όπου κινδυνεύει να εκτιναχτεί το εργαλείο σε περίπτωση αναπήδηματος.** Σε περίπτωση αναπήδηματος, το εργαλείο εκτινάσσεται προς την αντίθετη κατεύθυνση από την φορά περιστροφής του τροχού.
- δ) **Προσέχετε ιδιαίτερα όταν εργάζεστε σε γωνίες,**

κοφτερές άκρες κλπ. Φροντίστε να μην σας πλαισιολισθήσει ή να σας μαγκώσει το αξεσουάρ. Όταν εργάζεστε σε γωνίες ή κοφτερές άκρες ή όταν σας πλαισιολισθήσει το εργαλείο, ο κίνδυνος είναι πιο μεγάλος να μπλοκάρει το αξεσουάρ και να χάσετε τον έλεγχο του εργαλείου προκαλώντας αναπήδημα.

- ε) **Μην χρησιμοποιείτε ποτέ λάμα αλυσοπριονίου ή λάμα πριονιού με αυτό το εργαλείο.** Αυτού του είδους οι λάμες αυξάνουν τον κίνδυνο αναπήδηματος και απώλειας ελέγχου του εργαλείου.

ΣΥΜΠΛΗΡΩΜΑΤΙΚΕΣ ΟΔΗΓΙΕΣ ΑΣΦΑΛΕΙΑΣ ΓΙΑ ΕΡΓΑΣΙΕΣ ΛΕΙΑΝΣΗΣ / ΑΚΟΝΙΣΜΑΤΟΣ

ΕΙΔΙΚΕΣ ΠΡΟΕΙΔΟΠΟΙΗΣΕΙΣ ΑΣΦΑΛΕΙΑΣ ΓΙΑ ΕΡΓΑΣΙΕΣ ΑΚΟΝΙΣΜΑΤΟΣ:

- α) **Χρησιμοποιείτε μόνο τύπους τροχών που προτείνονται για το ηλεκτροκίνητο εργαλείο σας και το συγκεκριμένο προστατευτικό που έχει σχεδιαστεί για τον επιλεγμένο τροχό.** Τροχοί για τους οποίους δεν έχει σχεδιαστεί το εργαλείο, δεν προστατεύονται επαρκώς και δεν είναι ασφαλείς.
- β) **Η επιφάνεια λείανσης πεπιεσμένων τροχών στο κέντρο, πρέπει να τοποθετείται κάτω από το επίπεδο του προστατευτικού χείλους.** Εσφαλμένα τοποθετημένοι τροχοί που προεξέχουν από το επίπεδο του προστατευτικού χείλους, δεν προστατεύονται επαρκώς.
- γ) **Το προστατευτικό πρέπει να βρίσκεται πάντα τοποθετημένο στο ηλεκτροκίνητο εργαλείο και στη σωστή θέση για μέγιστη ασφάλεια, έτσι ώστε να εκτίθεται όσο γίνεται μικρότερος βαθμός του τροχού προς τον χειριστή.** Το προστατευτικό βοηθά στην προστασία του χειριστή από σπασμένα τεμάχια του τροχού και από τυχαία επαφή με τον τροχό και με σπινθήρες, οι οποίοι θα μπορούσαν να αναφλέξουν το ρουχισμό.
- δ) **Οι τροχοί πρέπει να χρησιμοποιούνται μόνο για τις προτεινόμενες εφαρμογές.** Για παράδειγμα, μην εκτελείτε εργασίες ακονίσματος / λείανσης με την πλευρά του τροχού αποκοπής. Οι λειαντικοί τροχοί αποκοπής διατίθενται για περιφερειακό ακονισμό - εάν ασκηθεί πλευρική πίεση σε αυτούς τους τροχούς ενδέχεται να θρυμματιστούν.
- ε) **Χρησιμοποιείτε πάντα φλάντζες τροχών σε άριστη κατάσταση και με σωστό μέγεθος και σχήμα για τον επιλεγμένο τροχό.** Οι σωστές φλάντζες τροχών στηρίζουν τον τροχό και μειώνουν την πιθανότητα σπασίματος του. Οι φλάντζες για τους τροχούς αποκοπής μπορεί να διαφέρουν από τις φλάντζες τροχών ακονίσματος.
- φ) **Μην χρησιμοποιείτε φαρμαμένους τροχούς από μεγαλύτερα ηλεκτροκίνητα εργαλεία.** Τροχοί για μεγαλύτερα ηλεκτροκίνητα εργαλεία δεν είναι κατάλληλοι για τις υψηλότερες ταχύτητες που αναπτύσσουν τα μικρότερα εργαλεία και ενδέχεται να σπάσουν.

**ΠΡΟΕΙΔΟΠΟΙΗΣΕΙΣ ΑΣΦΑΛΕΙΑΣ ΓΩΝΙΑΚΟΣ ΤΡΟΧΟΣ**

- a) Βεβαιωθείτε πως η ταχύτητα που ενδείκνυται επάνω στο δίσκο ξακρίσματος είναι ίδια ή μεγαλύτερη από την ονομαστική ταχύτητα του εργαλείου.
- b) Βεβαιωθείτε πως η διάμετρος του δίσκου ξακρίσματος είναι συμβατή με το εργαλείο και πως ο δίσκος προσαρμόζεται σωστά στον άξονα.
- c) Οι δίσκοι πρέπει να τακτοποιούνται σε μέρος ξηρό.
- d) Μην τοποθετείτε κανένα αντικείμενο επάνω στους δίσκους.
- e) Οι δίσκοι δεν πρέπει να χρησιμοποιούνται για άλλο σκοπό από τις ενέργειες τροχίσματος.
- f) Τακτοποιείστε και χειριστείτε τους δίσκους με προσοχή, σύμφωνα με τις οδηγίες του κατασκευαστή.
- g) Πριν χρησιμοποιήσετε τον δίσκο, βεβαιωθείτε πως δεν έχει ραγίσει ή δε φέρει ρωγμές. Σε τέτοια περίπτωση, ο δίσκος μπορεί να σπάσει, γεγονός που μπορεί να προκαλέσει σοβαρό σωματικό τραυματισμό.
- h) Βεβαιωθείτε πως ο δίσκος είναι τοποθετημένος σύμφωνα με τις παρούσες οδηγίες.
- i) Βεβαιωθείτε πριν τη χρήση πως ο δίσκος είναι σωστά τοποθετημένος και σφιγμένος, έπειτα λειτουργήστε το εργαλείο σας στο κενό για 30 δευτερόλεπτα προανατολιζόντάς το έτσι ώστε να μην παρουσιάζει κανέναν κίνδυνο. Σταματήστε αμέσως το εργαλείο σας αν δονείται υπερβολικά ή αν παρατηρήσετε άλλα προβλήματα. Στην περίπτωση αυτή, ελέγξτε το εργαλείο σας για να προσδιορίσετε την αιτία του προβλήματος.
- j) Μη χρησιμοποιείτε δακτυλίδια οδηγού ή αποστάτες για να μειώσετε την κυλινδρική οπή κάποιου δίσκου με μεγάλη κυλινδρική οπή.
- k) Ελέγξτε πως το προς επεξεργασία αντικείμενο συγκρατείται σωστά.
- l) Χρησιμοποιήστε μόνο τους συνιστώμενους από την RYOBI τροχούς λείανσης.
- m) Βεβαιωθείτε πως οι δημιουργούμενες από τη χρήση του εργαλείου σπίθες δεν προκαλούν επικίνδυνες καταστάσεις, παραδείγματος χάρη πως δεν εκτοξεύονται προς άτομα ή εύφλεκτες ουσίες.
- n) Φροντίστε να φοράτε πάντα προστατευτικά γυαλιά και ωασιπίδες.
- o) Αν χρειάζεται, χρησιμοποιήστε και άλλους προστατευτικούς εξοπλισμούς, όπως γάντια, ποδιά ή κράνος.
- p) Μην ακουμπάτε ποτέ το εργαλείο σας στο έδαφος ή σε άλλες επιφάνειες όταν βρίσκεται σε λειτουργία. Προσοχή, ο δίσκος περιστρέφεται με τη δύναμη της αδράνειας μετά τη στάση του εργαλείου. Δεν πρέπει ποτέ ούτε να αγγίζετε το δίσκο, ούτε να τον ακουμπάτε στο έδαφος ή σε άλλες επιφάνειες όταν περιστρέφεται.
- q) Η φλάντζα του δίσκου και η εξωτερική φλάντζα πρέπει να έχουν την ίδια εξωτερική διάμετρο.
- r) Μη χρησιμοποιείτε το εργαλείο σας για εφαρμογές για τις οποίες δεν προορίζεται. Μη χρησιμοποιείτε ποτέ ψυκτικό υγρό ή νερό. Μη χρησιμοποιείτε το εργαλείο σας σαν σταθερό εργαλείο.

- s) Όταν χρησιμοποιείτε το εργαλείο σας, κρατάτε το γερά με τα δύο χέρια.

ΠΡΟΟΡΙΖΟΜΕΝΗ ΧΡΗΣΗ

Λείανση / ακόνισμα μέταλλα

Μη χρησιμοποιείτε το εργαλείο σας για εφαρμογές για τις οποίες δεν προορίζεται. Η χρήση του μηχανοκίνητου εργαλείου για εργασίες διαφορετικές από τις προοριζόμενες μπορεί να προκαλέσει κινδύνους.

ΣΥΝΤΗΡΗΣΗ**▲ ΠΡΟΕΙΔΟΠΟΙΗΣΗ**

Μην πραγματοποιείτε καμία ρυθμισμό όταν ο κινητήρας βρίσκεται σε λειτουργία.

Αποσυνδέετε πάντα το καλώδιο ρεύματος από την πρίζα πριν αντικαταστήσετε κάποιο αποσπώμενο ή επεκτεινόμενο εξάρτημα (δίσκος λείανσης), λιπάνετε το εργαλείο ή πριν από οποιαδήποτε ενέργεια συντήρησης.

- Μετά τη χρήση, βεβαιωθείτε πως το εργαλείο σας βρίσκεται σε καλή κατάσταση λειτουργίας.
- Συνιστάται να φέρνετε το εργαλείο σας τουλάχιστον μια φορά το χρόνο σε κάποιο εξουσιοδοτημένο ή Κέντρο Τεχνικής Εξυπηρέτησης Ryobi για πλήρη λίπανση και καθάρισμα.
- Αν το καλώδιο παροχής ρεύματος φθαρεί, πρέπει να αντικατασταθεί μόνο από τον παρασκευαστή ή εξουσιοδοτημένο κέντρο σέρβις για αποφυγή κινδύνων. Επικοινωνήστε με ένα Εξουσιοδοτημένο Κέντρο Επισκευής

▲ ΠΡΟΕΙΔΟΠΟΙΗΣΗ

Για μεγαλύτερη ασφάλεια και αξιοπιστία, όλες οι επιδιορθώσεις πρέπει να πραγματοποιούνται από εγκεκριμένο Κέντρο Τεχνικής Εξυπηρέτησης Ryobi.

ΠΡΟΣΤΑΣΙΑ ΤΟΥ ΠΕΡΙΒΑΛΛΟΝΤΟΣ

Ανακυκλώνετε τις πρώτες ύλες αντί να τις πετάτε ως απορρίμματα. Για την προστασία του περιβάλλοντος, πρέπει να γίνεται η διαλογή του εργαλείου, των εξαρτημάτων και των συσκευασιών του.

ΣΥΜΒΟΛΑ

Προειδοποίηση ασφάλειας



Εξοπλισμός Κλάσης II, διπλή μόνωση



Παρακαλούμε διαβάστε προσεκτικά τις οδηγίες πριν χρησιμοποιήσετε το προϊόν.



Φοράτε προστατευτικά αυτιών



Φοράτε προστατευτικά ματιών



Φοράτε μάσκα προστασίας από πριονίδια/σωματίδια.



Μην χρησιμοποιείτε λειαντικούς τροχούς που έχουν ξεφλουδίσει, ραγίσει ή είναι ελαττωματικοί



Δεν επιτρέπεται η χρήση για υγρή λείανση. Η χρήση νερού ή ψυκτικών υγρών μπορεί να προκαλέσει ηλεκτροπληξία.



Φοράτε προστατευτικά γάντια



EurAsian σήμα πιστότητας.



Συμμόρφωση CE



Τα ηλεκτρικά προϊόντα προς απόρριψη δεν θα πρέπει να απορρίπτονται μαζί με τα οικιακά απόβλητα. Παρακαλούμε ανακυκλώστε όπου υπάρχουν οι αντίστοιχες εγκαταστάσεις. Μιλήστε με τις τοπικές αρχές ή τον πωλητή για να σας ενημερώσουν σχετικά με τα προγράμματα ανακύκλωσης.



⚠ UYARI

Tüm uyarıları ve tüm talimatları dikkatli bir şekilde okuyun. Aşağıda sunulan talimatlara uyulmaması, yangınlar, elektrik çarpmaları gibi kazalara ve/veya ciddi fiziksel yaralanmalara neden olabilir.

Bu uyarıları ve talimatları daha sonra bakabilmek için saklayın.

AÇILI TAŞLAMA MAKİNESİ GÜVENLİK UYARILARI

TAŞLAMA MAKİNELERİ, POMZA TAŞI İLE PERDAHLAMA MAKİNELERİ:

- Bu alet, taşlama makinesi, pomza taşı ile perdahlama makinesi. Bu aletle birlikte verilen tüm uyarı, talimat ve özellikleri dikkatlice okuyunuz ve resimli açıklamalara bakınız. Aşağıda belirtilen talimatlara uyulmaması, yangın, elektrik çarpması ve/veya ciddi bedensel yaralanmalar gibi kazalar sebep olabilir.**
- Kuylama, tel fırça ile fırçalama, cilalama veya kesme gibi işlemlerin bu elektrikli aletle yapılması tavsiye edilmez. Bu talimata uyulmaması kazalara ve ciddi bedensel yaralanmalara sebep olabilir.**
- Bu alet için özel olarak tasarlanmış olmayan ve üretici tarafından önerilmeyen aksesuarları kullanmayın. Bir aksesuar bir alet üzerine takılabilir bile, bu, cihazı güvenlik içerisinde kullanabileceğiniz anlamına gelmemektedir.**
- Aksesuarın nominal hızının, alet üzerinde belirtilen azami hıza eşit veya üzerinde olması gerekmektedir. Bir aksesorun hızlarından daha yüksek bir hızda çalışan aksesuarlar kırışabilir veya fırlayabilir.**
- Aksesuarın dış çapı ve kalınlığının, cihaz için belirtilen özelliklere tekabül etmesi gerekmektedir. Eğer aksesuarlar verilen özelliklere uymuyor ise, aletin koruma ve ayarlama sistemleri doğru olarak çalışamazlar.**
- Aksesuarların dişli birleşme yerlerinin taşlama makinesinin milinin dişleri ile uyumlu olması gerekir. Flanşlarla monte edilen aksesuarlardaki dingil deliği ile flanşın yerleştirme çapı uyumlu olmalıdır. Elektrikli aletin montaj donanımına uygun olmayan aksesuarlar dengesizleşir, aşırı titreşim ve kontrol kaybına yol açar.**
- Hasar görmüş bir aksesuarı kullanmayın. Her kullanımdan önce, kullandığınız aksesuarın iyi durumda olmasını kontrol edin: aşındırıcı disklerin çizilmiş veya çatlamış olmasına, patenlerin yırtılmış veya yıpranmış olmasına, metalik fırçaların kollarının çok yıpranmış veya kırılmış olmasında emin olun. Aletin veya aksesuarın düşmesi durumunda, hiçbir parçanın hasar görmemiş olduğunu kontrol edin ve gerekirse yeni bir aksesuar takın. Aksesuarın iyi durumda olmasını kontrol ettikten ve aksesuarı taktıktan**

sonra, hareketli aksesuardan uzak durun ve bir dakika boyunca aletin azami hızına erişmesini bekleyin. Eğer aksesuar hasar görmüş ise, bu test esnasında kırılacaktır.

- Kişisel koruyucu donanımlar kullanın. Aletinizi kullandığınız şekle göre, bir koruma maskesi, güvenlik gözlükleri veya koruma gözlükleri takın. Gerekirse, toz önleyici bir maske, sese karşı koruyucular, eldivenler ve her türlü yabancı madde (aşındırıcı unsurlar, ağaç talaşı, vs.) sıçramasına karşı kendinizi korumak için bir koruma tablası kullanın. Koruma gözlükleri, sıçrayan parçaların gözlerinizi yaralamamasını sağlar. Toz önleyici maskeler, yaptığınız işlemin ürettiği partiküllerin filtrelenmesini sağlar. Uzun süre çok yoğun bir gürültüye maruz kalınması, duyum kaybına sebep olabilir.**
- Ziyaretçileri çalışma alanına uzak bir mesafede tutun ve bir koruma ekipmanı takmalarına dikkat edin. Herkes Çalışma alanınıza giren kişisel koruyucu donanımlar giymek gerekir. Üretilcek parçanın veya kırılmış bir aksesuarın kalıntıları çalışma alanının dışına fırlayabilir ve ciddi bedensel yaralanmalara sebep olabilir.**
- Elektrik kablolarını gizleyen bir yüzey üzerinde çalıştığınızda veya yapılan çalışmanın elektrik kablosuna aletin yürümesine getirmeye elverişli olduğunda cihazı sadece yalıtımlı ve kaymaz kısımlarından tutun. Kesici aksesuarın elektrik geçen kabloyla temas etmesi, elektrikli aletin metal parçalarının elektrikle yüklenmesine ve kullanıcının elektrikle çarpmasına neden olabilir.**
- Elektrik kablosunu, dönen aksesuardan uzak bir mesafeye yerleştirin. Eğer aletinizin kontrolünü kaybederseniz, elektrik kablosu kesilebilir veya sıkışabilir ve eliniz veya kolunuz dönen aksesuara doğru itilebilir.**
- Aksesuar tamamen durmadan aleti asla bırakmayın. Dönen aksesuar, konulduğu yere temas edebilir ve sizin aletin kontrolünü kaybetmenize sebep olabilir.**
- Taşırken aletinizi çalıştırmayın. Dönen aksesuar kıyafetleriniz kapabilir ve sizi ciddi bir şekilde yaralayabilir.**
- Aletin havalandırma boşluklarını düzenli olarak temizleyin. Motorun havalandırılması, motor kabarti içerisine toz girmesine sebep olur ve bu da metalik partiküllerin aşırı şekilde toplanmasına elektrik çarpmalarına sebep olabilir.**
- Aletinizi yanıcı unsurların yanında kullanmayın. Kıvılcıklar bunların tutuşmasına sebep olabilir.**
- Soğutma sıvıları gerektiren aksesuarlar kullanmayın. Su veya soğutma sıvısının kullanılması, elektrik çarpmasına veya buna bağlı ölümlere sebep olabilir.**

TÜM İŞLEMLER İÇİN İLAVE GÜVENLİK TALİMATLARI**Geri tepme ve ilgili uyarılar**

Sıçrama, taşlama makinesi hareket halinde iken, paten, fırça veya diğer aksesuarlar delerken veya keserken gerçekleşen ani bir tepkidir ve sonucunda aksesuar hızla bloke edilir. Alet, çalışmaya devam eder, bu durumda aleti aksesuarın kullanıldığı yönün aksi yönüne doğru sıçratır.

Örneğin, aşındırıcı bir disk iş parçasına takılır veya iş parçasına sıkışırsa, sıkışan diskin kenarı iş parçasına girebilir ve bu durum diskin çıkmasına veya aniden fırlamasına yol açabilir. Tekerlek ya doğru ya da uzağa operatörünüzden, tekerlek hareketi yönüne pinching noktasında bağlı atlama olabilir. Sıçrama olması durumunda, aşındırıcı disk ayrıca kırılabilir de.

Dolayısıyla sıçrama, aletin yanlış olarak kullanılmasının ve/veya hatalı kullanım yöntem ve koşullarının sonucunda oluşur. Birkaç tedbire uyarak bu önlenbilir:

- Aleti sıkıca tutun ve vücudunuzu ve kolunuzu, olası bir sıçramayı kontrol edebilecek şekilde yerleştirin.** Eğer aletin yardımcı bir kolu varsa, sıçrama veya aletin çalıştığı anda reaksiyon momenti olması durumunda aleti daha iyi kontrol edebilmek için her zaman bu yardımcı kolu tutun. Sıçrama veya reaksiyon momenti olması durumunda aletinizi kontrol edebilmek için gerekli tedbirleri alın.
- Sıçrama anında meydana gelebilecek her türlü bedensel yaralanmayı önlemek için - Elinizi asla dönen aksesuarın yakınına koymayın** Elinizi yere Aksesuar olabilir komisyon.
- Sıçrama halinde aletini fırlatılma riskinin olduğu bölgede durmayın.** Sıçrama olması durumunda, alet, diskin dönme yönünün aksi istikametine fırlatılır.
- Özellikle köşelerde, keskin kenarlarda, vs çalışırken dikkatli olun. Aksesuarı kaydırmamaya veya sıkıştırmamaya özen gösterin.** Aksesuarı kaydırmamaya veya sıkıştırmamaya özen gösterin. köşelerde veya keskin kenarlarda çalışırken veya aleti kaydırırken, aksesuarın bloke olma riski ve dolayısıyla aletin kontrolünü kaybetme ve bir sıçramaya sebep olma riski daha fazladır.
- Bu alet ile asla ağaç kesme bıçağını veya testere bıçağını kullanmayın.** Bu tür bıçaklar sıçrama ve aletin kontrolünü kaybetme riskini artırmaktadır.

TAŞLAMA İŞLEMLERİ İÇİN EK GÜVENLİK TALİMATLARI**TAŞLAMA İŞLEMLERİ İÇİN ÖZEL GÜVENLİK UYARILARI:**

- Sadece elektrikli aletiniz için tavsiye edilen dişli türlerini ve seçilen dişli için tasarlanmış özel korumayı kullanınız.** Elektrikli alete uygun tasarlanmamış çarklar yeterince iyi kontrol edilemez ve güvenli değildir.
- Ortadan basık çarkların taşlama yapan yüzeyi, koruyucu kenarın düz kısmının altına monte**

edilmelidir. Koruyucu kenarın düz kısmı boyunca hareket eden bir çark yanlış monte edilirse yeterince korunamaz.

- Koruma, elektrikli alete güvenli bir şekilde bağlanmalı ve maksimum güvenlik sağlayacak şekilde konumlandırılmalıdır, böylece operatör dişliye minimum miktarda maruz kalır.** Koruyucu operatörü kırık çark parçalarına ve kıyafeti yakabilecek, istenmeyen çark ve kıvılcım temasına karşı korur.
- Dişliler sadece tavsiye edilen uygulamalar için kullanılmalıdır. Örneğin, kesme dişlilerinin yanlarıyla taşlama yapmayın.** Taşlama taşlı kesici çarklar sadece çevresel taşlama işlemi için üretilmiştir, çarklara yanlardan uygulanacak basınç çarkın dağılmasına sebep olabilir.
- Seçtiğiniz dişliniz için her zaman doğru boyutta ve şekilde zarar görmemiş dişli flanşları kullanın.** Uygun dişli flanşları dişliyi destekleyerek dişli kırılması olasılığını azaltırlar. Kesme dişlileri için flanşlar taşlama dişli flanşlarından farklı olabilir.
- Daha büyük elektrikli aletlerin aşındırılmış dişlilerini kullanmayın.** Daha büyük bir alet için tasarlanmış çarklar daha küçük bir aletin daha hızlı çalışmasına uygun değildir ve patlayabilir.

AÇILI TAŞLAMA MAKİNESİ GÜVENLİK UYARILARI

- Temizleme taşı üzerinde belirtilen hızın aletin nominal hızına eşit veya ondan yüksek olup olmadığını kontrol ediniz.
- Temizleme taşının çapının aletle uyumlu olup olmadığını ve temizleme taşının mil üzerine doğru şekilde oturup oturmadığından emin olunuz.
- Temizleme taşları kuru bir yerde muhafaza edilmelidir.
- Bileğitaşlarının üzerine hiçbir eşya koymayınız.
- Taşlar taşlama işlemleri dışındaki işler için kullanılmamalıdır.
- Taşlar, üreticinin talimatlarına uygun şekilde özenlice saklanmalı ve kullanılmalıdır.
- Taşları kullanmadan önce, aşınmış veya çatlamış olmamasına dikkat ediniz. Böyle bir durum söz konusuysa, taş çatlatabilir ve bu da önemli fiziki yaralanmalara yol açabilir.
- Taşın iş bu kılavuzda belirtilen talimatlara uygun şekilde monte edildiğinden emin olunuz.
- Kullanmadan önce, taşın düzgün şekilde monte edildiğinden ve sıkıldığından emin olunuz, daha sonra aleti hiçbir tehlike oluşturmayacak şekilde çevirerek yaklaşık 30 saniye boyunca boşta çeviriniz. Aşırı derecede titreşimler varsa veya başka sorunlar görüyorsanız aletinizi derhal durdurunuz. Bu olasılığa karşı, problemin nedenini belirlemek için aletinizi kontrol ediniz.
- Taşların büyük iç perdahını küçültmek için küçültme halkaları veya tespit burçları kullanmayınız.
- Üzerinde çalışılacak parçanın düzgün şekilde



tutulduğundan emin olunuz.

- l) Sadece RYOBI tarafından önerilen bileği taşlarını kullanınız.
- m) Aletin kullanımından doğan kıvılcıkların insan veya yanıcı madde üzerine sıçramaları gibi tehlikeli durum oluşturmadığından emin olunuz.
- n) Her zaman koruma gözlükleri takmaya ve kulaklarınızı sese karşı korumaya özen gösteriniz.
- o) Gerekliyse, eldiven, önlük veya kask gibi başka koruyucular kullanın.
- p) Çalışma durumundayken, aletinizi yere veya başka yüzeyler üzerine bırakmayınız. Dikkat, taş alet durduktan sonra da biraz döner. Döndüğü sırada, taşla asla dokunmamalısınız veya başka zeminler üzerine bırakmamalısınız.
- q) Taşın kapağı ve dış kapak aynı dış çapa sahip olmalıdır.
- r) Aletinizi sadece yapım amacına uygun işlemlerde kullanınız. Asla soğutma suyu veya su kullanmayınız. Aletinizi sabit bir alet gibi kullanmayınız.
- s) Aletinizi kullandığınızda, iki elinizle sıkıca tutunuz.

KULLANIM AMACI

Taşlama metaller

Aletinizi sadece yapım amacına uygun işlemlerde kullanınız. Elektrikli aletin tasarladığından farklı bir işte kullanılması tehlikeli durumlara neden olabilir.

BAKIM

⚠ UYARI

Motor çalıştığında hiçbir ayarlama gerçekleştirmeyin.

Çıkarılabilen ve sarf edilen parçaları değiştirme, aleti yağlama veya ünite üzerinde çalışmaya başlamadan önce elektrik kablosunu prizden çekin.

- Kullanımdan sonra, aletinizin doğru çalıştığından emin olun.
- Yağlama ve komple temizleme için aletinizi yılda bir kere Ryobi Yetkili Servis Merkezine getirmeniz önerilir.
- Elektrik kablosu hasar görmüşse tehlikeyi önlemek için sadece üretici veya yetkili bir servis merkezi tarafından değiştirilmelidir. Yetkili servise başvurun

⚠ UYARI

Daha fazla güvenlik için, tüm onarımlar Ryobi Yetkili Servis Merkezinde gerçekleştirilmelidir.

ÇEVRENİN KORUNMASI



Ham maddeleri çöp olarak atmak yerine geri dönüştürün. Çevreyi korumak için, alet, aksesuarlar ve ambalajlar tasnif edilmelidir.

SEMBOLLER



Güvenlik Uyarısı



Sınıf II ekipmanı, çift yalıtımlı



Ürünü çalıştırmadan önce, lütfen aşağıdaki talimatları dikkatlice okuyun.



Koruyucu kulaklık kullanın



Koruyucu gözlük kullanın



Toz maskesi kullanın.



Kırık, çatlak ya da arızalı taşlama çarkını kullanmayın



Islak taşlama yapılamaz. Su veya soğutma sıvısının kullanılması, elektrik çarpmasına veya buna bağlı ölümlere sebep olabilir.



Emniyet eldivenleri giyin



EurAsian Uyumluluk işareti



CE Uygunluğu

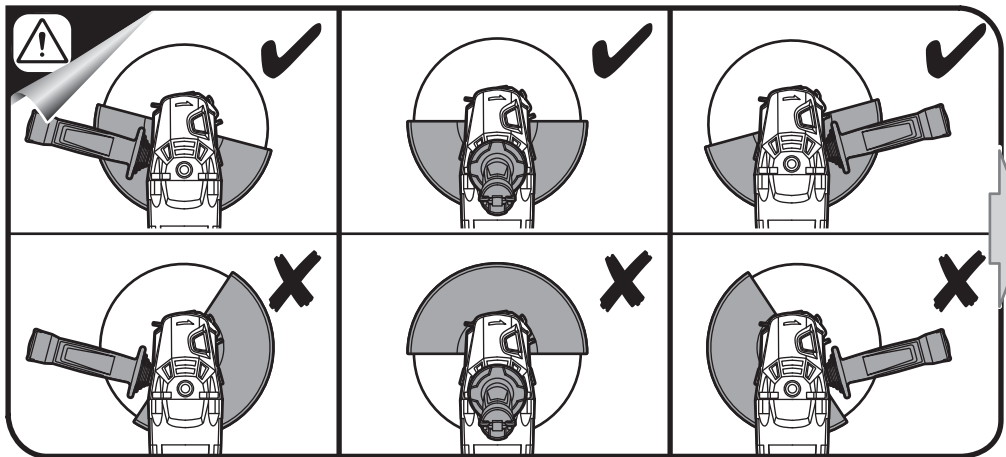
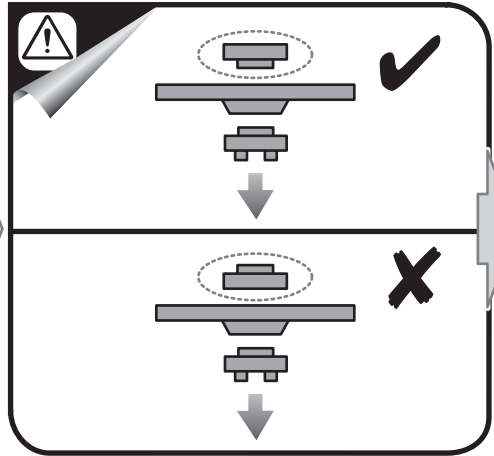
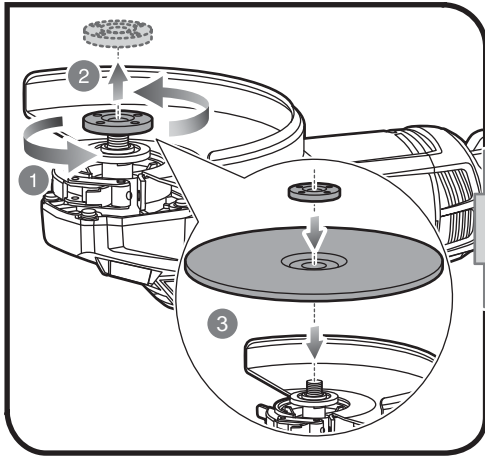


Atık elektrikli ürünler evsel atıklarla birlikte atılmamalıdır. Tesis bulunuyorsa lütfen geri dönüşüme verin. Geri dönüşümle ilgili tavsiye için Yerel Makamlarla veya bayi ile irtibat kurun.



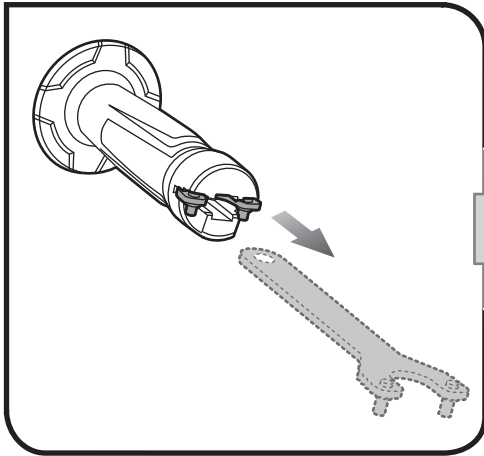


1

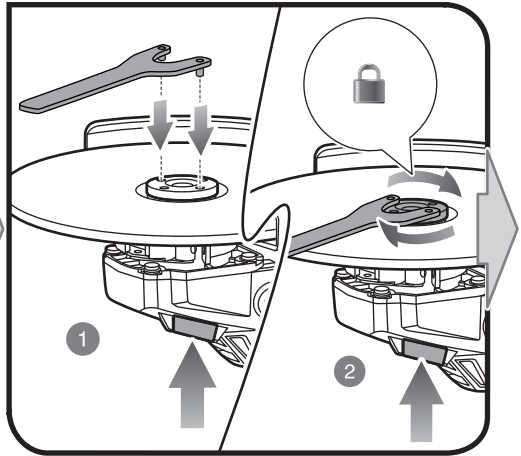




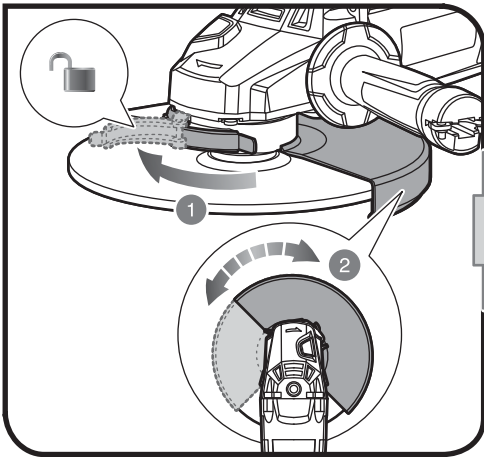
2



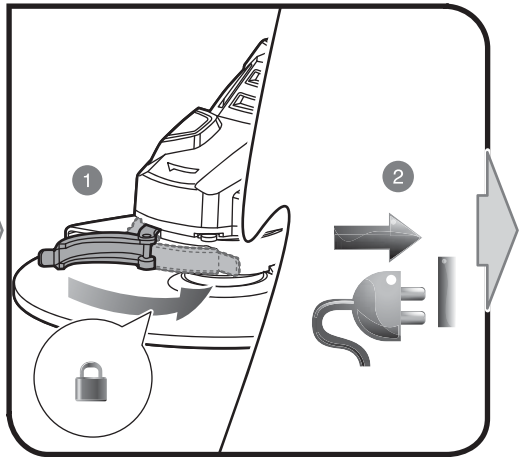
3



5

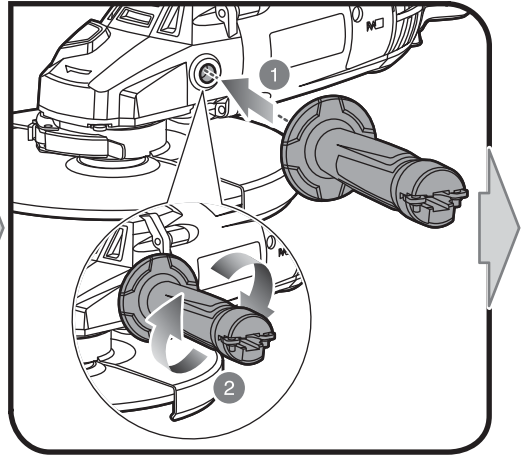
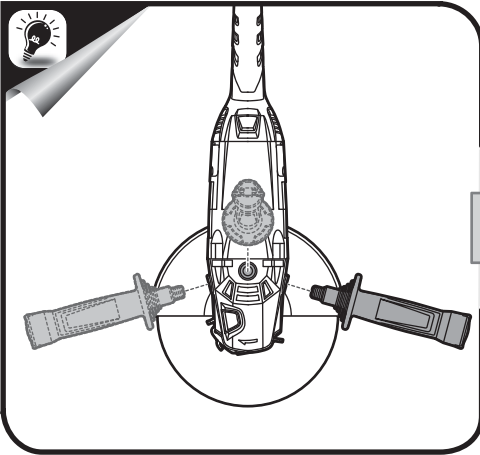


6

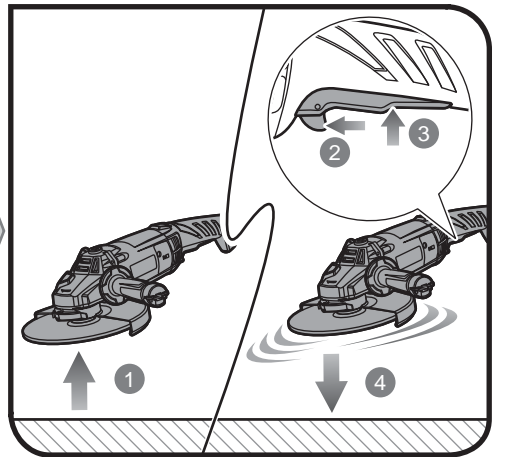
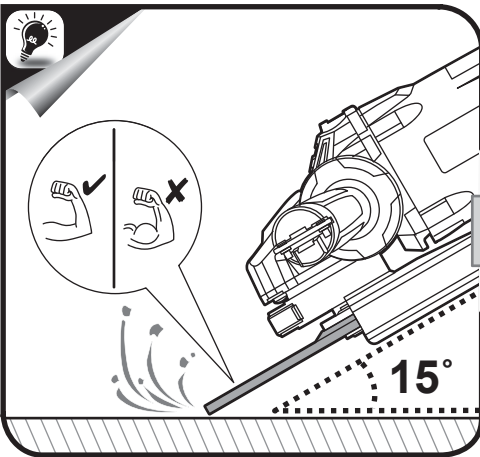


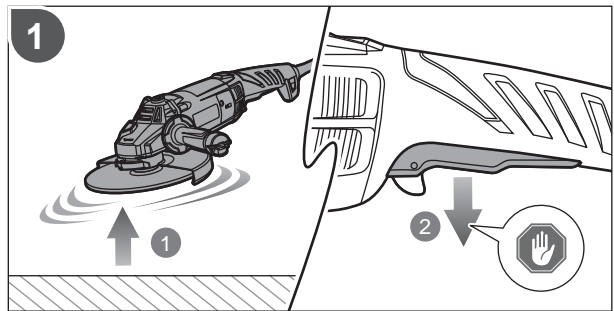
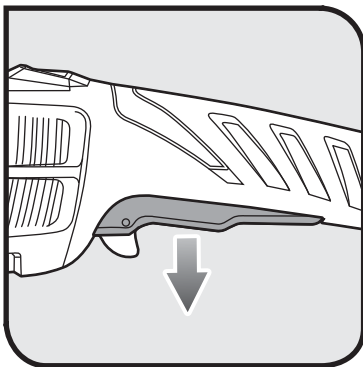
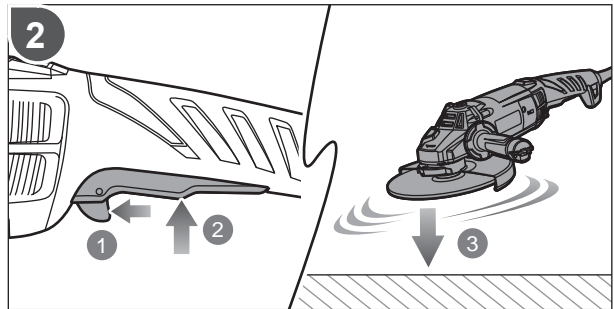
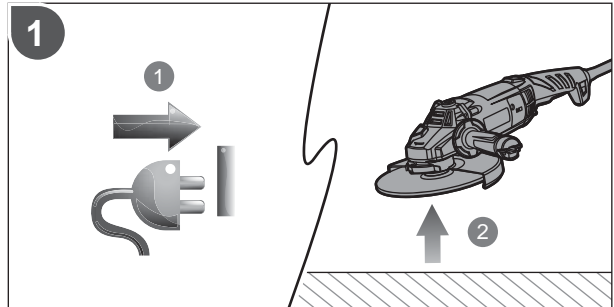
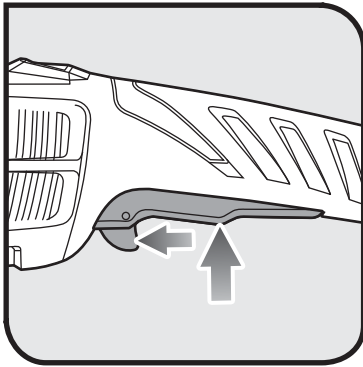


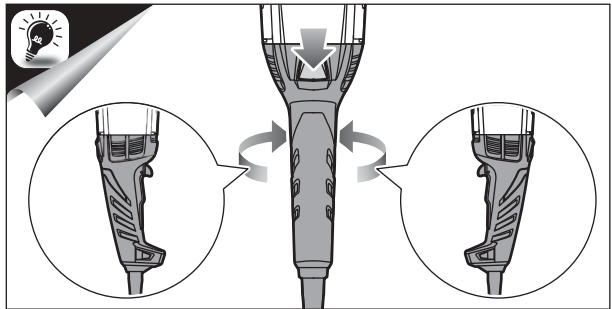
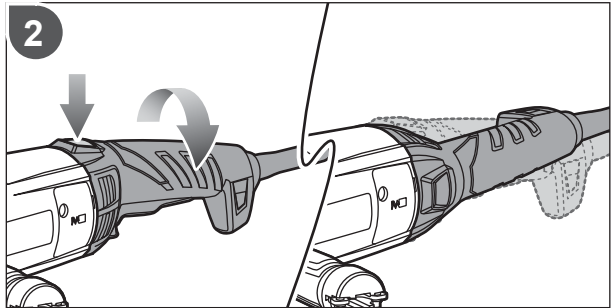
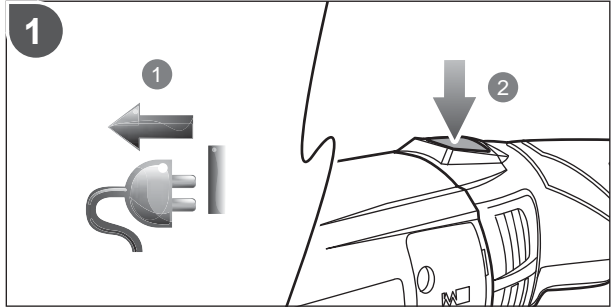
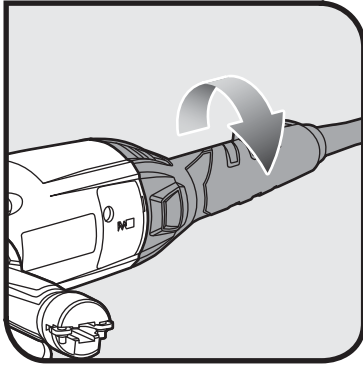
4

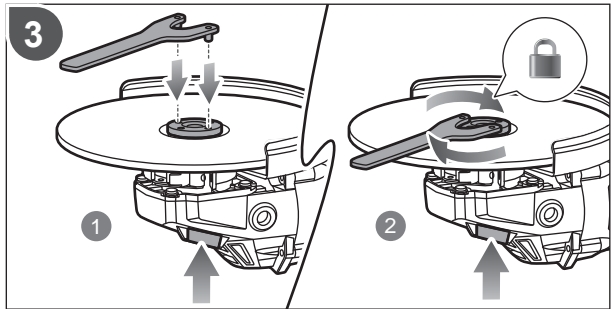
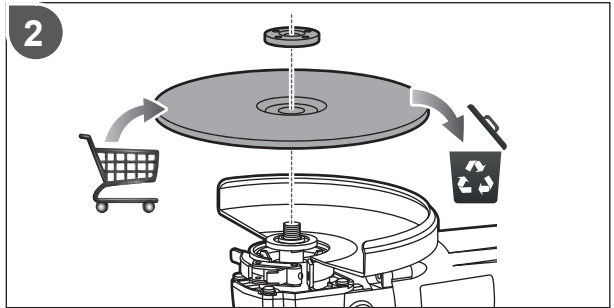
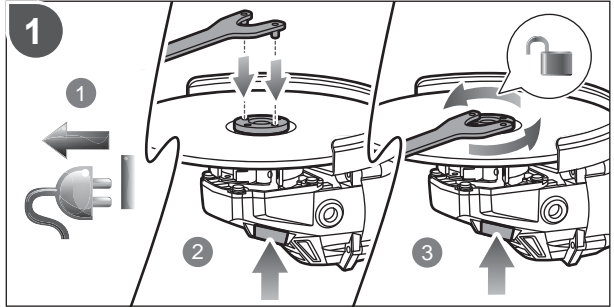
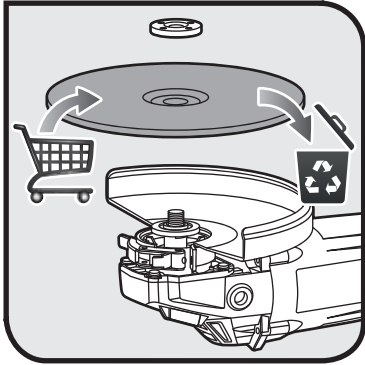


7











English	Français	Deutsch	Español	Italiano	Nederlands	Português
Product specifications	Caractéristiques de l'appareil	Produkt-Spezifikationen	Especificaciones del producto	Specifiche prodotto	Productspecificaties	Especificações do produto
Grinding wheel:	Meule à ébarber:	Schleifscheibe:	Disco para desbarbar:	Mola per sbavatura:	Afbraamschijf:	Disco de rebarbar:
Diameter	Diamètre	Durchmesser	Diámetro	Diametro	Diameter	Diâmetro
Thickness	Epaisseur	Dicke	Grosor	Spessore	Dikte	Espessura
Rated voltage	Tension nominale	Nennspannung	Tensión nominal	Voltaggio	Toegekende spanning	Tensão nominal
Rated capacity	Capacité nominale	Nennkapazität	Capacidad nominal	Diametro della mola	Gemeten capaciteit	Capacidade nominal
Input	Alimentation	Eingangsleistung	Tensión nominal	Alimentazione	Input	Admissão
Spindle thread	Filetage de l'arbre	Gewinde der Welle	Roscado del árbol	Filettatura dell'albero	Schroefdraad van as	Rosca do eixo
Rated speed	Vitesse nominale	Nennrehzahl	Velocidad nominal	Velocità nominale	Nominaal toerental	Velocidade Nominal
Net weight	Poids net	Nettogewicht	Peso neto	Peso netto	Netto gewicht	Peso líquido
Measured sound values determined according to EN 60745:	Valeurs du son mesuré déterminées selon EN 60745:	Gemäß EN 60745: gemessene Schallwerte	Valores medidos del sonido en función de la norma EN 60745:	Valori del suono misurati determinati secondo lo standard EN 60745:	Gemeten geluidswaarden bepaald in overeenstemming met EN 60745:	Valores medidos do som em função da norma EN 60745:
A-weighted sound pressure level	Niveau de pression sonore pondéré-A	A-bewerteter Schalldruckpegel	Nivel de presión acústica ponderada en A	Livello di pressione sonora pesato A	A-gewogen geluidsdrukniveau	Nível de pressão sonora ponderada A
Uncertainty K	Incertitude K	Unsicherheit K	Incetidumbre K	Incerteza K	Onzekerheid K	Incerteza K
A-weighted sound power level	Niveau de puissance sonore pondéré-A	A-bewerteter Schalleistungspegel	Nivel de potencia acústica ponderada en A	Livello di potenza sonora pesato A	A-gewogen geluidsniveau	Nível de potência sonora ponderada A
Uncertainty K	Incertitude K	Unsicherheit K	Incetidumbre K	Incerteza K	Onzekerheid K	Incerteza K
Wear ear protectors.	Portez une protection acoustique.	Tragen Sie Gehörschutz.	Utilice protección auditiva!	Indossare protezioni acustiche adeguate.	Draag oorbeschermers.	Sempre use a protecção dos ouvidos.
The vibration total values (triaxial vector sum) determined according to EN 60745:	La valeur totale des vibrations (somme vectorielle triaxiale) déterminée selon EN60745:	Die Vibrationsgesamtwerte (triaxiale Vektorsumme) ermittelt nach EN60745:	Los valores de vibración total (suma de vectores triax.), determinado según la norma EN60745:	I valori totali delle vibrazioni (somma di vettori in tre direzioni) sono misurati conformemente alla norma EN60745:	De totale trillingswaarden (triaxiale vektorosom) vastgesteld in overeenstemming met EN60745:	Os valores totais de vibração (soma do vector triax) são determinados em conformidade com a:
Vibration emission value	Valeur d'émission de vibrations	Vibrationsemissionswert	Valor de emisión de vibraciones	Valore delle emissioni vibrazioni	Trillingsemissiewaarde	Valor de emissão de vibrações
Surface grinding	Meulage en surface	Flachscheifen	Tratamiento de superficies	Superficie di molatura	Vlakslijpen	Tratamento de superficies
Uncertainty K	Incertitude K	Unsicherheit K	Incetidumbre K	Incerteza K	Onzekerheid K	Incerteza K



Dansk	Svenska	Suomi	Norsk	Русский	
Produktspecifikationer	Produktspecifikationer	Tuotteen tekniset tiedot	Produktspesifikasjoner	Характеристики изделия	EAG2000RS
Slibeskive:	Slipskiva:	Tasotushiomalaikka:	Slipeskive:	Шлифовальный круг:	
Diameter	Diameter	Halkaisija	Diameter	Диаметр	230 mm (9 in)
Tykkelse	Tjocklek	Paksuus	Tykkelse	Толщина	6 mm
Nominel Spænding	Spänning	Nimellisjännite	Nominell spenning	Номинальное напряжение	220 V - 240 V \sphericalangle 50/60 Hz
Nominel kapacitet	kapacitet	Nimelliskapasiteetti	Nominell kapasitet	Номинальная мощность	230 mm (9 in)
Strømforsyning	Matningsspänning	Virrankulutus	Input	Питание	2000 W
Akselgevind	Axelgångning	Akselin kierteitys	Spindelgjenge	Резьба шпинделя	M 14
Mærkehastighed	Hastighet	Nimellisnopeus	Nominell hastighet	Номинальная скорость	6,600 min ⁻¹
Nettovægt	Nettovikt	Kokonaispaino	Nettovekt	Вес нетто	6,0 kg
Målte lydverdier bestemt iht. EN 60745:	Uppmåttade ljudvärden enligt EN 60745:	Mitatut arvot määritetty EN 60745: standardin mukaan:	Målte lydverdier bestemt iht. EN 60745:	Измеренные значения параметров звука определены в соответствии с EN 60745:	
A-vægtet lydtryksniveau	A-vägd ljudtrycksnivå	A-painotettu äänenpainetaso	A-vektet lydtryknivå	Уровень А-взвешенного звукового давления	$L_{pA} = 93,0 \text{ dB(A)}$
Usikkerhed K	Osäkerhet K	Epätarkkuus K	Usikkerhet K	Разброс K	3 dB
A-vægtet lydeffektniveau	A-vägd ljudeffektsnivå	A-painotettu äänenteho	A-vektet lydeffektnivå	Уровень А-взвешенной звуковой мощности	$L_{WA} = 104,0 \text{ dB(A)}$
Usikkerhed K	Osäkerhet K	Epätarkkuus K	Usikkerhet K	Разброс K	3 dB
Bær høreværn.	Bär hörselskydd.	Käytä korvasuojia.	Bruk hørselsvern.	Используйте наушники!	
Totale vibrationsverdier (triax vector sum) afgøres ifølge EN60745:	Det totala vibrationsvärdet (treaxelvektorsumma) är framtaget enligt EN60745:	Tärinän kokonaisarvot (kolmiakselinen vektorisumma) määritettyä standardin EN60745 mukaisesti:	De totale vibrasjonsverdiene (triax vektor-sum) er fastsatt i henhold til EN60745:	суммарное значение вибрации (векторная сумма по трем координатам) определено в соответствии со стандартом EN60745:	
Vibrationsemissionsværdi	Vibrationsvärde	Tärinäarvo	Verdier for vibrasjonsutslipp	Значение вибрации	
Overfladeslibning	Ytslipning	Pinnan hionta	Overflatesliping	Плоское шлифование	$a_{h,AG} = 8,4 \text{ m/s}^2$
Usikkerhed K	Osäkerhet K	Epätarkkuus K	Usikkerhet K	Разброс K	1,5 m/s ²



Polski	Čeština	Magyar	Română	Latviski	Lietuviškai	Eesti
Parametry techniczne	Technické údaje produktu	Termék műszaki adatai	Specificațiile produsului	Produkta specifikācijas	Gaminio techninės savybės	Toote tehnilised andmed
Tarcza zdzierająca (ściernica):	Brusný kotouč:	Csiszolókorong (tárcsa):	Disc de polizare:	Slīpripa:	Šlifavimo diskas:	Lihvetas:
Średnica	Průměr	Átmérő	Diametru	Diametrs	Skersmuo	Läbimõõt
Grubość	Tloušťka	Vastagság	Grosime	Biezums	Storumas	Paksus
Napięcie znamionowe	Nápietie znamionové	Névleges feszültség	Tensiunea nominală	Nominālais spriegums	Nominali įtampa	Nimipinge
Moc znamionowa	Jmenovitá kapacita	Névleges kapacitás	Capacitate nominală	Nominālā jauda	Vardinė galia	Nimootulus
Zasilanie	Vstup	Bemenet	Intrare	Ieeja	Ivestis	Vooluvõrk
Gwint wrzeciona	Závít na vřetenu	Tengely csavarmenet	Filetul axului motor	Vārpstas vītne	Veleno sriegis	Spindli keere
Prędkość znamionowa	Jmenovitá rychlost	Névleges fordulatszám	Turație/viteză nominală	Nominālais ātrums	Nominalus greitis	Nimikiirus
Masa netto	Čistá hmotnost	Nettó tömeg	Greutate netă	Svars neto	Neto svoris	Netomass
Zmierzone wartości akustyczne zgodnie z normą EN 60745:	Naměřené hodnoty hluku zjištěné dle EN 60745:	A hang értékek meghatározása az EN 60745: szerint történt:	Valori de sunet măsurate determinate în conformitate cu EN 60745:	Izmērītās skaņas vērtības ir noteiktas saskaņā ar EN 60745:	Išmatuotos garso vertės nustatytos pagal EN 60745:	Mõõteväärtused on kindlaks määratud vastavalt standardile EN 60745:
A-wažony poziom ciśnienia hałasu	Hladina akustického tlaku vážená funkcí A	A-súlyozott hangnyomásszint	Nivel de presiune acustică ponderată A	A-līmeņa skaņas spiediena līmenis	A svertinis garso slėgio lygis	A-kaalutud helirõhu tase
Niepowność pomiaru K	Nejistota K	Bizonytalanság K	Incertitudine K	Kļūdas vērtība K	Nepastovumas K	Mõõtemääramatus K
A-wažony poziom výkonu vážená funkció A	Hladina akustického výkonu vážená funkció A	A-súlyozott hangteljesítményszint	Nivel de putere acustică ponderată A	A-līmeņa skaņas jaudas līmenis	A svertinis garso galios lygis	A-kaalutud helivõimsuse tase
Niepowność pomiaru K	Nejistota K	Bizonytalanság K	Incertitudine K	Kļūdas vērtība K	Nepastovumas K	Mõõtemääramatus K
Stosować środki ochrony słuchu!	Používejte chrániče sluchu.	Viseljen hallásvédőt.	Purtați aparatoare de urechi.	Lietojiet dzirdes aizsargus.	Naudokite ausų apsaugos priemonės.	Kasutage kuulmiskaitsevahendeid.
Wartości sumaryczne drgań (suma wektorowa przyspieszeń mierzona czujnikami typu triax) określone zgodnie z normą EN60745:	Celkové hodnoty vibrací (třiosy vektorový součet) určené v souladu s EN60745:	Vibráció teljes értékei (háromtengelyű vektorösszeg), az EN 60745 szerint meghatározva:	Valorie totale ale vibrațiilor (suma vectorială a trei direcții) au fost determinate conform EN60745:	Vibrāciju kopējās vērtības (trīsasu vektoru summa) tiek noteiktas atbilstoši EN60745:	Bendros vibracijos vertės (trikampio vektorių suma) nustatomos pagal EN60745:	Vibratsiooni koguväärtused (kolme suuna vektorsumma) on vastavalt standardile EN 60745 määratud järgmiselt:
Poziom drgań	Úroveň emisí vibrací	Vibráció-kibocsátás értéke	Valoarea emisiilor de vibrații	Vibrāciju emisijas vērtība	Vibracijos emisijos vertė	Vibratsiooniemiisiooni väärtus
Szlifowanie powierzchniowe	Broušení povrchu	Felület csiszolása	Șlefuire la suprafață	Virsmas slīpēšana	Paviršiaus šlifavimas	Pinna lihvimine
Niepowność pomiaru K	Nejistota K	Bizonytalanság K	Incertitudine K	Kļūdas vērtība K	Nepastovumas K	Mõõtemääramatus K





Hrvatski	Slovensko	Slovenčina	Ελληνικά	Türkçe	
Specifikacije proizvoda	Specifikacije izdelka	Špecifikácie produktu	Προδιαγραφές Προϊόντος	Ürün Özellikleri	EAG2000RS
Brus:	Brusni kolot:	Brúsny kotúč:	Δίσκος ξακρίσματος:	Temizleme taşı:	
Promjer	Premjer	Premjer	Διάμετρος	Çap	230 mm (9 in)
Debljina	Debelina	Hrúbka	Πάχος	Kalınlık	6 mm
Nazivni napon	Nazivna moč	Menovité napätie	ΟΝΟΜΑΣΤΙΚΗ ΤΑΣΗ	Voltaj	220 V - 240 V ~ 50/60 Hz
Nazivni kapacitet	Maksimalni premer brusne plošče	Menovitá kapacita	ΟΝΟΜΑΣΤΙΚΗ ΧΩΡΗΤΙΚΟΤΗΤΑ	Kapasite	230 mm (9 in)
Ulaz	Vhod	Vstup	Είσοδος ρεύματος	Giriş	2000 W
Navoj osovine	Navoj vretena	Závit vretena	Σπείρωμα του άξονα	Mil dişleri	M 14
Nazivna brzina	Nazivna hitrost	Menovitá rýchlosť	Βαθμονομημένη ταχύτητα	Nominal hız	6,600 min ⁻¹
Neto težina	Neto teža	Netto hmotnosť	Καθαρό βάρος	Net ağırlık	6,0 kg
Mjerena vrijednost zvuka određena je prema EN 60745:	Izmerjene zvočne vrednosti določene v skladu s standardom EN 60745:	Namerané hodnoty určené podľa EN 60745:	Μετρημένες τιμές ήχου σύμφωνα με το EN 60745:	EN 60745: e göre hesaplanmış ses değerleri:	
Ponderirana razina tlaka zvuka	A-izmerjena raven zvočnega tlaka	Vážená A hladina akustického tlaku	A-σταθμισμένο επίπεδο πίεσης ήχου	A ağırlıklı ses basınç seviyesi	$L_{pA} = 93,0 \text{ dB(A)}$
Neodređenost K	Nedoloč. K	Odhýlka K	Αβεβαιότητα K	Belirsizlik K	3 dB
Ponderirana razina zvučne snage	A-izmerjena raven zvočne moči	Vážená A hladina akustického výkonu	A-σταθμισμένο επίπεδο έντασης ήχου	A ağırlıklı ses gücü seviyesi	$L_{WA} = 104,0 \text{ dB(A)}$
Neodređenost K	Nedoloč. K	Odhýlka K	Αβεβαιότητα K	Belirsizlik K	3 dB
Nosite štitnike za uši.	Nosite ščitnike za ušesa.	Používajte chrániče sluchu.	Φοράτε ωτοασπίδες.	Kulak koruyucu kullanın.	
Ponderirana energetska vrijednost Ukupne vrijednosti vibracija (troosni vektorski zbir) određuju se u skladu s EN60745:	Skupna vrednost vibracij (vektorska vsota treh smeri) določena v skladu z EN60745:	Celkové hodnoty vibrácií (súhnn triaxiálneho vektora) určuje norma EN60745:	Συνολικές αξίες κραδασμών (τριοξονικό διανυσματικό άθροισμα) σύμφωνα με EN60745:	EN 60745 normuna uygun olarak belirlenmiş titreşim toplam değerleri (triaks vektör toplamları):	
Vrijednost emisija vibracije	Vrednost emisij vibracij	Hodnota emisii vibrácií	Τιμή εκπομπών κραδασμών	Titreşim emisyon değeri	
Površina brušenja	Površinsko brušenje	Plošné brúsenie	Λείανση επιφανειών	Yüzey taşlama	$a_{h,AG} = 8,4 \text{ m/s}^2$
neodređenost K	Nedoloč. K	Odhýlka K	Αβεβαιότητα K	Belirsizlik K	1,5 m/s ²





EN WARNING

The vibration emission level given in this information sheet has been measured in accordance with a standardised test given in EN 60745 and may be used to compare one tool with another. It may be used for a preliminary assessment of exposure. The declared vibration emission level represents the main applications of the tool. However if the tool is used for different applications, with different accessories or poorly maintained, the vibration emission may differ. This may significantly increase the exposure level over the total working period.

An estimation of the level of exposure to vibration should also take into account the times when the tool is switched off or when it is running but not actually doing the job. This may significantly reduce the exposure level over the total working period. Identify additional safety measures to protect the operator from the effects of vibration such as: maintain the tool and the accessories, keep the hands warm, organisation of work patterns.

FR AVERTISSEMENT

Le niveau d'émission des vibrations indiqué dans cette feuille d'information a été mesuré en concordance avec un test normalisé fourni par EN60745 et peut être utilisé pour comparer un outil à un autre. Il peut être utilisé pour une évaluation préliminaire de l'exposition. Le niveau déclaré d'émission des vibrations s'applique à l'utilisation principale de l'outil. Toutefois, si l'outil est utilisé pour des applications différentes, avec des accessoires différents, ou mal entretenu, l'émission de vibrations peut être différente. Le niveau d'exposition peut en être augmenté de façon significative tout au long de la période de travail.

Une estimation du niveau d'exposition aux vibrations doit aussi prendre en compte les périodes où l'outil est arrêté ainsi que les périodes où il fonctionne sans vraiment travailler. Le niveau d'exposition pendant la durée totale du travail peut en être réduit de façon significative. Prenez en considération les mesures additionnelles de sécurité à prendre pour protéger l'opérateur des effets des vibrations telles que: maintien de l'outil et de ses accessoires, maintien des mains au chaud, organisation du travail.

DE WARNUNG

Der in diesem Informationsblatt genannte Schwingungspegel wurde entsprechend dem standardisierten Test von EN60745 gemessen und kann benutzt werden um das Werkzeug mit anderen zu vergleichen. Er kann benutzt werden, um eine vorausgehende Einschätzung der Exposition durchzuführen. Der genannte Schwingungspegel repräsentiert den Haupteinsatzbereich des Werkzeugs. Jedoch kann das Werkzeug für verschiedene Einsatzbereiche benutzt werden. Mit unterschiedlichen Zusatzgeräten oder bei schlechter Wartung kann der Schwingungspegel unterschiedlich sein. Dadurch kann die Expositionshöhe über die gesamte Arbeitszeit signifikant erhöht werden.

Eine Einschätzung der Exposition zu Schwingungen sollte auch die Zeiten wenn das Werkzeug ausgeschaltet ist, oder wenn es angeschaltet aber nicht in Betrieb ist, in Betracht ziehen. Dadurch kann die Expositionshöhe über die gesamte Arbeitszeit signifikant reduziert werden. Identifizieren Sie zusätzliche Sicherheitsmaßnahmen um die Bedienungsperson vor den Effekten der Schwingungen zu schützen, wie zum Beispiel: Das Werkzeug und Zusatzgeräte warten, Hände warmhalten und Organisation der Arbeitszeiten.

ES ADVERTENCIA

El nivel de emisión de las vibraciones que figura en esta hoja de información se ha medido según una prueba estandarizada que figura en EN60745 y puede ser utilizado para comparar una herramienta con otra. Puede ser utilizado para una evaluación preliminar de la exposición. El nivel de emisión de las vibraciones declarado representa las principales aplicaciones de la herramienta. No obstante, si la herramienta se utiliza para diferentes aplicaciones, con diferentes accesorios o no recibe el mantenimiento adecuado, la emisión de las vibraciones puede ser diferente. Esto puede aumentar significativamente el nivel de exposición durante el período de trabajo total.

Una estimación del nivel de exposición a la vibración también debe tener en cuenta el tiempo en el que la herramienta está desconectada o cuando está conectada pero no está realizando ningún trabajo. Esto puede reducir significativamente el nivel de exposición durante el período de trabajo total. Identificar las medidas de seguridad adicionales para proteger al operador de los efectos de las vibraciones, tales como: mantenimiento de la herramienta y de los accesorios, y la organización de los patrones de trabajo.

IT AVVERTENZE

Il livello di vibrazioni indicato in questo foglio informativo è stato misurato seguendo un test svolto secondo i requisiti indicati dallo standard EN60745 e potrà essere utilizzato per paragonare un utensile con un altro. Potrà essere utilizzato per una valutazione preliminare dell'esposizione a vibrazioni. Il livello dichiarato di emissioni di vibrazioni viene indicato tenendo conto delle applicazioni principali dell'utensile. Comunque se l'utensile viene utilizzato per applicazioni diverse con accessori diversi o non viene correttamente conservato, il livello delle vibrazioni potrà variare. Ciò potrà significativamente aumentare il livello di esposizione alle vibrazioni durante il periodo di lavoro totale.

Una valutazione del livello di esposizione alle vibrazioni dovrà inoltre prendere in considerazione i tempi in cui l'utensile viene spento o è acceso ma non viene utilizzato. Ciò potrà significativamente ridurre il livello di esposizione in un periodo totale di funzionamento. Ulteriori misure di sicurezza per proteggere l'operatore dagli effetti delle vibrazioni come: conservare correttamente l'utensile e i suoi accessori, tenere le mani calde e organizzare i tempi di lavoro.

NL WAARSCHUWING

Het trillingsemissieniveau dat op dit informatieblad wordt gegeven, is gemeten in overeenstemming met een gestandaardiseerde test, vastgelegd in EN60745 en mag worden gebruikt om machines met elkaar te vergelijken. Het verklaarde trillingsemissieniveau geeft de hoofdtoepassing van het gereedschap weer. Als de machine echter voor andere toepassingen of met andere accessoires wordt gebruikt of slecht wordt onderhouden, kan de trillingsemissie verschillen. Dit kan de blootstelling gedurende de gehele werkduur aanzienlijk verhogen.

Bij een schatting van het niveau van blootstelling aan trillingen moet ook rekening worden gehouden met het aantal keren dat de machine wordt uitgeschakeld of draait, maar niet wordt gebruikt. Dit kan het niveau van blootstelling gedurende de gehele werkduur aanzienlijk verlagen. Stel bijkomende veiligheidsmaatregelen op om de gebruiker tegen de gevolgen van trillingen te beschermen: zoals onderhoud het gereedschap en de accessoires, houd de handen warm, de organisatie van werkpatronen.

PT AVISO

O nível de emissão de vibrações fornecido nesta folha de informações foi medido em conformidade com o teste uniformizado descrito em EN60745 e pode ser usado para comparar uma ferramenta com outra. Este pode ser usado para uma avaliação preliminar da exposição. O nível de emissão de vibração declarado refere-se à aplicação principal da ferramenta. Contudo, se a ferramenta for usada para aplicações diferentes, com acessórios diferentes ou não for devidamente mantida, a emissão de vibrações pode diferir. Isto pode fazer aumentar significativamente o nível de exposição ao longo do período de trabalho total.

Uma estimativa do nível de exposição às vibrações deve ter, também, em consideração o tempo durante o qual a ferramenta está desligada ou em que está ligada mas não está a realizar qualquer trabalho. Isto pode reduzir significativamente o nível de exposição durante o período total de trabalho. Identifique medidas adicionais de segurança que protejam o operário dos efeitos da vibração como a manutenção da ferramenta e dos acessórios, a manutenção das mãos quentes e a organização de padrões de trabalho.

DA ADVARSEL

Det angivne niveau for vibrationsemission på denne oplysningsside er blevet målt iht. en standardtest ifølge EN60745 og kan bruges til at sammenligne værktøjer indbyrdes. Det kan bruges til en foreløbig eksponeringsvurdering. Det opgivne niveau for vibrationsemission gælder, når værktøjet bruges til sit hovedformål. Men hvis værktøjet bruges til andre formål, med forskelligt eller med dårligt vedligeholdelse ekstraudstyr, kan vibrationsemissionen variere. Dette kan medføre en betragtelig stigning i eksponeringsniveauet set over hele arbejdsperioden.

Et skøn over niveauet for vibrationseksponering bør også tage højde for de perioder, hvor værktøjet er slukket, eller hvor det er tændt uden faktisk at være i brug. Dette kan medføre en betragtelig reduktion i eksponeringsniveauet set over hele arbejdsperioden. Træk ekstra sikkerhedsforanstaltninger til beskyttelse af operatøren mod virkningerne fra vibrationen som fx: vedligeholdelse værktøj og ekstraudstyr, holde hænderne varme, organisere arbejdsmonstre.





SV VARNING

Vibrationsnivåerna som uppges i det här dokumentet har uppmäts i enlighet med ett standardiserat test som beskrivs i EN60745 och som kan användas för att jämföra verktyg. Det kan användas som en preliminär bedömning av den vibration som användaren utsätts för. De deklarerade vibrationsvärdena motsvarar de som uppstår när verktyget används i sitt huvudsyfte. Om verktyget används i andra syften, med andra tillbehör eller om verktyget är dåligt underhållet kan vibrationsnivåerna vara annorlunda. Det kan kraftigt öka vibrationsnivåerna över den totala arbetsperioden.

En uppskattning av vibrationsnivåerna som användaren utsätts för ska också ta hänsyn till de stunder då verktyget är avstängt och när det går på tomgång. Detta kan kraftigt minska vibrationsnivåerna över den totala arbetsperioden. Andra säkerhetsåtgärder som kan skydda användaren från effekterna av vibrationer är: underhållning av verktyget och tillbehören, hålla händerna varma och organisera arbetsstället.

FI VAROITUS

Tämän tiedotteen tärnätaso on mitattu EN60745-standardien mukaisilla testeillä, ja niitä voidaan käyttää verrattaessa laitetta toiseen. Sitä voidaan käyttää arvioitaessa tärnävaikutusta. Ilmoitettu tärnätaso vastaa laitteen pääasiallista käyttötarkoitusta. Jos laitetta kuitenkin käytetään muuhun tarkoitukseen, muilla lisälaitteilla tai huonosti huollettuna, tärnätaso saattaa poiketa ilmoitetusta arvosta. Tämä voi kasvattaa kokonaisaltistumista huomattavasti koko työjakson kuluessa.

Tärnän altistumistasoa arvioitaessa tulee huomioida ajat, jolloin laite on sammutettu tai kun se on käynnissä, mutta sitä ei käytetä varsinaiseen työskentelyyn. Tämä voi vähentää kokonaisaltistumista huomattavasti koko työjakson kuluessa. Käytä muitakin suojakeinoja turvatakseesi käyttäjän tärnävaikutukselta, kuten: huolla laite ja lisälaitteet, pidä kätesi lämpiminä, organisoi työnykulku.

NO ADVARSEL

Vibrasjonsnivået som oppgis på dette informasjonsarket er målt i henhold til en standardisert test gitt i EN60745 og kan brukes til å sammenligne ett verktøy med et annet. Det kan brukes til en foreløpig vurdering av eksponering. Det erklærte vibrasjonsnivået representerer hovedanvendelsen for verktøyet. Dersom verktøyet brukes for andre anvendelser, med forskjellig tilbehør eller med dårlig vedlikehold, vil vibrasjonsnivået kunne være annerledes. Det kan gi en betydelig økning av eksponeringsnivået over den totale arbeidsperioden.

En beregning av nivået for eksponering til vibrasjoner må også ta hensyn til den tiden verktøyet er slått av eller er i gang men ikke i faktisk bruk for å utføre den tiltenkte oppgaven. Dette kan gi en betydelig økning av eksponeringsnivået over den totale arbeidsperioden. Identifiser ytterligere sikkerhetstiltak for å beskytte den som bruker verktøyet fra virkningen av vibrasjoner, tiltak som: Vedlikehold verktøyet og tilbehøret, hold hendene varme, organiser arbeidsmetodene.

RU ОСТОРОЖНО

Уровень вибрации, приведенный в данном справочном листе, измерен согласно стандартизованным испытаниям, определенным в EN60745 и может использоваться для сравнения различных инструментов. Значение уровня может использоваться для предварительной оценки влияния вибрации. Заявленный уровень вибрации действителен для основного применения инструмента. Однако, если инструмент используется для других целей, с другими приспособлениями, или плохо обслуживается, уровень вибрации может отличаться от указанного. Это может значительно увеличить величину воздействия за общее время работы.

При оценке уровня воздействия вибрации следует также принять во внимание время простоя и холостой ход (когда инструмент выключен и когда включен, но работа не производится). Эти факторы могут значительно уменьшить величину воздействия вибрации за общее время работы. Определите дополнительные меры безопасности, защищающие работающего от влияния вибрации: техническое обслуживание инструмента и принадлежностей, недопущение охлаждения рук, соответствующие приемы и распорядок работы.

PL OSTRZEŻENIE

Deklarowany poziom drgań został zmierzony za pomocą standardowej metody pomiaru określonej normą EN60745 i jego wyniki mogą służyć do porównywania tego urządzenia z innymi. Deklarowana wartość drgań może służyć do wstępnej oceny narażenia operatora na drgania. Deklarowany poziom drgań dotyczy podstawowych zastosowań urządzenia. Jednak w przypadku użycia urządzenia do innych zastosowań, z innymi przystawkami lub w przypadku niewłaściwego stanu technicznego urządzenia poziom drgań może odbiegać od deklarowanego. Może być to przyczyną zwiększenia stopnia narażenia operatora na drgania w całym okresie wykonywania pracy.

Podczas oceny narażenia na drgania należy również uwzględnić czas wyłączenia urządzenia oraz czas, w którym urządzenie jest włączone, jednak praca nie jest wykonywana. Czasy te mogą znacznie zmniejszyć stopień narażenia operatora na drgania w całym okresie wykonywania pracy. Należy określić dodatkowe środki ochrony operatora przed skutkami drgań, przykładowo: dbać o stan techniczny urządzenia i przystawek, i dbać o zachowanie ciepłoty dłoni, odpowiednio zorganizować harmonogram wykonywania prac.

CS VAROVÁNÍ

Hodnota vibračních emisí uvedená v tomto informačním listu byla naměřena standardizovaným testem podle EN60745 a ji použít k porovnání s hodnotami jiných nástrojů. Může se používat k předběžnému odhadu vystavování vibračím. Uznávaná hodnota vibračních emisí reprezentuje hlavní použití nástroje. Nicméně pokud se nástroj používá pro jiné použití, s různými doplňky nebo se nedostatečně neudržuje, mohou se vibrační emise lišit. Toto může výrazně zvýšit úroveň vystavení nad celkové pracovní období.

Odhad úrovně vystavení vibračím by měl vzít taktéž v potaz časy, kdy je chvění vypnuto, nebo když přístroj běží, ale nevykonává práci. Toto může výrazně snížit úroveň vystavení nad celkové pracovní období. Určete doplňující bezpečnostní opatření pro ochranu obsluhy před různými vibracemi, například: Udržujte nástroj a doplňky, udržujte ruce v teple, organizujte pracovní schéma.

HU FIGYELMEZTETÉS

A vibráció-kibocsátás adatai alapján megadott értéke az EN60745 által meghatározott szabványosított mérési eljárás szerint lett megmértve, amely lehetővé teszi a különböző szerszámok összehasonlítását. Használható a kitettség előzetes felmérésére is. A nyilatkozatban szereplő kibocsátási érték a szerszám főbb alkalmazási területeire vonatkozik. Ugyanakkor, ha a szerszámot más alkalmazásokra, más kiegészítőkkal használják vagy rosszul tartják karban, a vibráció-kibocsátás értéke ettől eltérő is lehet. Ez jelentősen növelheti a kitettség szintjét a gép teljes használati időtartama során.

A vibrációnak való kitettség szintjének becslésekor figyelembe kell venni azokat az időintervallumokat is, amikor a szerszám ki van kapcsolva, vagy működik, de nem végeznek munkát vele. Ez jelentősen csökkentheti a kitettség szintjét a gép teljes használati időtartama során. Tegyén további óvintézkedéseket a kezelő vibrációval szembeni megvédése érdekében: tartsa karban a szerszámot és a tartozékokat, tartsa meleg a kezét, tervezzé meg a munkafolyamatot.

RO AVERTISMENT

Nivelul emisiilor de vibrații prezentat în cadrul acestei fișe cu informații a fost măsurat în conformitate cu un test standardizat furnizat în EN60745 și poate fi folosit la a compara o unealtă cu o alta. Poate fi folosit la a evalua preliminară a expunerii. Nivelul declarat al emisiilor de vibrații reprezintă aplicațiile principale ale uneltei. Cu toate acestea, în cazul în care unealta este utilizată pentru aplicații diferite, cu accesorii diferite sau întreținute necorespunzător, emisiile de vibrații pot diferi. Acestea pot crește semnificativ nivelul de expunere pe întreaga perioadă de lucru.

O estimare a nivelului de expunere la vibrații trebuie, de asemenea, să țină cont de datele în care unealta este oprită sau de datele în care unealta funcționează fără a efectua propriu-zis sarcina de lucru. Acestea pot reduce semnificativ nivelul de expunere pe întreaga perioadă de lucru. Identificați măsuri de siguranță suplimentare pentru a proteja operatorul de efectele vibrațiilor, precum: întreținerea uneltei și a accesoriilor, păstrarea mâinilor calde, organizarea de modele de lucru.





LV BRĪDINĀJUMS

Šajā datu lapā dotā vibrāciju emisijas vērtība ir mērīta saskaņā ar standartizēto testu, kas dots EN60745 un kuru var izmantot, lai salīdzinātu vienu instrumentu ar citu. To var izmantot aptuvenam ekspozīcijas novērtējumam. Deklarētais vibrāciju emisijas līmenis atbilst galvenajiem instrumenta pielietojumiem. Tomēr, ja instrumentu lieto citiem pielietojumiem, ar citiem piederumiem vai tas tiek slēgti apkopts, vibrāciju emisijas vērtība var atšķīrties. Tas var ievērojami palielināt ekspozīcijas līmeni visā darba periodā.

Vibrāciju ekspozīcijas līmeņa novērtējumam jāņem vērā laiks, kad instruments ir izslēgts vai ir ieslēgts, bet neveic nekādu darbu. Tas var ievērojami samazināt ekspozīcijas līmeni visā darba periodā. Identificējiet papildu drošības pasākumus, lai aizsargātu operatoru no vibrāciju iedarbības, piemēram, veiciet instrumenta un piederumu apkopi, turiet rokas siltas un pielāgojiet darba grafiku.

LT ĮSPĖJIMAS

Šīme lapē nurodytas vibracijos emisijos lygis buvo išmatuotas pagal standartinį testą, aprašytą EN60745, ir gali būti naudojamas vieno įrankio su kitu palyginimui. Jis gali būti naudojamas preliminariam pavojaus vertinimui. Deklaruotas vibracijos emisijos lygis priksiriamas pagrindinėms įrankio taikymo situoms. Tačiau, jei įrankis naudojamas kitiems tikslams, su kitokiais priedais ar įrankis prastai prižiūrimas, vibracijos emisija gali skirtis. Per visą darbo laikotarpį tai gali žymiai padidinti vibracijos keliamą pavojų.

Nustatant vibracijos keliamą pavojų taip pat būtina atsižvelgti į tai, kiek kartų įrankis yra išjungtas ar kai jis veikia, bet juo iš tikrųjų nedirbama. Per visą darbo laikotarpį tai gali žymiai sumažinti vibracijos keliamą pavojų. Naudokite papildomas apsaugos priemonės dirbančiam asmeniui apsaugoti nuo vibracijos poveikio, pvz.: prižiūrėti įrankį ir jo priedus, rankas laikyti šiltai, organizuoti darbo sesijas.

ET HOIATUS

Sellel infolehel esitatud vibratsioonitaseme väärtus on mõõdetud standardis EN60745 kirjeldatud katsemeetodiga ja seda võib kasutada tööriistade omavaheliseks võrdlemiseks. Seda võib kasutada vibratsioonimõju eelhindamiseks. Deklareeritud vibratsioonitaseme väärtus kehtib tööriista tavakasutamisel. Kui aga kasutate tööriista muudeks kasutusotstarveteks, eriotstarbeliste tarvikutega või kui tööriist on puudulikult hooldatud, siis võib vibratsiooniväärtus erineda. Sellistel juhtudel võib tööperioodi summaarne vibratsioonitaseme suurenda märgatavalt.

Vibratsiooniväärtuse taset tuleb arvesse võtta ka sel ajal, kui tööriist on välja lülitatud või kui tööriist tööle, kuid ei tee tööoperatsiooni. Sellistel juhtudel võib tööperioodi ajal summaarne vibratsioonitaseme väheneda märgatavalt. Määrake kindlaks täiendavad ohutusmeetmed, et kaitsa operaatorit vibratsioonimõjude eest – tööriistade ja tarvikute hooldamine, kätte soojas hoidmine ja töövahetuste organiseerimine.

HR UPOZORENJE

Razina vrijednosti vibracija data u ovoj tablici s informacijama mjerenja je sukladno normiranom testu pruženom u EN60745 i može se koristiti za usporedbu jednog alata s drugim. Može se koristiti u početnom usklađivanju izloženosti. Objavljena razina vrijednosti vibracija predstavlja glavnu primjenu alata. Međutim, ako se alat koristi za druge primjene, s različitim dodatnim priborom ili je slabo održavan, vrijednost vibracija može se razlikovati. Ovo može značajno povećati razinu izloženosti tijekom ukupnog radnog razdoblja.

U procjeni razine izloženosti na vibraciju također treba uzeti u obzir vrijeme kada je alat isključen ili kada je pokrenut no ne i stvarno vrijeme rada. Ovo može značajno smanjiti razinu izloženosti tijekom ukupnog radnog razdoblja. Odredite dodatne sigurnosne mjere za zaštitu operatera od učinaka vibracije poput: održavanje alata i pribora, održavanje toplih ruku, organizacija obrazaca za rad.

SL OPOZORILO

Nivo emisij vibracij, naveden v tem informacijskem listu, je bil izmerjen v skladu s standardiziranim testom, ki je podan v EN60745, podatek pa se lahko uporablja za primerjavo enega orodja z drugim. Uporablja se ga lahko za predhodno oceno izpostavljenosti. Navedeno nivo emisij vibracij predstavlja glavne uporabe orodja. Vendar, če se orodje uporablja v druge namene in z različnimi nastavki oz. če je orodje slabo vzdrževano, se lahko emisije vibracij razlikujejo. To lahko občno poveča nivo izpostavljenosti v skupnem delovnem času.

Ocena nivoja izpostavljenosti vibracijam bi morala prav tako upoštevati, koliko krat je orodje bilo izključeno ali je v delovanju in pravzaprav ne opravlja svojega dela. To lahko občno zmanjša nivo izpostavljenosti v skupnem delovnem času. Upoštevajte dodatne varnostne ukrepe, da bi upravljalca zaščiliti pred vplivom vibracij, kot je: vzdržujte orodje in nastavke, pazite, da so roke tople, organizirajte delovne vzorce.

SK VAROVANIE

Úroveň emisie vibrácií, uvedená v tomto informačnom hárku bola nameraná v súlade so štandardizovaným testom, daný normou EN60745 a môže sa použiť na porovnanie jedného nástroja s druhým. Môže sa použiť na predbežné určenie miery vystavenia sa vibráciám. Uvedená úroveň emisie vibrácií predstavuje hlavné aplikácie nástroja. Avšak keď sa nástroj používa na iné aplikácie, s rôznym prislúšenstvom alebo má zlú údržbu, úroveň vibrácií sa môže líšiť. Týmto sa môže výrazne zvýšiť úroveň vystavenia sa vibráciám počas celkového času práce.

Odhad úrovne vystavenia sa vibráciám by sa mal brať tiež do úvahy, vďaka, keď sa nástroj vypne, alebo potom, keď beží ale v skutočnosti sa nevykonáva práca. Týmto sa môže výrazne znížiť úroveň vystavenia sa vibráciám počas celkového času práce. Nasledovné dopĺňujúce bezpečnostné opatrenia pomôhajú chrániť operátora od účinkov vibrácií: údržba nástroja a prislúšenstva, udržiavanie teplých držadiel, organizácia práce.

EL ΠΡΟΕΙΔΟΠΟΙΗΣΗ

Τα επίπεδα εκπομπών κραδασμών που παρέχονται στο παρόν ενημερωτικό φυλλάδιο, έχουν μετρηθεί βάσει τυποποιημένης δοκιμής που προβλέπεται στο EN60745 και μπορούν να συγκριθούν για τη σύγκριση του εργαλείου με άλλα. Μπορούν επίσης να χρησιμοποιηθούν για προκαταρκτική αξιολόγηση της έκθεσης. Τα δηλωμένα επίπεδα εκπομπών κραδασμών αφορούν τις βασικές εφαρμογές του εργαλείου. Ωστόσο, αν το εργαλείο χρησιμοποιείται για διαφορετικές εφαρμογές, με διαφορετικά εξαρτήματα ή με κακή συντήρηση, η εκτιμώμενη κραδασμών μπορεί να διαφέρει. Αυτό μπορεί να αυξήσει σημαντικά το επίπεδο έκθεσης στη συνολική περίοδο εργασίας.

Η εκτίμηση των επιπέδων έκθεσης σε κραδασμούς θα πρέπει επίσης να λαμβάνει υπ' όψη τις χρονικές περιόδους κατά τις οποίες το εργαλείο είναι απενεργοποιημένο ή λειτουργεί χωρίς να χρησιμοποιείται σε συγκεκριμένη εργασία. Αυτό μπορεί να μειώσει σημαντικά το επίπεδο έκθεσης στη συνολική περίοδο εργασίας. Εφαρμόστε επιπρόσθετα μέτρα ασφαλείας για την προστασία του χειριστή από τις επιπτώσεις των κραδασμών, όπως τα εξής: συντηρήστε το εργαλείο και τα εξαρτήματα, διατηρείτε τα χέρια ζεστά, οργανώστε μοτίβα εργασίας.

TR UYARI

Bu bilgi sayfasında verilen titreşim emisyon seviyesi, EN60745 standardında belirtilen standartlaştırılmış bir teste uygun olarak ölçülmüş ve bir aleti diğerleriyle karşılaştırmak için kullanılabilir. Ön maruz kalma tespiti için kullanılabilir. Beyan edilen titreşim emisyon seviyesi aletin asıl uygulamalarındaki temsil etmektedir. Ancak alet, farklı aksesuarlarla veya yetersiz bakımı olarak farklı uygulamalar için kullanılırsa titreşim emisyonu değişebilir. Bu durum toplam çalışma süresi boyunca maruz kalma seviyesini önemli ölçüde artırır.

Titreşime maruz kalma seviyesinin değerlendirilmesi aynı zamanda alet kapalı ve arından çalışır ancak gerek anılamda iş yapmadığı zamanlar da göz önünde bulundurulmalıdır. Bu durum toplam çalışma süresi boyunca maruz kalma seviyesini önemli ölçüde azaltır. Operatörü titreşimin etkilerinden korumak için ilave güvenlik önlemleri belirleyin, örneğin: aletin ve aksesuarlarının bakımını yapmak, operatörün ellerini sıcak tutmak, çalışma modellerini organize etmek.





EN GARANTÉE

In addition to any statutory rights resulting from the purchase, this product is covered by a guarantee as stated below.

- The guarantee period is 24 months for consumers and commences on the date when the product was purchased. This date has to be documented by an invoice or other proof of purchase. The product is designed and dedicated to consumer and private use only. So there is no guarantee provided in case of professional or commercial use.
- There is, in some cases (i.e. promotion, range of tools), a possibility to extend the warranty period over the period described above using the registration on the www.ryobitools.eu website. The eligibility of the tool is clearly displayed in stores and/or on packaging. The end user needs to register his/her newly-acquired tools online within 8 days from the date of purchase. The end user may register for the extended warranty in his country of residence if listed on the online registration form where this option is valid. Furthermore, end users must give their consent to the storage of the data which are required to enter online and they have to accept the terms and conditions. The registration confirmation receipt, which is sent out by e-mail, and the original invoice showing the date of purchase will serve as proof of the extended warranty. Your statutory rights remain unaffected.
- The guarantee covers all defects of the product during the warranty period due to defaults in workmanship or material at the purchase date. The guarantee is limited to repair and/or replacement and does not include any other obligations including but not limited to incidental or consequential damages. The warranty is not valid if the product has been misused, used contrary to the instruction manual, or being incorrectly connected. This guarantee does not apply to:
 - any damage to the product that is the result of improper maintenance
 - any product that has been altered or modified
 - any product where original identification (trade mark, serial number) markings have been defaced, altered or removed
 - any damage caused by non-observance of the instruction manual
 - any non CE product
 - any product which has been attempted to be repaired by a non-qualified professional or without prior authorization by Techtronic Industries
 - any product connected to improper power supply (amps, voltage, frequency)
 - any damage caused by external influences (chemical, physical, shocks) or foreign substances
 - normal wear and tear of spare parts
 - inappropriate use, overloading of the tool
 - use of non-approved accessories or parts
 - carburettor after 6 months, carburettor adjustments after 6 months
 - power tool accessories provided with tool or purchased separately. Such exclusions include but is not limited to screw driver bits, drill bits, abrasive discs, sand paper and blades, lateral guide
 - components (parts and accessories) subject to natural wear and tear, including but not limited to carbon brushes, chuck, power cord, auxiliary handle, sanding plate, dust bag, dust exhaust tube
- For servicing, the product must be sent or presented to a RYOBI authorized service station listed for each country in the following list of service station addresses. In some countries your local RYOBI dealer undertakes to send the product to the RYOBI service organisation. When sending a product to a RYOBI service station, the product should be safely packed without any dangerous contents such as petrol, marked with sender's address and accompanied by a short description of the fault.
- A repair/replacement under this guarantee is free of charge. It does not constitute an extension or a new start of the guarantee period. Exchanged parts or tools become our property. In some countries delivery charges or postage will have to be paid by the sender.
- This guarantee is valid in the European Community, Switzerland, Iceland, Norway, Liechtenstein, Turkey and Russia. Outside these areas, please contact your authorized RYOBI dealer to determine if another warranty applies.

AUTHORISED SERVICE CENTRE

To find an authorised service centre near you, visit <http://uk.ryobitools.eu/header/service-and-support/service-agents>.

FR GARANTIE

En plus des droits statutaires liés à l'achat, ce produit est couvert par une garantie telle que décrite ci-dessous.

- La durée de la garantie accordée au consommateur est de 24 mois à partir de la date d'achat. Cette date doit être authentifiée par une facture ou tout autre preuve d'achat. Le produit a été conçu en vue d'une utilisation strictement privée. Aucune garantie ne s'applique donc en cas d'utilisation professionnelle ou commerciale.
- Il existe, dans certains cas (par exemple promotion, gamme d'outils), une possibilité d'étendre la période de garantie au-delà de la période précédemment décrite en utilisant le formulaire d'enregistrement présent sur le site Internet www.ryobitools.eu. L'éligibilité d'un outil est clairement affichée dans les points de vente et/ou sur l'emballage. L'utilisateur final doit enregistrer son/ses outil(s) nouvellement acheté(s) en ligne dans les 8 jours qui suivent la date d'achat. L'utilisateur a la possibilité de s'enregistrer pour l'extension de garantie dans son pays de résidence si celui-ci est listé dans le formulaire d'enregistrement en ligne où cette option est valide. L'utilisateur final doit donner son consentement pour l'enregistrement des données requises pour accéder au site et doit accepter les termes et conditions. La confirmation d'enregistrement, envoyée par courrier électronique, ainsi que la facture originale mentionnant la date d'achat serviront de preuve de l'extension de garantie. Vos droits statutaires restent inchangés.
- La garantie couvre les défauts des pièces et de main d'oeuvre du produit pendant la période de garantie à partir de la date d'achat. La garantie n'inclut aucune autre obligation, tel que, mais sans s'y limiter, les dommages accessoires ou indirects. La garantie est non valable en cas de mauvaise utilisation du produit, d'utilisation contraire aux instructions du mode d'emploi, ou en cas de branchement incorrect. Cette garantie ne s'applique pas pour :
 - tout dommage au produit résultant d'un mauvais entretien
 - tout produit ayant été altéré ou modifié
 - tout produit dont les marquages originaux d'identification (marque, numéro de série) ont été dégradés, altérés ou retirés
 - tout dommage causé par le non-respect des instructions du mode d'emploi
 - tout produit non CE
 - tout produit ayant subi une tentative de réparation par du personnel non qualifié ou sans autorisation préalable de Techtronic Industries
 - tout produit raccordé à une alimentation secteur non conforme (ampérage, voltage, fréquence)
 - tout dommage causé par des influences extérieures (chimiques, physiques, chocs) ou par des substances étrangères
 - l'usure normale des pièces consommables
 - une utilisation inappropriée, une surcharge de l'outil
 - l'utilisation de pièces ou accessoires non agréés
 - carburateurs âgés de plus de 6 mois, réglages du carburateur après 6 mois
 - accessoires d'outil à moteur fournis avec l'outil ou achetés séparément. De telles exclusions incluent de façon non exhaustive les embouts de vissage, les forets, les disques de ponçage, le papier de verre et les lames, les guides latéraux
 - composants (pièces et accessoires) sujets à une usure naturelle, incluant de façon non exhaustive les charbons, les mandrins, les câbles secteur, les poignées auxiliaires, les semelles de ponçage, les sacs à poussières, les tubes d'extraction de la poussière
- Si le produit doit être réparé, envoyez-le à un service après-vente agréé RYOBI dont vous trouverez ci-dessous la liste pour chaque pays. Dans certains pays, votre revendeur RYOBI se chargera d'envoyer le produit à un centre de réparation RYOBI. Lorsque vous envoyez un produit à un service après-vente RYOBI, celui-ci doit être correctement emballé, sans contenir aucun produit dangereux tel que de l'essence, et vous devez indiquer votre adresse ainsi qu'une courte description du problème.
- Une réparation / un remplacement sous garantie est gratuit(e). Ceci ne constituera pas une extension de garantie ni un nouveau départ de la période de garantie. Les pièces ou les outils remplacés deviennent notre propriété. Dans certains pays, les frais de port devront être assumés par l'expéditeur.
- Cette garantie est valable au sein de l'Europe, de la Suisse, de l'Islande, de la Norvège, du Liechtenstein, de la Turquie, de la Russie. En dehors de ces zones, veuillez contacter votre distributeur agréé RYOBI pour déterminer si une autre garantie s'applique.

SERVICE APRÈS-VENTE AGRÉÉ

Pour trouver le service après-vente agréé le plus proche, rendez-vous sur <http://fr.ryobitools.eu/header/service-and-support/service-agents>.



DE GARANTIE

Zusätzlich zu den aufgrund des Kaufs entstehenden gesetzlichen Rechten, ist dieses Produkt von der unten aufgeführten Garantie abgedeckt.

1. Die Garantiezeit für Endverbraucher beträgt 24 Monate für und beginnt ab dem Kaufdatum des Produktes. Dieses Datum muss durch eine Rechnung oder einen anderen Kaufbeleg dokumentiert sein. Das Produkt ist ausschließlich für den Privatgebrauch entwickelt und bestimmt. Deshalb wird keine Garantie im Fall von professionellem oder kommerziellem Einsatz angeboten.
2. In einigen Fällen (z.B. Promotion, auf eine bestimmte Produktpalette oder auf bestimmte Produkte begrenzt) besteht die Möglichkeit die Garantiezeit über den oben genannten Zeitraum, durch Registrierung auf der Webseite www.ryobitools.eu, zu verlängern. Der verlängerte Garantieanspruch für ein bestimmtes Produkt wird deutlich in den Geschäften und/oder auf der Verpackung des Produktes gezeigt. Der Endverbraucher muss seine neu gekauften Produkte innerhalb von 8 Tagen ab Kaufdatum registrieren. Der Endverbraucher kann sich für die erweiterte Garantie im Land seines permanenten Wohnsitzes registrieren, wenn diese Möglichkeit in dem Online-Formular gegeben ist. Des weiteren müssen die Endverbraucher ihr Einverständnis zur Speicherung der online angegebenen Daten geben und die Geschäftsbedingungen annehmen. Die per E-Mail verschickte Bestätigung der Registrierung und die Originalrechnung mit Kaufdatum dienen als Nachweis für die verlängerte Garantie. Ihre gesetzlichen Rechte bleiben unangetastet.
3. Die Garantie deckt während der Garantiezeit ab Kaufdatum alle Produktmängel aufgrund von Material- oder Herstellungsmängeln ab. Diese Garantie ist auf Reparatur und/oder Ersatz beschränkt und enthält keine weitere Verpflichtungen einschließlich aber nicht beschränkt auf beiläufige oder resultierende Schäden. Die Garantie ist nicht gültig, wenn das Produkt missbräuchlich oder entgegen der Bedienungsanleitung benutzt, oder falsch angeschlossen wurde. Diese Garantie gilt nicht für:
 - Jegliche Schäden die an dem Produkt aufgrund falscher Wartung entstehen.
 - Jedes Produkt das verändert oder modifiziert wurde.
 - Jedes Produkt an dem die originale Identifizierung (Markenzeichen, Seriennummer) verunstaltet, verändert oder entfernt wurden.
 - Jede Beschädigung die durch Nichtbeachtung der Bedienungsanleitung verursacht wurde.
 - Jedes Produkt ohne CE Zeichen.
 - Jedes Produkt das von einer unqualifizierten Person oder ohne vorherige Genehmigung von Technronic Industries versucht wurde zu reparieren.
 - Jedes Produkt das an eine falsche Stromversorgung (Ampere, Spannung, Frequenz) angeschlossen wurde.
 - Jede Beschädigung die von äußeren Einflüssen (chemisch, physisch, Stöße) oder fremden Substanzen verursacht wurde.
 - Normaler Verschleiß und Abnutzung von Ersatzteilen.
 - Zweckwidrige Benutzung, Überlastung des Werkzeugs.
 - Benutzung von nicht zugelassenem Zubehör oder Teilen.
 - Den Vergaser nach 6 Monaten, die Vergasereinstellung nach 6 Monaten.
 - Mit dem Werkzeug gelieferte oder separat erhältliches Zubehör. Diese Ausnahmen sind einschließlich aber nicht beschränkt auf Schraubeinsätze, Bohrer, Schleifscheiben, Sandpapier und Klingen, seitliche Führungen.
 - Komponenten (Teile und Zubehör) die normalem Verschleiß unterliegen, einschließlich aber nicht beschränkt auf Kohlebürsten, Spannfutter, Netzkabel, Zusatzhandgriffe, Schleifplatten, Staubbeutel, Staubabzugschläuche
4. Zur Wartung muss das Produkt eingeschickt werden oder einem für jedes Land in der folgenden Liste aufgeführten autorisierten RYOBI Kundendienst gebracht werden. In einigen Ländern schickt Ihr örtlicher RYOBI Händler das Produkt an den RYOBI Kundendienst. Wenn ein Produkt an den RYOBI Kundendienst geschickt wird, sollte es sicher verpackt werden, ohne gefährlichen Inhalt, wie Treibstoff, mit der Absenderadresse versehen sein und eine kurze Beschreibung des Fehlers enthalten.
5. Reparatur/Ersatz unter dieser Garantie sind kostenfrei. Das stellt keine Verlängerung oder Neustart der Garantiezeit dar. Ausgewechselte Teile oder Werkzeuge treten in unseren Besitz über. In einigen Ländern müssen Lieferkosten oder Postgebühren von dem Absender getragen werden.
6. Diese Garantie gilt in der Europäischen Gemeinschaft, Schweiz, Island, Norwegen, Liechtenstein, Türkei und Russland. Bitte kontaktieren Sie Ihren autorisierten RYOBI-Händler, um herauszufinden ob eine andere Gewährleistung außerhalb dieser Gebiete gültig ist.

AUTORISIERTER KUNDENDIENST

Besuchen Sie <http://de.ryobitools.eu/header/service-and-support/service-agents>, um einen autorisierten Kundendienst in Ihrer Nähe zu finden.

ES GARANTÍA

Además de cualquier derecho estatutario derivado de la compra, este producto está cubierto con la siguiente garantía.

1. El periodo de garantía es de 24 meses para los consumidores y comienza a partir de la fecha de compra del producto. Esta fecha debe demostrarse con una factura u otra prueba de compra. El producto está diseñado y destinado al consumidor y únicamente para uso privado. Por tanto, no se ofrece ninguna garantía en caso de uso profesional o comercial.
2. En algunos casos (como promociones o un conjunto de herramientas) existe la posibilidad de ampliar el periodo de garantía hasta el periodo descrito anteriormente mediante el registro en el sitio web www.ryobitools.eu. La elegibilidad de la herramienta se muestra claramente en las tiendas o en el embalaje. El usuario final debe registrar sus herramientas recién adquiridas en línea en los 8 días siguientes a la fecha de compra. El usuario final podrá registrarse para ampliar la garantía en su país de residencia si éste aparece en el formulario de registro en línea en que esta opción es válida. Además, los usuarios finales deben dar su consentimiento para que se guarden los datos que se solicitan para entrar en línea y aceptar los términos y condiciones. El recibo de la confirmación de registro, que se enviará por correo electrónico, y la factura original que muestre la fecha de compra servirán como prueba de la ampliación de la garantía. Sus derechos estatutarios permanecerán intactos.
3. La garantía cubre, durante el periodo de garantía, todos los defectos del producto que se deban a fallos de la mano de obra o a fallos del material en la fecha de compra. La garantía tiene un límite de reparación o sustitución y no incluye ninguna otra obligación se deba a, aunque sin limitarse a ello, daños accidentales o incidentales. La garantía no es válida si se ha hecho un uso inadecuado del producto, si no se ha usado siguiendo el manual de instrucciones o si se ha conectado incorrectamente. Esta garantía no se aplica a:
 - cualquier daño del producto derivado de un mantenimiento inadecuado
 - cualquier producto que haya sido alterado o modificado
 - cualquier producto en el que las marcas de identificación originales (marca comercial, número de serie) hayan sido borradas, modificadas o eliminadas
 - cualquier daño causado por el incumplimiento del manual de instrucciones
 - cualquier producto que no sea CE
 - cualquier producto que haya intentado reparar un profesional no cualificado o sin una autorización previa de Technronic Industries
 - cualquier producto conectado a un suministro eléctrico inadecuado (amperios, tensión, frecuencia)
 - cualquier daño causado por influencias externas (de productos químicos, daños físicos, descarga eléctrica) o sustancias extrañas
 - desgaste o rotura normal de las piezas de repuesto
 - uso inadecuado, sobrecarga de la herramienta
 - uso de accesorios o piezas no homologados
 - carburador después de 6 meses, ajustes del carburador después de 6 meses
 - accesorios de las herramientas eléctricas suministrados con la herramienta o adquiridos por separado. Dichas exclusiones incluyen, aunque sin limitarse a ello, puntas de destornilladores, brocas, discos abrasivos, lijas de papel y cuchillas, guía lateral
 - componentes (piezas y accesorios) sujetos a desgaste y rotura natural, incluyendo, pero sin limitarse a ellos, escobillas de carbón, portabrocas, cable de alimentación, mango auxiliar, bolsa para el polvo, tubo de salida del polvo
4. Para el servicio, el producto debe enviarse o entregarse en un punto de servicio técnico autorizado RYOBI enumerado para cada país en la siguiente lista de direcciones de servicio técnico. En algunos países su distribuidor local RYOBI se encarga de enviar el producto a la organización del servicio de RYOBI. Al enviar un producto a un punto de servicio técnico RYOBI, el producto debe embalarse de forma segura sin que contenga ninguna sustancia peligrosa como petróleo, debe llevar la dirección del remitente e ir acompañado de una breve descripción del fallo.
5. Una reparación/sustitución dentro de esta garantía se realiza de forma gratuita. No constituye una ampliación ni un reinicio del periodo de garantía. Las piezas o herramientas que se cambian pasan a ser de nuestra propiedad. En algunos países los gastos de envío o del franqueo deberá pagarlos el remitente.
6. Esta garantía es válida en la Comunidad Europea, Suiza, Islandia, Noruega, Liechtenstein, Turquía y Rusia. Fuera de estas zonas, póngase en contacto con su distribuidor autorizado RYOBI para determinar si se aplica otra garantía.

SERVICIO TÉCNICO AUTORIZADO

Para encontrar el servicio técnico autorizado más cercano, visite <http://uk.ryobitools.eu/header/service-and-support/service-agents>.



IT GARANZIA

Oltre ai legittimi diritti derivanti dall'acquisto del prodotto, quest'ultimo è coperto da garanzia come indicato nei seguenti punti.

1. Il periodo di garanzia per il consumatore è di 24 mesi ed ha inizio dalla data in cui il prodotto è stato acquistato. Questa data deve essere documentata da una ricevuta o da altra prova d'acquisto. Il prodotto è stato disegnato e progettato solo per l'utilizzo privato del consumatore. La garanzia viene invalidata in caso di utilizzo professionale o commerciale.
2. In alcuni casi (per esempio promozioni e gamme di prodotti) esiste la possibilità di estendere il periodo di garanzia oltre il periodo indicato sopra registrandosi sul sito web www.ryobitools.eu. L'idoneità del prodotto a rievitare tale estensione viene indicata chiaramente nei punti vendita e/o sull'imballo. L'utente finale deve registrare il suo prodotto appena acquistato online entro 8 giorni dalla data d'acquisto. L'utente finale può accedere all'offerta nel suo paese quando la stessa è valida e qualora si sia registrato online. Inoltre, gli utenti finali devono dare il proprio consenso all'archiviazione dei dati che si inseriscono online indicando che i termini e le condizioni sono stati accettati. La ricevuta della conferma della registrazione verrà inviata via email e la fattura originale indicante la data d'acquisto verrà utilizzata come prova della garanzia estesa. I diritti legittimi dell'utente rimarranno invariati.
3. La garanzia copre tutti i difetti di fabbricazione del prodotto durante il periodo di garanzia a causa di guasti di fabbricazione o di materiale alla data di acquisto. La garanzia è limitata alla riparazione e/o alla sostituzione e non include altri obblighi compreso ma non limitato a danni incidentali o consequenziali. La garanzia non è valida se il prodotto non è stato utilizzato come indicato nel manuale di istruzioni o se è stato collegato in maniera non corretta. La garanzia non si applica a:
 - qualsiasi danno al prodotto che sia il risultato di una scorretta manutenzione
 - qualsiasi prodotto che sia stato alterato o modificato
 - qualsiasi prodotto sul quale l'identificazione originale (marchio registrato, numero di serie) sia stata resa illeggibile, sia stata danneggiata o alterata
 - qualsiasi danno causato dalla non osservanza del manuale d'istruzioni
 - qualsiasi prodotto non contrassegnato con il marchio CE
 - qualsiasi prodotto che una persona non qualificata abbia tentato di riparare o che si è tentato di riparare senza l'autorizzazione delle Techntronisanooc Industries
 - qualsiasi prodotto collegato a un'alimentazione non corretta (per amp, voltaggio, frequenza)
 - qualsiasi danno causato da agenti esterni (chimici, fisici o shock) o da sostanze estranee
 - normale usura di parti di ricambio
 - utilizzo non appropriato, sovraccaricamento di utensili
 - utilizzo non approvato di accessori o parti
 - carburatore dopo 6 mesi, regolazioni al carburatore dopo 6 mesi
 - elettro utensili forniti con l'utensile o separatamente. Tali esclusioni comprendono ma non sono limitate a punte per giraviti, punte per trapani, dischi abrasivi, carta vetrata e lame, guida laterale
 - componenti (parti e accessori) soggetti a naturale usura, compreso ma non limitatamente a spazzole al carbonio, mandrino, cavo dell'alimentazione, manico ausiliario, piastra di levigazione, sacchetto per la polvere, tubo di scarico polvere
4. Per servizi di manutenzione, il prodotto dovrà essere mandato o presentato presso un punto di servizio clienti autorizzato RYOBI indicato nella seguente lista. In alcune nazioni il rivenditore RYOBI si occuperà di inviare il prodotto al più vicino servizio clienti Ryobi. Quando si invia un prodotto a un servizio clienti RYOBI, il prodotto dovrà essere correttamente imballato senza eventuali contenuti pericolosi quali carburanti, e contrassegnato con l'indirizzo della persona che lo ha inviato e accompagnato da una breve descrizione del problema riscontrato.
5. Si garantisce una riparazione/sostituzione gratuita quando il prodotto è coperto da garanzia. Questa sostituzione o riparazione non costituisce una estensione o un nuovo inizio di un periodo di garanzia. Le parti o l'utensile cambiati sono di proprietà della ditta. In alcune nazioni i costi di consegna o invio dovranno essere pagati dalla persona che spedisce.
6. Questa garanzia è valida all'interno della Comunità Europea, in Svizzera, Islanda, Norvegia, Liechtenstein, Turchia e Russia. Al di fuori di queste aree, si prega di contattare il proprio gestore autorizzato RYOBI per determinare se si applica un'altra garanzia.

CENTRO SERVIZI AUTORIZZATO

Per individuare il più vicino centro servizi autorizzato, visitare il sito <http://uk.ryobitools.eu/header/service-and-support/service-agents>.

NL GARANTIE

Bovenop de statutaire rechten als gevolg van de aankoop, wordt dit product gedekt door een garantie, zoals deze hieronder wordt beschreven.

1. De garantieperiode bedraagt 24 maanden voor consumenten en begint vanaf de datum waarop het product werd aangekocht. Deze datum moet worden gedocumenteerd door een factuur of ander aankoopbewijs. Het product is uitsluitend ontworpen en bedoeld voor particuliere gebruikers. De garantie vervalt bij professioneel of commercieel gebruik.
2. In enkele gevallen (vb. promotie, gereedschapsaanbod) bestaat er een mogelijkheid om de garantieperiode te verlengen met dezelfde periode als deze hierboven beschreven met behulp van de registratie op de website www.ryobitools.eu. Of het product al of niet in aanmerking komt, is duidelijk aangegeven in winkels en/of de verpakking. De eindgebruiker dient zijn/haar nieuw werktuig binnen de 8 dagen na de aankoopdatum online registreren. De eindgebruiker kan zich aanmelden voor de uitgebreide garantie in zijn verblijfsland als dit op het online registratieformulier is opgenomen wanneer deze optie geldig is. Bovendien moet de eindgebruiker zijn toestemming geven om informatie te gebruiken die nodig is om toegang te krijgen tot de website en dient de algemene voorwaarden te accepteren. Het ontvangstbewijs van dit registratieformulier, dat via e-mail wordt verzonden, en de originele factuur die de aankoopdatum vermeldt dienen als bewijs van de uitgebreide garantie. Uw statutaire rechten blijven onveranderd.
3. De garantie dekt alle defecten van het product gedurende de garantieperiode als gevolg van fouten in het werk of materiaal op de aankoopdatum. De garantie is beperkt tot de reparatie en/of vervanging en omvat geen andere verplichtingen waaronder, maar niet beperkt tot, incidentele of gevolgschade. De garantie is niet geldig als het product werd misbruikt, in tegenspraak met de gebruiksaanwijzing werd gebruikt of foutief werd verbonden. Deze garantie geldt niet voor:
 - schade aan het product als gevolg van foutief onderhoud
 - als het product op enigerlei wijze werd gewijzigd
 - als originele markeringen ter identificatie (handelsmerk, serienummer) van het product werden verwijderd of gewijzigd
 - voor schade als gevolg van het niet in acht nemen van deze gebruiksaanwijzing
 - een niet-EC-product
 - een product, waaraan een niet-gekwalificeerde vakman reparaties uitvoerde of waaraan reparaties werden uitgevoerd zonder voorafgaande toestemming van Techntron Industries
 - een product dat werd aangesloten aan een foutieve krachtbron (amps, spanning, frequentie)
 - schade veroorzaakt door externe invloeden (chemische, fysieke schokken) of vreemde stoffen
 - normale slijtage van reserve-onderdelen
 - foutief gebruik, overbelasting van het werktuig
 - gebruik van niet-goedgekeurde accessoires of onderdelen
 - de carburator na 6 maanden, carburatorafstellingen na 6 maanden
 - gereedschapsaccessoires die met het werktuig worden meegeleverd of afzonderlijk worden aangekocht. Deze uitsluitingen omvatten, maar zijn niet beperkt tot schroevendraaiers, boorstiften, slijpschijven, schuurpapier en -bladen, laterale geleiders
 - componenten (onderdelen en accessoires) die onderhevig zijn aan natuurlijke slijtage met inbegrip van, maar niet beperkt tot, koolborstels, boorhouders, stroom snoeren, bijkomende handvatten, schuurplaten, stofzakken, stofuitlaatbuizen
4. Voor onderhoud moet het product naar een geautoriseerd RYOBI-onderhoudsstation worden gestuurd of gebracht. Een lijst met de adressen van deze stations per land is hier opgenomen. In bepaalde landen verzendt uw plaatselijke RYOBI-verdelers het product naar de RYOBI-onderhoudsorganisatie. Als een product naar een RYOBI-onderhoudsstation wordt gezonden, moet het product veilig zijn verpakt zonder gevaarlijke inhoud, zoals benzine, met aanduiding van het adres van de verzender en met inbegrip van een korte beschrijving van de fout.
5. Een reparatie/vervanging onder deze garantie is gratis. Dit heeft geen gevolgen voor de duur van deze garantie of betekent niet dat de garantie wordt verlengd of opnieuw begint. Vervangen onderdelen of werktuigen worden onder eigendom. In bepaalde landen moeten verzendings- of leveringskosten door de verzender worden betaald.
6. Deze garantie is geldig in de Europese Unie, Zwitserland, IJsland, Noorwegen, Liechtenstein, Turkije en Rusland. Buiten deze landen neemt u contact op met uw geautoriseerde RYOBI-verdeler om te bepalen of er een andere garantie geldig is.

GEAUTORISEERD ONDERHOUDSCENTRUM

Om een geautoriseerd onderhoudscentrum in uw buurt te vinden, surf u naar <http://uk.ryobitools.eu/header/service-and-support/service-agents>.



PT GARANTIA

Além de qualquer direito estatutário derivado da compra, este produto está coberto com a seguinte garantia.

1. O período de garantia é de 24 meses para os consumidores e começa a partir da data de compra do produto. Esta data deve ser comprovada com uma factura ou outra prova de compra. O produto foi desenhado e destinado ao consumidor e apenas para uso privado. Portanto, não se oferece qualquer garantia em caso de uso profissional ou comercial.
2. Em alguns casos (como promoções ou um conjunto de ferramentas) existe a possibilidade de ampliar o período de garantia até ao período descrito anteriormente através do registo no website www.ryobitools.eu. A elegibilidade da ferramenta mostra-se claramente nas lojas ou na embalagem. O utilizador final deve registar as suas ferramentas recém-adquiridas on-line nos 8 dias seguintes à data de compra. O utilizador final poderá registar-se para ampliar a garantia no seu país de residência se este aparecer no formulário de registo on-line em que esta opção é válida. Além disso, os utilizadores finais devem dar o seu consentimento para se guardarem os dados que se solicitam para entrar on-line e aceitar os termos e condições. A confirmação de registo, que será enviada por correio electrónico, e a factura original que mostre a data de compra servirão como prova da ampliação da garantia. Os seus direitos estatutários permanecerão intactos.
3. A garantia cobre, durante o período de garantia, todos os defeitos do produto que se devam a falhas da mão-de-obra ou a falhas do material na data de compra. A garantia tem um limite de reparação ou substituição e não inclui qualquer outra obrigação que se deva a, embora sem se limitar a tal, danos accidentais ou incidentais. A garantia não é válida se se fez um uso inadequado do produto, se não se usou seguindo o manual de instruções ou se foi ligado incorrectamente. Esta garantia não se aplica a:
 - qualquer dado do produto derivado de uma manutenção inadequada
 - qualquer produto que tenha sido alterado ou modificado
 - qualquer produto em que as marcas de identificação originais (marca comercial, número de série) tenham sido apagadas, modificadas ou eliminadas
 - qualquer dano causado por incumprimento do manual de instruções
 - qualquer produto que não seja CE
 - qualquer produto que um profissional não qualificado tenha tentado reparar ou sem uma autorização prévia de Techtronic Industries
 - qualquer produto ligado a um fornecimento eléctrico inadequado (ampérios, tensão, frequência)
 - qualquer dano causado por influências externas (de produtos químicos, danos físicos, descarga eléctrica) ou substâncias estranhas
 - desgaste ou ruptura normal das peças de substituição
 - uso inadequado, sobrecarga da ferramenta
 - uso de acessórios ou peças não homologadas
 - carburador após 6 meses, ajustes do carburador após 6 meses
 - acessórios das ferramentas eléctricas fornecidos com a ferramenta ou adquiridos em separado. Ditas exclusões incluem, embora sem se limitarem a tal, pontas de chave de fendas, brocas, discos abrasivos, lixas de papel e lâminas, guia lateral
 - componentes (peças e acessórios) sujeitos a desgaste e ruptura natural, incluindo, mas sem limitar a eles, escovas de carvão, portabrocas, cabo de alimentação, mangueira auxiliar, bolsa para o pó, tubo de saída do pó
4. Para o serviço, o produto deve ser enviado ou entregue num ponto de serviço técnico autorizado RYOBI enumerado para cada país na seguinte lista de moradas de serviço técnico. Em alguns países o seu distribuidor local RYOBI encarrega-se de enviar o produto para a organização do serviço de RYOBI. Ao enviar um produto a um ponto de serviço técnico RYOBI, o produto deve ser embalado de forma segura sem que contenha qualquer substância perigosa como petróleo, deve levar a morada do remetente e ir acompanhado de uma breve descrição da falha.
5. Uma reparação/substituição dentro desta garantia realiza-se de forma gratuita. Não constitui uma ampliação nem um reinício do período de garantia. As peças e ferramentas que se alterem passam a ser da nossa propriedade. Em alguns países os gastos de envio ou da franquia deverá pagá-los o remetente.
6. Esta garantia é válida na Comunidade Europeia, Suíça, Islândia, Noruega, Liechtenstein, Turquia e Rússia. Fora destas zonas, entre em contacto com o seu distribuidor autorizado RYOBI para determinar se se aplica outra garantia.

CENTRO DE ASSISTÊNCIA AUTORIZADO

Para encontrar um centro de assistência autorizado próximo de si, visite <http://uk.ryobitools.eu/header/service-and-support/service-agents>.

DA GARANTI

Ud over de lovbestemte rettigheder ved køb, er dette produkt dækket af en garanti som angivet nedenfor.

1. Garantien er 24 måneder for forbrugere og træder i kraft den dato, hvor produktet bliver købt. Denne dato skal dokumenteres af en faktura eller andet købsbevis. Produktet er designet og beregnet til privat brug. Så der er ingen garanti i tilfælde af erhvervs-mæssig brug.
2. Der er i visse tilfælde (f.eks. kampagner eller udvalgt produkter) mulighed for at forlænge garantien i perioden beskrevet ovenfor ved at registrere produktet på www.ryobitools.dk. Beregningen af produktet vises tydeligt i butikker og / eller på emballagen. Slutbrugeren skal registrere hans/hendes ny erhvervede produkter online indenfor 8 dage fra købsdatoen. Slutbrugeren kan tilmelde sig den udvidede garanti i sit bopælsland, hvis det er opført på den online tilmeldingsformular. Desuden skal slutbrugere give deres samtykke til lagring af de data, der er nødvendige for at komme ind på nettet, og de er nødt til at acceptere vilkår og betingelser. Kvittingen på modtagelsen af registreringerne, som udsendes via e-mail, og den originale faktura, der angiver købsdatoen, fungerer som bevis på den udvidede garanti. Dine lovbestemte rettigheder forbliver uændret.
3. Garantien dækker alle fejl ved produktet i løbet af garantiperioden, som kan føres tilbage til fabrikations- eller materialefejl på købsdatoen. Garantien begrænser sig til reparation og/eller udskidning og omfatter ikke andre forpligtelser inklusiv, men ikke begrænset til, skader eller følgeskader. Garantien er ikke gyldig, hvis produktet har været udsat for misbrug, anvendelse i strid med brugsanvisningen eller har været tilsluttet forkert. Denne garanti dækker ikke:
 - Enhver skade på produktet som følge af ukorrekt tilbeholdelse
 - Ethvert produkt, som er blevet ændret eller modificeret
 - Ethvert produkt, hvor de originale identifikationsmærker (varemærke, serienummer) er blevet ødelagt, ændret eller fjernet
 - Enhver skade, der skyldes manglende overholdelse af brugsanvisningen
 - Ethvert produkt uden CE-mærkning
 - Ethvert produkt, som har været udsat for forsøg på reparation af en uautoriseret fagmand eller uden accept fra Techtronic Industries
 - Ethvert produkt, der har været sluttet til forkert strømforsyning (ampere, spænding, frekvens)
 - Enhver skade, der skyldes udefra kommende påvirkninger (kemisk, fysisk, stød) eller fremmedlegemer
 - normal slitage på reservedele
 - Forkert anvendelse, overbelastning af produktet
 - Brug af ikke-godkendt tilbehør eller (reserve)dele
 - Karburator efter 6 måneder, karburatorjusteringer efter 6 måneder
 - Tilbehør til elprodukter, der er forsynet med værktøj eller købt separat. Sådanne undtagelser inkluderer, men er ikke begrænset til, skruetrækkerbits, borebits, silbeskiver, sandpapir og knive, sideføring
 - komponenter (dele og tilbehør), der udsættes for naturlig slitage, inklusive, men ikke begrænset til, kulbørster, spændepatron, strømforsyningskabel, hjælpéhåndtag, slibeplade, støvsugerpose, støvsugningsrør
4. Til servicering skal produktet indleveres til eller forevies et autoriseret RYOBI serviceværksted for det pågældende land. I nogle lande vil din lokale RYOBI-forhandler sende produktet til RYOBI's serviceorganisation. Når et produkt indleveres til et RYOBI serviceværksted, skal det emballeres forsvarligt uden farligt indhold (som f.eks. benzin), være forsynet med afsenderadresse og ledsaget af en kort beskrivelse af fejlen.
5. Reparation/udskiftning i henhold til denne garanti er gratis. Den medfører ikke forlængelse eller ny start af garantiperioden. Udskidte dele eller værktøjer overgår til vores ejendom. I nogle lande skal leveringsomkostninger eller porto betales af afsenderen.
6. Denne garanti er gyldig i EU, Schweiz, Island, Norge, Liechtenstein, Tyrkiet og Rusland. Uden for disse områder bedes man venligst kontakte sin autoriserede RYOBI-forhandler for at få opklaret, om evt. andre garantier er gældende.

AUTORISEREDE SERVICEVÆRKSTEDER

Find nærmeste autoriserede serviceværksted på <http://dk.ryobitools.eu/header/service-and-support/service-agents>.

SV GARANTI

Förutom de lagstadgade rättigheter som följer köpet omfattas denna produkt av en garanti som anges nedan.

- Garantitiden är 24 månader för konsumenter och börjar den dag då produkten köptes. Detta datum måste kunna dokumenteras av en faktura eller annat inköpsbevis. Produkten är utformad och avsedd för konsumenter och ska endast användas för privat bruk. Det innebär att ingen garanti lämnas vid yrkesmässig eller kommersiell användning.
- I vissa fall (t.ex. marknadsföring, sortiment av verktyg), finns det en möjlighet att förlänga garantitiden under den period som beskrivs ovan genom registrering på hemsidan www.ryobitools.eu. De verktyg det gäller för framgår tydligt i butiker och/eller på förpackningen. Slut användaren måste registrera sitt nyinköpta verktyg på nätet inom 8 dagar från inköpsdatum. Slut användaren kan registrera sig för den utökade garantitiden i sitt hemland om det framgår på registreringsformuläret online där detta alternativ är giltigt. Dessutom måste slut användarna ge sitt samtycke till lagring av de uppgifter som krävs för att komma in på nätet och de måste godkänna villkoren. Registrerings bevis som skickas ut via e-post och den ursprungliga fakturan som visar inköpsdatum fungerar som bevis på förlängd garanti. Dina lagstadgade rättigheter påverkas inte.
- Garantin täcker alla fel på produkten under garantitiden som beror på fel i utförande eller material vid inköpsdatumet. Garantin är begränsad till reparation och/eller utbyte och inkluderar inte några andra åtaganden, inklusive men inte begränsat till oförutsedda skador eller följdskador. Garantin gäller inte om produkten har använts på fel sätt, använts på ett sätt som inte följer användarhandboken eller som har anslutits på ett felaktigt sätt. Denna garanti gäller inte för:
 - skador på produkten som beror på felaktigt underhåll
 - om produkten har ändrats eller modifierats
 - en produkt där den ursprungliga identifieringen (varumärke, serienummer) har förstörts, ändrats eller tagits bort
 - skador som orsakas av att användarhandboken inte har följts
 - alla produkter som inte följer CE-bestämmelser
 - en produkt som är icke-kvalificerad yrkesperson eller en person som inte har behörighet från Technic Industries har försökt att reparera
 - en produkt som ansluts till elluttaget (ampere, spänning, frekvens) på fel sätt
 - skador som orsakas av yttre påverkan (kemiska, fysikaliska, stötar) eller främmande ämnen
 - normalt slitage av reservdelar
 - felaktig användning, överbelastning av verktyget
 - användning av icke-godkända tillbehör eller delar
 - förgasare efter 6 månader, justering av förgasare efter 6 månader
 - elverktygstillbehör som medföljer verktyget eller köps separat. Sådana undantag inkluderar men är inte begränsat till skruvmejseldelar, bormejslar, slipskivor, sandpapper och blad, sidostyrning
 - komponenter (delar och tillbehör) med förbehåll för normalt slitage, inklusive men inte begränsat till kolborstar, chuck, nätkabel, extrahandtag, slipningsplåt, dammpåse, dammrör
- För service, måste produkten skickas eller presenteras till en RYOBI-godkänd servicestation som anges för varje land i följande lista med adresser. I vissa länder ombesörjer den lokala RYOBI-återförsäljaren att skicka produkten till RYOBI-serviceorganisationen. När en produkt skickas till en RYOBI-servicestation, ska produkten förpackas på ett säkert sätt utan farligt innehåll som bensin, märkt med avsändarens adress tillsammans med en kort som beskriver felet.
- En reparation/utbyte som sker under denna garanti är gratis. Den utgör inte en förlängning eller en ny start på garantitiden. Utbyts delar eller verktyg blir vår egendom. I vissa länder måste leveranskostnader eller porto betalas av avsändaren.
- Denna garanti gäller i EU, Schweiz, Island, Norge, Liechtenstein, Turkiet och Ryssland. Utanför dessa områden ska du kontakta din auktoriserade RYOBI-återförsäljare för att avgöra om en annan garanti gäller.

AUKTORISERAT SERVICECENTER

Du hittar närmaste auktoriserade servicecenter genom att gå till <http://uk.ryobitools.eu/header/service-and-support/service-agents>.

FI TAKUUS

Hankinnasta koituvien laillisten oikeuksien lisäksi tätä tuotetta hallitsee alla kuvattu takuu.

- Takuukausi on 24 kuukautta kuluttajalle ja alkaa tuotteen ostopäivästä. Tämän päivän on oltava merkitty kuittiin tai muuhun todisteseen hankinnasta. Tämä tuote on suunniteltu ja tarkoitettu ainoastaan kuluttajien yksityiskäyttöön. Ammatti- ja kaupalliseen käyttöön ei näin ollen ole takuuta.
- Joissain tapauksissa (kuten tarjous, laitesarjat) takuukausta voidaan pidentää kuvattua kautta pidemmäksi rekisteröimällä tuote osoitteessa www.ryobitools.eu. Takuun pidentämysmahdollisuus ilmoitetaan selkeästi kaupassa ja/tai pakkauksessa. Loppukäyttäjän on rekisteröitävä uusi laitteensa online 8 päivän sisällä sen hankkimisesta. Loppukäyttäjän voi rekisteröityä saadakseen jatkettun takuun asuinmaassaan, jos se mainitaan online-rekisteröintilomakkeessa. Lisäksi, loppukäyttäjän on annettava suostumuksensa tallentaa syötetyt tiedot online, ja hänen on hyväksyttävä ehdot. Sähköpostitse lähetettävä rekisteröintivahvistus ja alkuperäinen kuitti, josta ilmenee hankintapäivä, toimivat todistena takuun jatkamisesta. Lailliset oikeutesi eivät muutu.
- Takuu kattaa takuukaikana kaikki tuotteen viat, jotka johtuvat valmistus- tai materiaaliavista hankintapäivänä. Takuu rajoittuu korjaukseen ja/ tai vaihtoon eikä sisällä mitään muita velvoitteita, mukaan lukien mm. satunnaiset ja seuraamukselliset vauriot. Takuu ei ole voimassa, jos tuotetta on väärinkäytetty tai käytetty käyttöoppaan vastaisesti tai se on kytketty virheellisesti. Takuu ei kata seuraavia:
 - tuotteelle koituneet vahingot, jotka johtuvat virheellisestä ylläpidosta
 - tuote, jota on muunneltu
 - tuote, jossa alkuperäiset tunnisteet (tavaramerkki, sarjanumero) ovat turmeltuneet tai niitä on muutettu tai ne on poistettu
 - käyttöoppaan laiminlyönnistä johtuvat vauriot
 - ei-EC-tuotteet
 - tuotteet, joita on yrittänyt korjata ei-pätevä asentaja tai jonka korjaukselle ei ole saatu Technic Industriesiltä hyväksyntää etukäteen
 - tuotteet, jotka on kytketty vääränlaiseen virtalähteeseen (virta, jännite, taajuus)
 - vauriot, jotka johtuvat ulkoisista syistä (kemikaalit, fyysiset tekijät, iskut) tai vieraista aineista
 - normaali varaosien kuluminen
 - virheellinen käyttö, laitteen ylikuormitus
 - muiden kuin hyväksytyjen lisävarusteiden ja osien käyttö
 - kaasutin 6 kuukauden jälkeen, kaasutimen säätö 6 kuukauden jälkeen
 - laitteen mukana tulleet tai erikseen hankitut sähkölaitteiden lisävarusteet. Tällaiset poisjätöt sisältävät mm. ruuvinvääntimet terät, poranterät, hiontakiekot, hiekkapaperi ja terät, sivuohjain
 - komponentit (osat ja lisävarusteet), joihin kohdistuu luonnollista kulumista, mukaan lukien mm. hiiliharjat, istukka, virtajohto, lisäkahva, hiontalevy, pölypussit, pölyn poistoputki
- Huollon saaminen edellyttää, että tämä tuote lähetetään tai viedään RYOBI:n valtuuttamaan huoltoon, jotka luetaan maittain seuraavassa huoltojen osoiteluettelossa. Joissain maissa paikallinen RYOBI-jälleenmyyjä hoitaa tuotteen lähettämisen RYOBI-huoltoon. Kun tuote lähetetään RYOBI-huoltoon, se on pakattava turvallisesti ilman mitään vaarallista sisältöä, kuten bensiiniä, siihen on merkittävä lähettäjän osoite ja sen mukana on lähetettävä vian kuvaus.
- Tämän takuun puitteissa tapahtuva korjaaminen/vaihto on ilmaista. Se ei merkitse takuujakson jatkamista tai uuden kauden alkua. Vaihdetuista osista ja laitteista tulee meidän omaisuuttamme. Joissain maissa lähettäjän on maksettava toimituskulut tai postimaksu.
- Tämä takuu on voimassa Euroopan Yhteisössä, Sveitsissä, Islannissa, Norjassa, Liechtensteinissa, Turkissa ja Venäjällä. Jos olet näiden alueiden ulkopuolella, ota yhteys valtuutettuun RYOBI-jälleenmyyjään, joka voi kertoa, onko joku muu takuu voimassa.

VALTUUTETTU HUOLTO

Voit etsiä lähimmän valtuutetun huollon sivulta <http://fi.ryobitools.eu/header/service-and-support/service-agents>.

NO GARANTI

I tillegg til enhver lovbestemt rettighet som følge av dette kjøpet er dette produktet dekket av en garanti som beskrevet nedenfor.

1. Garantitiden er 24 måneder for forbrukere, og starter på produktets kjøpsdato. Denne datoen må dokumenteres av faktura eller annet kjøpsbevis. Produktet er konstruert og beregnet på forbrukere og kun privat bruk. Det gis ingen garanti ved profesjonell eller kommersiell bruk.
2. Det er, i noen tilfeller, (dvs. markedsføring, serie av verktøy), mulig å utvide garantitiden ut over den perioden som er nevnt ovenfor ved bruk av registrering på nettstedet www.ryobitools.eu. Verktøyets garantiberegning vises klart i butikkene og/eller på emballasjen. Sluttbruker må registrere sitt nylig innkjøpte verktøy på nettet innen 8 dager etter kjøpsdatoen. Sluttbruker kan registrere seg for utvidet garanti i det landet hvor vedkommende bor hvis dette landet er ført opp på nettregistreringsskjemaet hvor dette alternativet er gyldig. Sluttbruker må også gi sin tillatelse til lagring av de data som er påkrevet å registrere på nettet, og må akseptere vilkår og betingelser. Registreringsbekreftelsen, som sendes som epost, og den originale kvitteringen som viser kjøpsdatoen, vil gjelde som bevis på den utvidede garantien. Dine lovbestemte rettigheter vil fortsatt gjelde.
3. Garantien gjelder alle defekter på produktet i garantitiden som følge av feil på arbeid eller materialer på kjøpsdatoen. Garantien er begrenset til reparasjon og/eller utskifting av produktet, og inkluderer ingen annen forpliktelse, inklusive men ikke begrenset til tilfeldige eller direkte eller indirekte følgeskader. Garantien gjelder ikke dersom produktet er misbrukt, brukt i strid med brukermanualens instruksjoner eller vært feilaktig tilkoblet. Denne garantien gjelder ikke:
 - enhver skade på produktet som følge av utilstrekkelig vedlikehold
 - et produkt som er endret eller modifisert
 - ethvert produkt hvor original identifikasjonsmerke (varemerke, serienummer) er tildekket, endret eller fjernet
 - enhver skade som følge av at instruksjoner i brukermanualen ikke er fulgt
 - ethvert ikke-CE-produkt
 - ethvert produkt som er forsøkt reparert av en ukvalifisert person, eller uten forutgående tillatelse av Techtronics Industries
 - ethvert produkt som er tilkoblet uriktig strømkilde (ampere, spenning, frekvens)
 - enhver skade forårsaket av eksterne påvirkninger (kjemiske, fysiske eller slag) eller fremmede substanser
 - normal slitasje på reservedeler
 - feilaktig bruk, overbelastning av verktøyet
 - bruk av ikke godkjent tilbehør eller reservedeler
 - forgasser etter 6 måneder, forgasserjusteringer etter 6 måneder
 - tilbehør til elektrisk verktøy, enten levert med verktøyet eller kjøpt separat. Slike unntak inkluderer men er ikke begrenset til skrutrekkerbits, bor, slipeskiver, sandpapir, og blader, sidestyrer
 - komponenter (deler og tilbehør) gjenstand for normal slitasje, inklusive, men ikke begrenset til karbonborster, chuck, elektrisk ledning, hjelpéhåndtak, slipeskiver, støvpose, støvuttrekkslange
4. For ettersyn og reparasjoner må produktet leveres til et RYOBI- autorisert servicesenter ført opp for det enkelte land i følgende liste av servicestasjonadresser. I noen land vil din lokale RYOBI-forhandler sørge for å sende produktet til RYOBI's serviceorganisasjon. Når et produkt sendes til en RYOBI servicestasjon må produktet være forsvarlig emballert uten farlig innhold som bensin, merket med senders navn og adresse og medsendt en kort beskrivelse av feilen.
5. En reparasjon/utskifting i henhold til denne garantien er gratis. Den representerer ikke en forlengelse av garantiperioden eller en ny start på garantiperioden. Utskiftede deler eller verktøy blir vår eiendom. I noen land vil leveringskostnader eller porto måtte betales av sender.
6. Denne garantien er gyldig i EU, Sveits, Island, Norge, Liechtenstein, Tyrkia og Russland. Utenfor disse områdene ber vi om at du kontakter en autorisert RYOBI-forhandler for å finne ut om en annen garanti gjelder.

AUTORISERT SERVICESENTER

For å finne et autorisert servicesenter i nærheten, gå til <http://no.ryobitools.eu/header/service-and-support/service-agents>.

RU ГАРАНТИЯ

В дополнение к законным правам, вытекающим из факта покупки, на данный продукт распространяются следующие гарантийные обязательства.

1. Гарантийный период составляет 24 месяца для покупателей и начинается с даты приобретения продукта. Дата приобретения подтверждается документально товарным чеком или другим доказательством покупки. Данный продукт предназначен для использования только в личных целях. Гарантия не предоставляется в случае профессионального или коммерческого использования данного продукта.
2. В некоторых случаях (например, при продвижении продукта, приобретении некоторых видов инструментов) возможно продление гарантийного срока при регистрации продукта на веб-сайте www.ryobitools.eu. Применимость продукта разъясняется в магазинах при продаже и/или на упаковке продукта. Конечному пользователю следует зарегистрировать вновь приобретенный инструмент через Интернет в течение 8 дней с даты покупки. Конечный пользователь может зарегистрировать продукт для получения расширенной гарантии в стране проживания, если данная возможность предоставляется интернет-формой регистрации. Также, конечный пользователь должен дать свое согласие на хранение данных, требуемых при заполнении формы через Интернет, и принять условия соглашения. Уведомление о подтверждении регистрации, отправляемое по электронной почте, и оригинальный товарный чек с датой покупки служат доказательством расширенной гарантии. Законные права потребителя при этом остаются в силе.
3. Данная гарантия распространяется на все дефекты продукта, связанные с производственным браком или браком материалов в момент приобретения, в течение гарантийного периода. Данная гарантия ограничивается ремонтом и/или заменой и не включает другие обязательства, в том числе, связанные с побочным или косвенным ущербом. Гарантия недействительна в случае ненадлежащего использования, использования с нарушением инструкций руководства по эксплуатации или неправильного подключения продукта. Гарантия недействительна, если:
 - повреждение продукта вызвано ненадлежащим техническим обслуживанием
 - продукт подвергся изменениям или был модифицирован
 - оригинальная маркировка (товарный знак, заводской номер) необработана, изменена или удалена
 - повреждение вызвано несоблюдением инструкций данного руководства
 - отсутствует маркировка CE
 - была попытка отремонтировать продукт неквалифицированным лицом или без предварительного согласования с компанией Techtronics Industries
 - продукт подключался к ненадлежащему источнику питания (неадекватная сила тока, напряжение, частота)
 - повреждение вызвано внешним воздействием (химические, физические, удары) или посторонними веществами
 - это связано с нормальным износом заменяемых деталей
 - это связано с ненадлежащим использованием, перегрузкой инструмента
 - это связано с использованием нерекондованных принадлежностей или деталей
 - карбюратор использовался свыше 6 месяцев, регулировка карбюратора после 6 месяцев
 - принадлежности для инструмента, поставляемые с инструментом или приобретаемые отдельно. В том числе, отверточные насадки, сверла, абразивные круги, наждачная бумага и шлифовальные полотна, боковая направляющая
 - компоненты (детали и принадлежности) подверженные естественному износу, в том числе, угольные щетки, зажимной патрон, кабель питания, дополнительная ручка, шлифовальная пластина, пылесборник, трубка отвода пыли
4. Для проведения технического обслуживания продукт следует представить в официальный центр технического обслуживания компании RYOBI в соответствии со списком по каждой стране. В некоторых странах дилерам компании RYOBI потребуется пересылка продукта в соответствующий сервисный центр компании RYOBI. При отправке продукта в центр технического обслуживания RYOBI, продукт следует упаковать надлежащим образом без содержания любых опасных веществ (таких как бензин) с указанием адреса отправителя и кратким описанием неисправности.
5. Ремонт/замена продукта по условиям данной гарантии осуществляются бесплатно. В данном случае не предусмотрено продление срока гарантии или начало нового гарантийного периода. Заменяемые детали или инструмент становятся собственностью компании. В некоторых странах оплата доставки и почтовые расходы ложатся на отправителя.
6. Данная гарантия действительна в странах ЕС, Швейцарии, Исландии, Норвегии, Лихтенштейне, Турции и России. Для получения информации о применении данной гарантии в других регионах обращайтесь к официальному дилеру компании RYOBI.

УПОЛНОМОЧЕННЫЙ СЕРВИСНЫЙ ЦЕНТР

Чтобы найти ближайший уполномоченный сервисный центр, обратитесь к веб-сайту <http://uk.ryobitools.eu/header/service-and-support/service-agents>

PL GWARANCJA

Oprócz wszelkich praw ustawowych wynikających z zakupu, ten produkt jest objęty gwarancją jak podano poniżej.

- Okres gwarancji wynosi 24 miesiące dla konsumentów i rozpoczyna się w dniu, w którym produkt został zakupiony. Ta data musi być udokumentowana przez fakturę lub inny dowód zakupu. Produkt został zaprojektowany i jest przeznaczony wyłącznie do użytku konsumenckiego i prywatnego. W związku z tym gwarancja nie jest udzielana w przypadku zastosowań profesjonalnych i komercyjnych.
- Nie ma, w niektórych przypadkach (promocja tj. zakres narzędzi), możliwość przedłużenia okresu gwarancji w okresie opisanym powyżej przy rejestracji na stronie internetowej www.ryobitools.eu. Kwalifikowalność narzędzia jest wyraźnie określona w sklepach oraz/lub na opakowaniu. Użytkownik końcowy musi zarejestrować swoje nowo zakupione narzędzia online w ciągu 8 dni od daty zakupu. Użytkownik końcowy może zarejestrować się w celu rozszerzenia gwarancji w swoim kraju zamieszkania, jeśli jest on wymieniony w formularzu rejestracji online, kiedy ta opcja jest ważna. Ponadto użytkownicy końcowi muszą wyrazić zgodę na przechowywanie danych, które są wymagane do zalogowania online oraz muszą zaakceptować regulamin. Otrzymanie potwierdzenia rejestracji, które jest wysyłane na adres e-mail oraz oryginalna faktura z podaną datą zakupu będą służyć jako dowód przedłużonej gwarancji. Twoje prawa ustawowe pozostają nienaruszone.
- Gwarancja obejmuje wszystkie wady produktu w okresie gwarancyjnym, spowodowane usterkami w wykonaniu lub materiale w chwili nabycia. Gwarancja jest ograniczona do naprawy oraz/lub wymiany i nie obejmuje żadnych innych obowiązków w tym m.in. odpowiedzialności za szkody przypadkowe lub wtórne. Gwarancja nie jest ważna, jeśli produkt był użytkowany w niewłaściwy sposób, był wykorzystywany w sposób niezgodny z instrukcją obsługi lub był nieprawidłowo podłączony. Ta gwarancja nie obejmuje:
 - uszkodzenia produktu, które jest wynikiem nieprawidłowej konserwacji
 - produktu, który został przerobiony lub zmodyfikowany
 - produktu, w którym znieskształcono, zmieniono lub usunięto oryginalne oznaczenia (nazwę handlową, numer seryjny)
 - uszkodzeń spowodowanych nieprzestrzeganiem instrukcji obsługi
 - produktu bez certyfikatu CE
 - produktu, który był naprawiany przez niewykwalifikowaną osobę lub bez uprzedniej autoryzacji firmy Technonic Industries
 - produktu podłączonego do nieprawidłowego źródła zasilania (napięcie, napięcie, częstotliwość)
 - uszkodzeń spowodowanych przez czynniki zewnętrzne (chemiczne, fizyczne, uderzenia) lub obce substancje
 - normalnego zużycia części zamiennych
 - niewłaściwego użytkowania, przeciążenia narzędzia
 - stosowania niezatwierdzonych akcesoriów lub części
 - gaźnika po 6 miesiącach, regulacji gaźnika po 6 miesiącach
 - akcesoriów do elektronarzędzi dostarczonych z narzędziem lub zakupionych osobno. Takie wykluczenia obejmują m.in. bity śrubokręta, wiertła, tarcze ściernie, papier ścierny i ostrza, prowadnicę ukośną
 - elementów (części i akcesoriów) podlegających naturalnemu zużyciu, w tym m.in. szczerok, uchwyty, przewodu zasilającego, dodatkowego uchwyty, tarczy ściernie, torby na pył, przewodu wyrzutu pyłu
- W celu serwisowania produkt należy wysłać lub okazać w autoryzowanym centrum serwisowym RYOBI wymienionym dla każdego kraju na poniższej liście adresów stacji serwisowych. W niektórych krajach lokalny dealer firmy RYOBI zobowiązuje się wysłać produkt do centrum serwisowego firmy RYOBI. W przypadku wysyłki produktu do centrum serwisowego RYOBI, produkt należy dobrze zapakować, bez umieszczenia żadnych niebezpiecznych rzeczy, tj. paliwa i oznaczyć adresem nadawcy oraz krótkim opisem usterki.
- Naprawa/wymiana w ramach tej gwarancji jest bezpłatna. Nie stanowi to przedłużenia lub nowego rozpoczęcia okresu gwarancji. Wymieniane części lub narzędzia stają się naszą własnością. W niektórych krajach koszty wysyłki lub pocztowe będą musiały być opłacone przez nadawcę.
- Ta gwarancja obowiązuje na terytorium Wspólnoty Europejskiej, Szwajcarii, Islandii, Norwegii, Liechtenstein, Turcji i Rosji. Poza tymi obszarami należy skontaktować się z autoryzowanym dealerm RYOBI aby sprawdzić, czy dostępna jest jeszcze inna gwarancja

AUTORYZOWANY PUNKT SERWISOWY

Najbliższy autoryzowany punkt serwisowy można wyszukać w witrynie internetowej <http://uk.ryobitools.eu/header/service-and-support/service-agents>.

CS ZÁRUKA

Navíc k zákonným právům, které vznikají nákupem, je k výrobku poskytována záruka.

- Záruka je období 24 měsíců pro spotřebitele a začíná běžet datem nákupu produktu. Toto datum musí být zadokumentováno fakturou nebo jiným důkazem o koupi. Tento výrobek je určen a vyhrazen jen pro domácí a soukromé používání. Záruka se tedy neposkytuje pro profesionální ani komerční používání.
- Existuje, v některých případech (tj. propagace, určité nástroje), možnost prodloužení doby záruky nad výše uvedené období pomocí registrace na stránkách www.ryobitools.eu. Vhodnost nástroje je jasně vyobrazena v prodejních a/nebo na obalu. Koncový uživatel musí zaregistrovat své nově pořízené nástroje online během 8 dní od data nákupu. Koncový uživatel se může zaregistrovat k prodloužení doby záruky v zemi jeho trvalého bydliště, pokud je uvedeno v online registračním formuláři, kde je tato možnost platná. Navíc musí koncový uživatel poskytnout souhlas s uchováním údajů, které jsou zapotřebí do online registru a musí přijmout podmínky smlouvy. Přijetí potvrzení o registraci, odeslané e-mailem, a originální faktura udávající datum nákupu slouží jako důkaz prodloužené záruky. Vaše zákonná práva zůstávají nedotčena.
- Záruka pokrývá veškeré vady produktu během záruky způsobené vadami při zpracování nebo v materiálu v době nákupu. Záruka se omezuje na opravu a/nebo výměnu a nezahnuje žádné jiné závazky včetně, ale ne omezeně na související nebo následné škody. Záruka neplatí, pokud, pokud se produkt nesprávně používal, používal v rozporu s návodem nebo byl nesprávně zapojen. Záruku nelze uplatnit v následujících případech:
 - jakákoliv škoda na výrobku v důsledku nesprávné údržby
 - jákykoliv výrobek byl pozměněn či modifikován
 - jákykoliv výrobek, kde byly původní identifikační značky (obchodní značka, výrobní číslo) odstraněny, pozměněny či modifikovány
 - jakákoliv škoda způsobená nedodržením návodu k obsluze
 - výrobek nemá značku CE
 - každý výrobek, kde došlo k pokusu jej opravit nequalifikovanou osobou nebo bez předchozího souhlasu společnosti Technonic Industries
 - každý výrobek byl připojen nesprávnému napájení (proud, napětí, frekvence)
 - každý výrobek, který se používal s nesprávnou palivovou směsí (palivo, olej, podíl oleje)
 - běžné opotřebení a spotřební náhradní díly
 - nehodné používání, přetěžování nástroje
 - použití neschválených doplňků nebo dílů
 - karburátor po 6 měsících, seřízení karburátoru po 6 měsících
 - doplňky elektrických nástrojů dodaných s nástrojem či zakoupených zvlášť. Takové výjimky, včetně, ale ne omezených na, nástavce šroubováku, vrtáky, brusné kotouče, brusný papír a nože, příčné vedení
 - komponenty (díly a doplňky) podléhající běžnému opotřebení a spotřebě, včetně, ale ne omezeně, uhlikových kartáčů, sklířidla, síťového kabelu, doplňkové rukojeti, brusné desky, vaku pro prach, odsávací trubky prachu
- Pro servis výrobku je třeba zaslat nebo předložit pověřenému servisnímu středisku RYOBI dle seznamu adres servisních středisek. V některých zemích váš místní prodejce RYOBI provádí odeslání výrobku servisní organizaci RYOBI. Při zaslání výrobku servisnímu středisku RYOBI by se měl výrobek bezpečně zabalit bez nebezpečného obsahu jako benzín, označit adresou odesílatele a přiložit list krátkým popisem vady.
- Oprava/výměna během záruky je bezplatná. Neznaменá prodloužení ani začátek nového záručního období. Vyměněné díly či nástroje se stávají naším vlastnictvím. V některých zemích doručení či poštovné platí odesílatele.
- Záruka je platná v Evropské unii, Švýcarsku, Islandu, Norsku, Lichtenštejnsku, Turecku a Rusku. U ostatních oblastí prosím kontaktujte pověřeného prodejce RYOBI pro upřesnění, zda platí jiná záruka.

POVĚŘENÉ SERVISNÍ STŘEDISKO

Pro nalezení nejbližšího pověřeného servisního střediska navštivte <http://uk.ryobitools.eu/header/service-and-support/service-agents>.

HU GARANCIA

A vásárlással összefüggő esetleges törvényi adta jogok mellett a termékre az alábbiakban részletezett garancia vonatkozik.

1. A garancia időtartama a fogyasztók számára 24 hónap, ami a termék megvásárlásának napjától számítódik. Ezt a dátumot számlával vagy a vásárlást igazoló más dokumentummal kell igazolni. A terméket kizárólag a vevő állítai, személyes célokra való használatra tervezték és készítették. Ezért a garancia nem vonatkozik a profik általi vagy üzleti célokra való használatra.
2. Egyes esetekben (pl. promóció, bizonyos termékcsaládok) lehetőség van a garancia időtartamának a fent leírt garanciaperióduson túli meghosszabbítására a www.ryobitools.eu webhelyen történő regisztrációval. Az, hogy egy adott gép jogosult-e erre, egyértelműen fel van tüntetve a boltokban és/vagy a csomagoláson. A végfelhasználónak a vásárlás napjától számított 8 napon belül regisztrálnia kell az újonnan beszerzett gépet. A végfelhasználó a kiterjesztett garanciáért a lakóhelye szerinti országban regisztrálhat, ha az szerepel az online regisztrációs űrlapon. Emellett a végfelhasználónak hozzá kell járulnia az online belépéshez szükséges adatai tárolásához és el kell fogadnia a szerződési feltételeket. A regisztráció e-mailben küldött visszaigazolása, valamint a vásárlást igazoló eredeti számla szolgálnak a kiterjesztett garancia érvényesítésére. A törvény adta jogai nem sérülnek.
3. A garancia a garancia időtartama alatt a termék összes olyan hibájára kiterjed, amelyek a vásárlás napján is fennálló gyártási vagy anyaghiba miatt következnek be. A garancia javításra és/vagy cserére korlátozódik, és nem tartalmaz további kötelezettséget, beleértve, de nem kizárólag a véletlenszerű vagy következetes károka vonatkozó kötelezettségeket sem. A garancia nem érvényes a termék helytelen használatára, a használati utasításban leírtakkal ellentétben használatára vagy hibás csatlakoztatás esetén. A garancia nem vonatkozik a következőkre:
 - a termék helytelen karbantartásból eredő esetleges károsodásokra
 - átalakított vagy módosított termékekre
 - olyan termékre, melyen az eredeti azonosító jelöléseket (védjegy, sorozatszám) megrongálták, átalakították vagy eltávolították
 - a használati utasítás be nem tartásával összefüggő károka
 - a CE minősítéssel nem rendelkező termékekre
 - a nem képzett szakember által vagy a Techtronic Industries előzetes jóváhagyása nélkül javított termékre
 - a nem megfelelő tápforrásokhoz (áramerősség, feszültség, frekvencia) csatlakoztatott termékre
 - külső hatások (vegyi, fizikai, ütés) vagy idegen anyagok által okozott károsodásokra
 - a cserealkatrészek normál kopására és elhasználódására
 - helytelen használatra, a szerszám túlterhelésére
 - nem jóváhagyott tartozékok vagy alkatrészek használatára
 - a karburátorra 6 hónap elteltével, a karburátor beállítására 6 hónap elteltével
 - a szerszámgéphez mellékelt vagy külön megvásárolt szerszámgépek tartozékaira. A kizárások közé tartoznak még, de nem kizárólag, a csavarhúzó bitek, fűrészékek, csiszolókorongok, csiszolópapírok és korongok, oldalsó vezetők
 - természetesen elhasználódásnak és kopásnak kitett összetevőkre (alkatrészek és tartozékok), beleértve, de nem kizárólag a szénkeféket, tokmányokat, tápkábeleket, kiegészítő fogantyúkat, csiszolólapokat, porzsákokat, porkifúvó csöveket.
4. A szervizeléshez a terméket el kell küldeni vagy be kell mutatni valamelyik hivatalos RYOBI szervizközpontban, melyek elérhetősége az egyes országokban az alábbiakban van megadva. Egyes országokban a RYOBI kereskedő vállalja, hogy elküldi a terméket a RYOBI szervizbe. A terméknek a RYOBI szervizállomásra való küldésekor a terméket biztonságosan be kell csomagolni, mindenféle veszélyes anyagot, pl. üzemanyagot el kell távolítani belőle, meg kell adni a feladó címét és a hiba rövid leírását.
5. A garancia keretében végzett javítás/cseréje ingyenes. Ugyanakkor ez nem jelenti a garancia időtartamának kiterjesztését vagy új garanciaperiódus kezdetét. A kicsereált alkatrészek vagy szerszámgépek a mi tulajdonunkban maradnak. Egyes országokban a szállítási vagy a postaköltségeket a feladó fizeti.
6. Ez a garancia az Európai Közösségben, Svájcban, Izlandon, Norvégiában, Liechtensteinben, Törökországban és Oroszországban érvényes. Ezen területeken kívül az érvényes garancia-feltételeket illetően lépjen kapcsolatba a hivatalos RYOBI forgalmazóval.

HIVATALOS SZERVIZKÖZPONT

A legközelebbi hivatalos szervizközpont megtalálásához látogasson el a <http://uk.ryobitools.eu/header/service-and-support/service-agents>.

RO GARANȚIE

În plus față de alte drepturi statutare rezultând din achiziție, produsul este acoperit de o garanție ca cea menționată mai jos.

1. Perioada de garanție este de 24 de luni pentru consumatorii și începe de la data la care produsul a fost achiziționat. Această dată trebuie să fie dovedită de o factură sau altă dovadă de cumpărare. Produsul este proiectat și dedicat pentru consumator și doar pentru uz privat. Ca urmare nu există nicio garanție asigurată în caz de folosire profesională sau comercială.
2. Există, în anumite cazuri (de ex. promoții, game de produse) o posibilitate de a prelungi perioada de garanție peste perioada descrisă mai sus folosind înregistrarea pe site-ul www.ryobitools.eu. Eligibilitatea aparatului este afișată clar în magazine și/sau ambalaj. Utilizatorul final se poate înregistra pentru o garanție extinsă în țara sa de reședință dacă e listată pe formularul de înregistrare online acolo unde opțiunea este validă. Mai mult, utilizatorii finali trebuie să-și dea consimțământul cu privire la păstrarea datelor ce sunt cerute a fi introduse online și trebuie să accepte termenii și condițiile. Notificarea de confirmare a înregistrării, ce este trimisă prin email, și factura originală ce arată data achiziționării vor servi ca dovadă a garanției extinse. Drepturile dvs statutare rămând neafectate.
3. Garanția acoperă toate defectele produsului în timpul perioadei de garanție cauzate de defecte din procesul de producție sau ale materialului la data achiziționării. Garanția este limitată la reparație și/sau înlocuire și nu include alte obligații incluzând dar nelimitându-se la pagube incidentale sau secundare. Garanția nu este validă dacă produsul a fost folosit greșit, folosit contrar instrucțiunilor din manual sau a fost conectat incorect. Această garanție nu se aplică la:
 - orice defecțiune a produsului ca rezultat a întreținerii necorespunzătoare
 - orice produs ce a fost schimbat sau modificat
 - orice produs unde marcajul original de identificare (marcă comercială, număr serie) a fost deteriorat, schimbat sau modificat
 - orice defecțiune cauzată de nerespectarea manualului de instrucțiuni
 - orice produs non CE
 - orice produs care a fost încercat să fie reparat de către o persoană necalificată sau fără autorizare în prealabil de către Techtronic Industries
 - orice produs conectat necorespunzător la sursa de curent (amperi, voltaj, frecvență)
 - orice defecțiune cauzată de influențe externe (chimice, fizice, șocuri) sau substanțe străine
 - uzura normală a pieselor de schimb
 - folosire necorespunzătoare, suprasolicitare a sculei
 - folosire de accesorii și părți neaprobate
 - carburator după 6 luni, reglări ale carburatorului după 6 luni
 - accesoriile sculelor de putere furnizate cu scula sau achiziționate separat. Asemenea excluderi includ dar nu se limitează la capete de surbubiniță, burghie, discuri abrazive, smirgheluri, discuri de șlefuit, ghid lateral
 - componente (părți și accesorii) subiect a uzurii naturale, incluzând dar nelimitându-se la perii de carbon, mandrine, cablu electric, mâner auxiliar, placă de șlefuit, sac pentru praf, tub de evacuare praf
4. Pentru servicii, produsul trebuie să fie trimis sau prezentat la un punct de service RYOBI autorizat listat pentru fiecare țară în următoarea listă cu adrese ale punctelor de service. În anumite țări reprezentantul dvs local RYOBI se angajează să trimită produsul la un punct de service RYOBI. Atunci când se trimite un produs la un punct de service RYOBI, produsul trebuie să fie împachetat cu grijă fără a conține produse periculoase precum benzină, marcat cu adresa expeditorului și însoțit de o scurtă descriere a defecțiunii.
5. Repararea/înlocuirea în timpul garanției este fără niciun cost. Nu constituie o prelungire sau un nou început a perioadei de garanție. Părțile sau aparatele schimbate devin proprietatea noastră. În anumite țări taxele de expediere trebuie să fie plătite de către expeditor.
6. Garanția este valabilă în Uniunea Europeană, Elveția, Islanda, Norvegia, Liechtenstein, Turcia și Rusia. În afara acestor zone, vă rugăm contactați reprezentantul dvs local autorizat RYOBI pentru a determina dacă se aplică altă garanție.

CENTRU DE SERVICE AUTORIZAT

Pentru a găsi un centru de service autorizat lângă dvs., vizitați <http://uk.ryobitools.eu/header/service-and-support/service-agents>.

LV GARANTĪJA

Papildus visām likumā paredzētajām tiesībām saistībā ar iegādi šim izstrādājumam ir turpinājumā izklāstītā garantija.

- Garantijas periods patērētājiem ir 24 mēneši, un tas sākas izstrādājuma iegādes dienā. Šim datumam ir jābūt dokumentētam rēķinā vai citā iegādi apliecinošā dokumentā. Šis izstrādājums ir izgatavots un paredzēts vienīgi patērētājam un privātai lietošanai. Profesionālas vai komerciālas lietošanas gadījumā garantija nav spēkā.
- Atsevišķos gadījumos (piem., akcija, vairāki instrumenti) pastāv iespēja pagarināt garantijas periodu virs šeit minētā perioda, reģistrējot to www.ryobitools.eu vietnē. Instrumenta pielietojums ir skaidri norādīts veikalos un/vai uz iepakojuma. Lietotājiem ir jāreģistrē savi jauniegūtie instrumenti tiešsaistē 8 dienu laikā no iegādes datuma. Lietotājs var reģistrēties pagarinātajai garantijai savā dzīvesvietas valstī, ja tā ir norādīta tiešsaistes reģistrācijas veidlapā, kur pieejama šī iespēja. Turklāt lietotājiem ir jāievada dati tiešsaistē, jādod piekrišana šo datu uzglabāšanai un jāpiekrīt noteikumiem. Saņemtais reģistrācijas apstiprinājums, kas izsūtīts pa e-pastu, un rēķina oriģināls, kurā redzams iegādes datums, ir pagarinātās garantijas pierādījums. Jūsu likumā paredzētās tiesības netiek ietekmētas.
- Garantija attiecas uz visiem izstrādājuma bojājumiem, kas radušies garantijas perioda laikā iegādes dienā esošo izgatavošanas vai materiāla defektu dēļ. Garantija ir ierobežota līdz remontam un/vai nomaigai un neietver citus pienākumus, ieskaitot, bet neaprobežojoties ar nejausiem vai netiešiem zaudējumiem. Garantija nav spēkā, ja izstrādājums ir liets nepareizi vai neievērojot rokasgrāmatas norādījumus vai ticis nepareizi savienots. Garantija netiecas uz:
 - izstrādājuma bojājumiem, kas radušies nepareizas apkopes dēļ;
 - izstrādājumiem, kas tikusi pielāgoti vai pārveidoti;
 - izstrādājumiem, kuru oriģinālais identifikācijas marķējums (preču zīme, sērijas numurs) ticis sabojāts, pārveidots vai noņemts;
 - bojājumiem, kurus izraisījis rokasgrāmatas norādījumu neievērošana;
 - izstrādājumiem bez CE marķējuma;
 - izstrādājumiem, kurus ir mēģinājis remontēt nekvalificēts speciālists vai kuri remontēti bez Techronic Industries atļaujas;
 - izstrādājumiem, kas tikusi pievienoti neatbilstoši energopadevei (apmēri, spriegums, frekvence);
 - bojājumiem, kurus izraisījis ārēja iedarbība (ķīmiska, fiziska, triecieni) vai svešas vielas;
 - normālu detaļu nolietojumu un nodilumu;
 - instrumenta nepareizu lietošanu, pārslodzi;
 - neapstiprinātu detaļu un piederumu lietošanu;
 - karburatoru pēc 6 mēnešiem, karburatoru regulējumiem pēc 6 mēnešiem;
 - elektroinstrumenta piederumiem, kas piegādāti kopā ar instrumentu vai iegādāti atsevišķi. Šie izņēmumi ietver, bet neaprobežojas ar skrūvgriežu uzgaliem, urbja uzgaliem, abrazīvajiem diskkiem, smilšpapīru, asmeņiem un sānu vadotni;
 - komponentiem (detaļām un piederumiem), kas ir pakļauti dabiskam nodilumam un nolietojumam, ietverot, bet neaprobežojoties ar oglekļa sukām, patronu, elektrības vadu, palīgrokturi, stiprēšanas loksnī, putekļu maisu un putekļu izvades cauruli.
- Ja nepieciešams veikt remontu, izstrādājums jānosūta vai jānodod RYOBI pilnvarotam servisa centram, kas norādīts pie attiecīgās valsts servisa centru adresu sarakstā. Atsevišķs valsts vietējais RYOBI filiāris uzņemas nosūtīt izstrādājumu RYOBI servisa organizācijai. Nosūtīt izstrādājumu RYOBI servisa centram, izstrādājumam jābūt droši iepakotam bez bīstama satura, piemēram, degvielas, marķētam ar sūtītāja adresi un kopā ar isu aprakstu par defektu.
- Remonts/nomaiga šīs garantijas ietvaros ir bez maksas. Tas nepagarina un neuzsāk jaunu garantijas periodu. Nomainītās detaļas un instrumenti nonāk mūsu īpašumā. Atsevišķs valsts piegādes maksa un pasta izdevumi jāsedz sūtītājam.
- Šī garantija ir derīga Eiropas Kopienā, Šveicē, Islandē, Norvēģijā, Lichtenšteinā, Turcijā un Krievijā. Ārpus šiem reģioniem, lūdzu, sazinieties ar savu pilnvaroto RYOBI dīleri, lai noskaidrotu, vai ir spēkā cita garantija.

AUTORIZĒTAS APKALPOŠANAS CENTRS

Lai atrastu tuvāko autorizēto apkalpošanas centru, apmeklējiet <http://uk.ryobitools.eu/header/service-and-support/service-agents>.

LT GARANTĪJA

Be įstatymais nustatyti teisių, įgyjamų nusipirkus šį produktą, produktui taikoma toliau nurodyta garantija.

- Pirkėjams galiojantis garantinis periodas yra 24 mėnesiai ir prasideda nuo produkto pirkimo datos. Data turi būti nurodyta sąskaitoje-faktūroje arba kitame pirkimą įrodančiame dokumente. Produkta sukurtas ir skirtas tik naudojimui ir tik asmeniniam naudojimui. Todėl garantija netaikoma produktą naudojan profesionaliai ar komerciniams tikslais.
- Kai kuriais atvejais yra galimybė pratęsti garantinį laikotarpį iki toliau nurodyto laikotarpio, prieš tai užsiregistravus www.ryobitools.eu svetainėje. Įrankio tinkamumo aiškiai parodytas parduotuvėse ir (arba) ant pakuotės. Galutinis naudotojas turi užregistruoti savo naujai įsigytus įrankius internetu per 8 dienas nuo jų pirkimo datos. Galutinis naudotojas gali užsiregistruoti dėl garantijos pratęsimo savo šalyje, jei ši pateikta registracijos internetu formoje, kurioje galimas šis pasirinkimas. Be to, galutiniai naudotojai privalo duoti savo sutikimą laikyti duomenis, kuriuos reikia įvesti internete, ir jie turi sutikti su sąlygomis ir nuostatomis. Registracijos patvirtinimo pranešimas, išsiunčiamas el. paštu, ir originali sąskaita faktūra, kurioje nurodyta pirkimo data, įrodo pratęsta garantiją. Jūsų įstatymuose nustatytiems teisams nebūs pakenkta.
- Garantiniui laikotarpiui garantija taikoma visiems produkto trūkumams, atsiradusiems dėl prastos darbo kokybės arba prastų produkto medžiagų pirkimo diena. Garantija taikoma tik taisymui ir (arba) pakeitimui ir joje nenumatyti jokie kiti įsipareigojimai, įskaitant, bet neapsiribojant atsitiktine ar susijusia žala. Garantija negalioja produktą netinkamai naudojan, priešingai vadove nurodytoms instrukcijoms, arba netinkamai prijungus. Garantija netaikoma šiais atvejais:
 - produktui padarytai žalai netinkamai atliekant produkto techninę priežiūrą;
 - pakeistam arba modifikuotam produktui;
 - bet kokiems produktams, kurių originalios identifikacijos (prekės ženklas, serijos numeris) žymės buvo sugadintos, pakeistos ar pašalintos;
 - bet kokiai žalai, patirtai nesaikant naudojimo vadovo;
 - bet kokiam CE nepaženklintam produktui;
 - bet kokiam produktui, kurį bandė taisyti nekvalifikuotas specialistas, arba iš anksto negavus „Techronic Industries“ leidimo;
 - bet kokiam produktui, įjungtam į netinkamą maitinimo tinklą (amperai, įtampa, dažnis);
 - bet kokiai žalai, kilusiai dėl išorinio poveikio (cheminis, fizinis poveikis, smūgiai) arba pašalinių medžiagų;
 - įprastam atsarginių dalių dėvėjimuisi;
 - produktą netinkamai naudojan arba jį perkrovus;
 - naudojan nepatvirtintus priedus arba dalis;
 - karbiuratoriu po 6 mėnesių, karbiuratoriaus reguliavimui po 6 mėnesių;
 - elektrinio įrankio priedams, pateiktiems kartu su įrankiu ar pirktiems atskirai; Prie tokių išimčių priskaitomi, neapsiribojant, atsuktuvu antgaliai, gražto antgaliai, abraziviniai diskai, švitinis popierius ir asmenys, šoninis kreiptuvas;
 - komponentai (dalis ir priedai), kurie dėvėsi savaime, įskaitant, bet neapsiribojant anglies šepetėliais, griebtuvu, maitinimo laidu, papildoma rankena, šlifavimo plokštė, dulkių maišeliu, dulkių išmetimo vamzdeliu.
- Norint atlikti techninį aptarnavimą, produktą reikia nusiųsti arba pristatyti į vieną iš RYOBI įgaliotų techninio aptarnavimo punktų, esančių kiekvienoje šalyje toliau pateiktame aptarnavimo punktų adresu sąrašė. Kai kuriose šalyse Jūsų vietinis RYOBI pardavėjas gali nusiųsti produktą į RYOBI techninio aptarnavimo punktą. Siunčiant produktą į RYOBI techninio aptarnavimo punktą, produktą reikia saugiai supakuoti, prieš tai iš jo pašalinus pavojingas medžiagas, pavyzdžiui, benzina, nurodyti siuntėjo adresą ir pridėti trumpą gedimo aprašymą.
- Pagal šią garantiją taisymo ar keitimo darbai atliekami nemokamai. Garantijoje nenumatytas garantijos pratęsimas ar naujo garantinio laikotarpio pradėjimas. Pakeistos dalys arba įrankiai tampa mūsų nuosavybe. Kai kuriose šalyse pristatymo ar siuntimo paštu išlaidas turi padengti siuntėjas.
- Ši garantija taikoma Europos bendrijoje, Šveicarijoje, Islandijoje, Norvegijoje, Lichtenšteine, Turkiijoje ir Rusijoje. Kitose šalyse kreipkitės į savo įgaliotą RYOBI pardavėją, norėdami sužinoti, ar taikoma kita garantija.

ĮGALIOTAS TECHNINĖS PRIEŽIŪROS CENTRAS

Jei norite surasti įgaliotą techninės priežiūros centrą netoli Jūsų, apsilankykite interneto svetainėje <http://uk.ryobitools.eu/header/service-and-support/service-agents>.

ET GARANTII

Lisaks ostu puhul kaasnevate seadusjärgsetele õigustele kehtib tootele allpool esitatud tingimustega garantii.

1. Ostja poolt ostetud tootele on kehtestatud garantiiperiood 24 kuud ja see hakkab kehtima toote ostmise kumpäeval. See kupaäev on märgitud arvel või muule ostu tõendavale dokumendile. Toode on ette nähtud ostjale ainult isiklikeks kasutamiseks. Kui toodet kasutatakse ametialastel või ärilistel eesmärkidel, siis garantii ei kehti.
2. Mõnel juhul (nt reklaam, seadmete seeria) on võimalik pikendada garantiiperioodi pikemaks ajaks kui ülal mainitud, kui kasutatakse registreerimise veebisaidil www.ryobitools.eu kaudu. Registreerimise tingimused on välja pandud kauplustesse ja/või on pakendil. Lõppkasutaja peab oma uued tööriistad veebis registreerima 8 päeva jooksul alates ostukuupäevast. Lõppkasutaja võib registreerida end pikendatud garantiiks oma asukohamaal, kui see on esitatud veebis registreerimise loendis, seal kus see valik on olemas. Peale selle, lõppkasutajad peavad andma nõusoleku enda andmete salvestamiseks, mida vajatakse veebi siseneamiseks ja nõustuma esitatud tingimustega. Pikendatud garantii kehtivust tõendab e-postiga saadetud registreerimise kinnitusteade ja algupärane arve, millel on ostukuupäev. Teie seadusjärgsed õigused jäävad mõjutamata.
3. Garantii kehtib kõikide ostukuupäevast kehtima hakkaval garantiiperioodil ilmnenuid rikete suhtes, mis on tingitud töötlemis- või materjalvigadest. Garantii on piiratud remondi ja/või asendamisega ja ei sisalda muid kohustusi, kuid mitte ainult, kaasneva või tuleneva kahju eest. Garantii ei kehti, kui toodet on väärasutatud, kasutusjuhendis nimetatud otstarbele mittevastavalt kasutatud või toode on ebaõigesti ühendatud. See garantii ei rakendu järgmistel juhtudel:
 - tootel on mingi vigastus, mis on põhjustatud ebaõigest kasutamisest,
 - toodet on mingil viisil ümber ehitatud või muudetud,
 - toote algupärane tuvastusmarkeerung (kaubamärk, seerianumber) on kahjustatud, ümber tehtud või eemaldatud,
 - tootel on mingi vigastus, mis on tingitud kasutusjuhendi mittejälgimisest,
 - toode ei ole CE-märgisega,
 - toodet on püüdnud parandada ebapädev spetsialist või seda on tehtud ilma Techtronic Industries volitusteta,
 - toode on ühendatud selleks mitteettnähtud elektritoitevõrguga (väär voolu tugevus, pinge või sagedus),
 - tootel on vigastus välismõjudest (keemilised või füüsilised mõjud või löögid),
 - toote varuosadel ilmneb tavapärase kulumine,
 - toodet on ebaõigesti kasutatud või üle koormatud,
 - tootel on kasutatud mitteettnähtud tarvikuid või osi,
 - toote karburaator pärast 6 kuu möödumist, toote karburaatori sätteid pärast 6 kuu möödumist,
 - ajamiga tööriista tarvikud, mis tarnitakse koos tööriistaga või on ostetud eraldi. See välistab hõlmab, kuid mitte ainult, kruvikeeraja otsakuid, puure, abrasiivõikeketaid, lihvpaperit, lihvketaid ja lõikeketaid, küljühikut,
 - toote koosteosadel (osad ja tarvikud) ilmneb tavapärase kulumine järgmistel detailidel (kuid mitte ainult): süsinikharjad, puuripadrud, toitejuhe, lisakäepide, lihvplaat, tolmuokut, tolmua ärastamistoru.
4. Hooldamiseks tuleb toode saata või tuua mõnda RYOBI volitatud hoolduspunkti, mis on esitatud loendis iga riigi jaoks ja milles on hoolduspunkti aadressid. Mõnes riigis kohustub RYOBI edasimüüja saatma toote RYOBI hooldusasutusse. Kui toode saadetakse RYOBI hooldusasutusse, tuleb toode turvaliselt ära pakkida ilma, et sellesse jääks ohtlikku sisu, näiteks bensiin ja pakendile tuleb märkida saatja aadress ja rikke lühikirjeldus.
5. Selle garantii alusel tehtud remont/asendus on tasuta. Sellega ei kaasne garantiiperioodi pikenedmine või uue garantiiperioodi algus. Asendatud osad ja tööriistad jäävad meie omandusse. Mõnes riigis tuleb saate- või postikulud tasuda saatja poolt.
6. See garantii kehtib Euroopa Liidus, Šveitsis, Islandil, Norras, Liechtensteinis, Türgis ja Venemaal. Väljaspool neid riike võite ühendust Ryobi volitatud edasimüüjaga, et teada saada teistsuguste garantiide kehtivus.

VOLITATUD HOOLDUSKESKUS

Oma volitatud hoolduskeskuse leiate veebisaidilt <http://uk.ryobitools.eu/header/service-and-support/service-agents>.

HR JAMSTVO

U dodatak svih zakonskih prava koja proizlaze kao rezultat kupnje, ova proizvod pokriven je jamstvom kao što je utvrđeno u nastavku.

1. Jamstveno razdoblje je 24 mjeseca za korisnike, a započinje na datum kupnje proizvoda. Ovaj datum treba biti dokumentiran računom ili nekim drugim dokazom o kupnji. Proizvod je dizajniran i namijenjen samo za korisnike i osobno korištenje. Stoga nema omogućenog jamstava u slučaju profesionalnog ili komercijalnog korištenja.
2. U nekim slučajevima (primjerice promocije, paleta alata) postoji mogućnost produljenog jamstvenog razdoblja preko gore navedenog razdoblja korištenjem registracije na web mjestu www.ryobitools.eu. Sukladnost alata jesno je prikazana u trgovini i/ili na pakiranju. Krajnji korisnik treba registrirati svoje novo pribavljene alate na mreži unutar 8 dana od datuma kupnje. Krajnji korisnik može se registrirati za produljeno trajanje jamstva u svojoj zemlji stanovanja ako je navedena na mrežnom obrascu za registraciju gdje je ova opcija valjana. Nadalje, krajnji korisnici moraju dati svoje odobrenje za spremanje podatka koji su potrebni za unos na mreži i moraju prihvatiti uvjete i odredbe. Primitak potvrde o registraciji, koja se šalje e-poštom i originalni račun koji prikazuje datum kupnje služe kao dokaz produljenog jamstva. Vaša zakonska prava ostaju nepromijenjena.
3. Jamstvo pokriva sve kvarove proizvoda tijekom jamstvenog razdoblja zbog pogreški u izradi ili materijalu na datum kupnje. Jamstvo je ograničeno na popravak i/ili zamjenu i ne uključuje nikakve druge obveze uključujući no ne ograničavajući se na slučajne ili posljedične štete. Jamstvo nije valjano ako je proizvod pogrešno korišten, korišten suprotno od korisničkog priručnika ili je nepravilno priključen. Ovo jamstvo se ne primjenjuje na:
 - svako oštećenje proizvoda koje je rezultat nepravilnog održavanja
 - svaki proizvod koji je izmijenjen ili modificiran
 - svaki proizvod gdje su originalne identifikacijske oznake (zaštitni znak, serijski broj) izbrisane, zamijenjene ili uklonjene
 - svako oštećenje uzrokovano neprikladnim korištenjem korisničkog priručnika
 - svaki proizvod koji nije CE
 - svaki proizvod koji je pokušao popraviti neovlašten profesionalac ili bez prethodnog odobrenja od strane Techtronic Industries
 - svaki proizvod priključen na nepravilno napajanje energijom (amperi, napon, frekvencija)
 - svako oštećenje uzrokovano vanjskim utjecajima (kemijsko, fiziko, udar) ili stranim stvarima
 - normalno trošenje i habanje rezervnih dijelova
 - nepravilno korištenje, preopterećenje alata
 - korištenje neodobrenog dodatnog pribora ili dijelova
 - rasplinjača nakon 6 mjeseci, podešavanje rasplinjača nakon 6 mjeseci
 - Dodatni pribor aku-alata koji je omogućen s atomom ili kupljen zasebno. Ovakva izuzeća uključuju no ne ograničavaju se na svrdla za odvijanje, svrdla za brušenje, brusne diskove, papir za brušenje i oštrice, poprečne vodilice
 - Komponente (dijelovi i dodatni pribor) koji su predmet prirodnog trošenja i habanja, uključujući no ne ograničavajući se na ugljične četke, glave, kabel za napajanje, pomoćnu ručku, ploču za brušenje, vrećicu za prašinu, cijev za izbacivanje prašine
4. Za servisiranje, proizvod se mora poslati ili predati ovlaštenoj stanici za servis tvrtke RYOBI navedenoj za svaku zemlju u sljedećem popisu adresa stanica za servis. U nekim zemljama vaš lokalni RYOBI zastupnik obavezan je poslati proizvod u servisnu organizaciju tvrtke RYOBI. Priklonom slanja proizvoda u stanicu za servis tvrtke RYOBI, proizvod treba biti sigurno pakiran bez ikakvog opasnog sadržaja poput benzina, s označenom adresom pošiljatelja i pripadajućim kratkim opisom pogreške.
5. Popravak/zamjena pod ovim jamstvom se ne naplaćuje. Ne produljuje zakonsko ili ne započinje novo jamstveno razdoblje. Zamijenjeni dijelovi ili alati postaju naše vlasništvo. U nekim zemljama pošiljatelj plaća poštarinu.
6. Ovo jamstvo je valjano u Europskoj zajednici, Švicarskoj, Islandu, Norveškoj, Lihtenštajnu, Turskoj i Rusiji. Izvan ovih područja molimo vas da kontaktirate vašeg ovlaštenog zastupnika tvrtke RYOBI kako biste odredili ako se primjenjuje druga jamstva.

OVLAŠTENI SERVISNI CENTAR

Za pronalaženje ovlaštenog servisnog centra pored vas posjetite <http://uk.ryobitools.eu/header/service-and-support/service-agents>.

SL GARANCIJA

Poleg kakršnih koli zakonskih pravic, ki jih pridobite z nakupom, za ta izdelek velja tudi garancija, kot je opisano spodaj.

1. Garancijsko obdobje je 24 mesecev za potrošnike in se začne z datumom nakupa. Ta datum mora biti dokumentiran z računom ali drugim dokazilom o nakupu. Izdelek je namenjen in posvečen le potrošniški in zasebni uporabi. Zato garancija ne velja za profesionalno ali komercialno uporabo.
2. V nekaterih primerih (npr. promocija, obseg orodij) obstaja možnost podaljšanja garancijskega obdobja prek zgoraj opisanega obdobja, kar je mogoče storiti z registracijo na spletnem mestu www.ryobitools.eu. Namen orodja je jasno označen v trgovinah in/ali na embalaži. Končni uporabnik mora svoje novo orodje registrirati prek spleta v 8 dneh od datuma nakupa. Končni uporabnik se lahko registrira za podaljšano garancijo v svoji državi, kjer ima stalno prebivališče, če je država vključena na seznam v obrazcu za registracijo, kjer je ta možnost veljavna. Poleg tega mora končni uporabnik odobriti shranjevanje podatkov, ki so potrebni za spletni vstop, in morajo sprejeti pogoje in določila. Potrdilo o registraciji, ki se pošlje po e-pošti, ter originalni račun, na katerem je naveden datum nakupa, veljata kot dokazilo o podaljšani garanciji. Vaše zakonske pravice ostanejo nespremenjene.
3. Garancija krije vse okvare izdelka med garancijskim obdobjem zaradi napak v izdelavi ali materialu na datum nakupa. Garancija je omejena na popravilo/zamenjavo in ne vključuje drugih obveznosti, med drugim ne vključuje obveznosti zaradi nenamene ali posledične škode. Garancija ni veljavna, če je bil izdelek zloražen, uporabljen v nasprotju z navodili za uporabo ali nepravilno priključen. Garancija ne velja:
 - za kakršno koli poškodbo izdelka, ki je posledica neprimernega vzdrževanja,
 - če je bil izdelek spremenjen ali modificiran,
 - če so originalne identifikacijske oznake (blagovna znamka, serijska številka) na izdelku poškodovane, spremenjene ali odstranjene,
 - če je do poškodbe prišlo zaradi neupoštevanja navodil za uporabo,
 - za katere koli izdelke, ki niso skladni z oznako CE,
 - če je izdelek poskusil opraviti neusposobljen strokovnjak ali brez predhodne odobritve družbe Techntron Industries,
 - če je bil izdelek priključen na neustrezno električno omrežje (jakost, napetost, frekvenca),
 - če je do poškodbe prišlo zaradi zunanjih vplivov (kemični, fizični, udarci) ali tujih snovi,
 - za normalno obrabo nadomestnih delov,
 - neustrezne uporabe, preobremenitve orodja,
 - uporabe neodobrenih dodatkov ali delov,
 - za uplinjač po 6 mesecih, prilagoditve uplinjača po 6 mesecih,
 - za dodatke električnega orodja, priložene orodju ali na prodaj ločeno – takšne omejitve med drugim vključujejo nastavke za vijačenje, vrtnale svedre, abrazivne diske, brusni papir in rezila, bočna vodila,
 - za sestavne dele (dele in dodatke), ki so podvrženi normalni obrabi, med drugim za karbonske krtačke, vpenjalno glavo, električni kabele, dodatni ročaj, brusno ploščo, vrečo za prah, cev za odvod prahu.
4. Za servisiranje je treba izdelek poslati ali prinesiti v pooblaščen servisni center RYOBI, ki je za vsako državo naveden na naslednjem seznamu z naslovi servisnih centrov. V nekaterih državah pošiljanje izdelka servisnemu centru RYOBI prevzame lokalni trgovec z izdelki RYOBI. Za pošiljanje servisnemu centru RYOBI mora biti izdelek varno zapakiran, brez kakršnih koli nevarnih snovi, npr. gorivo, označen z naslovom pošiljatelja, priložen pa mora biti kratek opis napake.
5. Popravilo/nadomestilo v sklopu te garancije je brezplačno. Ne pomeni podaljšanja ali novega začetka garancijskega obdobja. Zamenjani deli ali orodja postanejo naša last. V nekaterih državah mora stroške pošiljanja ali dostave poravnati pošiljatelj.
6. Ta garancija je veljavna v Evropski skupnosti, Švici, na Islandiji, Norveškem, v Liechtensteinu, Turčiji in Rusiji. Izven teh področij stopite v stik s pooblaščenim trgovcem RYOBI, da ugotovite, ali velja katera druga garancija.

POOBLAŠČEN SERVISNI CENTER

Pooblaščen servisni center blizu vas poiščite na <http://uk.ryobitools.eu/header/service-and-support/service-agents>.

SK ZÁRUKA

Okrem zákonných práv vyplývajúcich zo zakúpenia je tento produkt pokrytý zárukou, ako je uvedené nižšie.

1. Záručná doba pre spotrebiteľov je 24 mesiacov a začína dňom zakúpenia produktu. Tento dátum musí byť zdokumentovaný faktúrou alebo iným dokladom o kúpe. Tento produkt je navrhnutý a určený len na spotrebiteľné a osobné použitie. Takže v prípade profesionálneho alebo komerčného použitia neplatí žiadna záruka.
2. V niektorých prípadoch (napr. reklamná akcia, rad produktov) existuje možnosť predĺženia záručnej doby nad dobu uvedenú vyššie pomocou registrácie na webovej stránke www.ryobitools.eu. Spôsobilosť nástroja je zreteľne zobrazená v obchodoch a ha obale. Koncový používateľ si musí zaregistrovať svoje novonadobudnuté nástroje online do 8 dní odo dňa zakúpenia. Koncový používateľ sa môže zaregistrovať za účelom získania predĺženej záruky vo svojej krajine, ak je uvedená v online registračnom formulári, kde je táto možnosť platná. Okrem toho musia koncoví používatelia poskytnúť súhlas k uloženiu údajov, ktoré sa zadávajú online a musia súhlasiť so zmluvnými podmienkami. Doklad s potvrdením o registrácii, ktorý posielame prostredníctvom e-mailu a originálny faktúry s uvedeným dátumom zakúpenia slúžia ako dôkaz predĺženej záruky. Vaše zákonné práva ostávajú nedotknuté.
3. Táto záruka pokrýva všetky poruchy produktu počas záručnej doby, ktoré vznikli následkom nedostatkov vo vypracovaní alebo materiáli v deň zakúpenia. Táto záruka je obmedzená na opravu alebo výmenu a nezahŕňa ďalšie povinnosti, napríklad vedľajšie alebo následné škody. Táto záruka je neplatná, ak bol produkt poživývaný nesprávne, používaný v rozpore s návodom na použitie alebo nesprávne pripojený. Táto záruka sa nevzťahuje na:
 - akékoľvek poškodenie produktu, ku ktorému došlo následkom nesprávnej údržby
 - akýkoľvek produkt, ktorý bol pozmenený alebo upravený
 - akýkoľvek produkt, na ktorom boli poškodené pozmenené alebo odstránené originálne identifikáčnne znaky (obchodná známka, sériové číslo)
 - akékoľvek poškodenie spôsobené následkom nedodržania návodu na použitie
 - akýkoľvek produkt iný ako CE
 - akýkoľvek produkt, o ktorého opravu sa pokúšal nekvalifikovaný odborník alebo v prípade opravy bez predchádzajúceho oprávnenia od spoločnosti Techntron Industries
 - akýkoľvek produkt pripojený k nesprávne napájaciemu zdroju (prúd, napätie, frekvencia)
 - akékoľvek poškodenie spôsobené vonkajšími vplyvmi (chemické, fyzické, nárazy) alebo cudzími látkami
 - bežné opotrebenie náhradných dielov
 - nesprávne používanie a pretážovanie nástroja
 - používanie neschváleného príslušenstva alebo dielov
 - karburátor po 6 mesiacoch, úpravy karburátora po 6 mesiacoch
 - príslušenstvo pre elektrické nástroje dodané s nástrojom alebo zakúpené samostatne. Takého výnimky sa vzťahujú napríklad na hroty skrutkovačov, vrtáky, brusné kotúče, brusné papiere a ostria a bočné vedenie
 - komponenty (diely a príslušenstvo), ktoré podliehajú prirodzenému opotrebeniu, napríklad uhlíkové kefy, skľučovadlo, napájací kábel, pomocná rukoväť, leštiaca doska, vrečko na prach, rúrka na vyfukovanie prachu
4. Na servis sa musí produkt odoslať alebo predložiť autorizovanému servisnému centru RYOBI uvedenému pre každú krajinu v nasledujúcom zozname adres servisných staníc. V niektorých krajinách pošle produkt do servisnej organizácie RYOBI váš miestny predajca produktov RYOBI. Pri odosielaní produktu do servisnej stanice RYOBI musí byť produkt bezpečne zabalený bez akéhokoľvek nebezpečného obsahu, napríklad paliva, označený adresou odosielateľa a musí byť k nemu priložený krátky popis poruchy.
5. Oprava či výmena v rámci tejto záruky je bezplatná. Nevyplýva z nej predĺženie či nový začiatok záručnej doby. Vymenené diely alebo nástroje sa stávajú našim majetkom. V niektorých krajinách doručovací poplatok alebo poštovné platí odosielateľ.
6. Táto záruka je platná v Európskej únii, Švajčiarsku, na Islande, v Nórsku, Lichtenštajnsku, Turecku a Rusku. Mimo týchto oblastí kontaktujte autorizovaného predajcu spoločnosti Ryobi, u ktorého zistíte, či platí nejaká iná záruka.

AUTORIZOVANÉ SERVISNÉ CENTRUM

Ak chcete nájsť najbližšie autorizované servisné centrum, navštívte stránku <http://uk.ryobitools.eu/header/service-and-support/service-agents>.

EL ΕΓΓΥΗΣΗ

Επιπροσθέτως τυχόν νομικών δικαιωμάτων που προκύπτουν από την αγορά, το προϊόν καλύπτεται από εγγύηση όπως αναφέρεται παρακάτω.

- Η περίοδος εγγύησης είναι 24 μήνες για τους καταναλωτές και τίθεται σε ισχύ από την ημερομηνία αγοράς του προϊόντος. Η ημερομηνία αυτή πρέπει να τεκμηριώνεται από τιμολόγιο ή άλλη απόδειξη αγοράς. Το προϊόν είναι σχεδιασμένο μόνο για καταναλωτική και ιδιωτική χρήση. Η εγγύηση δεν ισχύει σε περίπτωση επαγγελματικής ή εμπορικής χρήσης.
- Σε ορισμένες περιπτώσεις (δηλ. προώθηση, σειρά εργαλείων) υπάρχει η δυνατότητα παράτασης της περιόδου εγγύησης πέραν της αναφερόμενης περιόδου παραπάνω, μέσω εγγραφής στην ιστοσελίδα www.ryobitools.eu. Η δυνατότητα συμμετοχής του εκάστοτε εργαλείου δηλώνεται σαφώς στα καταστήματα και/ή τη συσκευασία του. Ο τελικός χρήστης πρέπει να εγγραφεί αναφέροντας τα στοιχεία του εργαλείου online εντός 8 ημερών από την ημερομηνία αγοράς. Ο τελικός χρήστης μπορεί να εγγραφεί για την παρατεταμένη εγγύηση στη χώρα κατοικίας του αν περιέχεται στην online φόρμα εγγραφής, όπου ισχύει αυτή η επιλογή. Επιπλέον, οι τελικοί χρήστες πρέπει να δώσουν τη συγκατάθεσή τους για την αποθήκευση των δεδομένων που συλλέγονται online και πρέπει να δεχθούν τους όρους και τις διατάξεις. Η απόδειξη επιβεβαίωσης εγγραφής, που αποστέλλεται μέσω e-mail και το πρωτότυπο τιμολόγιο που φέρει την ημερομηνία αγοράς, λειτουργούν ως αποδεικτικά στοιχεία για την παρατεταμένη περίοδο εγγύησης. Τα νομικά δικαιώματά σας δεν επηρεάζονται.
- Η εγγύηση καλύπτει κάθε τυχόν ατέλεια του προϊόντος στη διάρκεια ισχύος της, εξαιτίας κατασκευαστικών ατελειών ή ατελειών του υλικού κατά την ημερομηνία αγοράς. Η εγγύηση περιορίζεται στην επισκευή και/ή αντικατάσταση και δεν περιλαμβάνει άλλες υποχρεώσεις, συμπεριλαμβανόμενες μεταξύ άλλων θετικής ή αποθετικής ζημίας. Η εγγύηση δεν ισχύει αν το προϊόν έχει χρησιμοποιηθεί με εσφαλμένο τρόπο, αντίθετα με τις οδηγίες του εγχειριδίου χρήσης ή έχει συνδεθεί εσφαλμένα. Η εγγύηση δεν ισχύει στα κάτωθι:
 - οποιαδήποτε βλάβη στο προϊόν ως συνέπεια εσφαλμένης συντήρησης
 - οποιαδήποτε τροποποίηση ή παραλλαγή του προϊόντος
 - προϊόντα ή αρχική ταυτοποίηση των οποίων (σήμα κατατεθέν, σειριακός αριθμός) έχει αλλοιωθεί, αλλάξει ή αφαιρεθεί
 - οποιαδήποτε βλάβη προκληθεί από μη τήρηση των οδηγιών στο εγχειρίδιο λειτουργίας
 - οποιαδήποτε μη CE προϊόν
 - οποιαδήποτε προϊόν στο οποίο έχει γίνει απόπειρα επισκευής από μη ειδικευμένο επαγγελματία ή χωρίς προηγούμενη εξουσιοδότηση της Techtronic Industries
 - οποιαδήποτε προϊόν συνδεθεί σε ακατάλληλη παροχή ρεύματος (αμπερ, τάση, συχνότητα)
 - οποιαδήποτε βλάβη προκληθεί από εξωτερικές επιρροές (χημικές, φυσικές, κρούσιμους) ή ξένες ουσίες
 - φυσική φθορά των ανταλλακτικών
 - ανάρμοστη χρήση, υπερφόρτιση του εργαλείου
 - χρήση μη εγκεκριμένων εξαρτημάτων ή ανταλλακτικών
 - καρμπυρατέρ μετά από 6 μήνες, προσαρμογές καρμπυρατέρ μετά από 6 μήνες
 - εξαρτήματα εργαλείου που παρέχονται με το εργαλείο ή αγοράστηκαν ξεχωριστά. Οι εξαιρέσεις αυτές περιλαμβάνουν μεταξύ άλλων εξαρτήματα κατασβίδιων, εξαρτήματα τρυπανιών, λειαντικούς δίσκους, γυαλόχαρτο και λεπίδες, πλεουρικό οδηγό
 - ενόπιτες (εξαρτήματα και ανταλλακτικά) που υπόκεινται σε φυσική φθορά, συμπεριλαμβανομένων μεταξύ άλλων ψηκτρών, τασκ, καλυδίων ρεύματος, βοηθητικών λαβών, πλακετών λείανσης, σκαουλών σκόνης, σωλήνων εξάτμισης σκόνης
- Για απτήματα σέρβις, το προϊόν πρέπει να σταλεί ή παραδοθεί σε εξουσιοδοτημένο σταθμό σέρβις της RYOBI, όπως αναγράφονται για κάθε χώρα στην παρακάτω λίστα. Σε ορισμένες χώρες, ο τοπικός αντιπρόσωπος της RYOBI αναλαμβάνει την αποστολή του προϊόντος στον οργανισμό σέρβις RYOBI. Όταν στέλνετε ένα προϊόν σε σταθμό σέρβις της RYOBI, το προϊόν θα πρέπει να είναι συσκευασμένο με ασφάλεια, χωρίς επικίνδυνα περιεχόμενα όπως βενζίνη ή με αναφορά της διεύθυνσης του αποστολέα, ενώ θα πρέπει να συνοδεύεται και από σύντομη περιγραφή του προβλήματος.
- Επισκευές / αντικατάστασης στα πλαίσια της εγγύησης παρέχονται δωρεάν. Δεν παρέχεται παράταση ή επανεκκίνηση της περιόδου εγγύησης. Τα εξαρτήματα ή εργαλεία που αντικαθίστανται, περιέρχονται στην ιδιοκτησία μας. Σε ορισμένες χώρες, ισχύουν χρεώσεις παράδοσης ή ταχυδρομικά τέλη που καταβάλλονται από τον αποστολέα.
- Η εγγύηση ισχύει στην Ευρωπαϊκή Κοινότητα, την Ελβετία, την Ισλανδία, τη Νορβηγία, το Λιχτενστάιν, την Τουρκία και τη Ρωσία. Εκτός αυτών των περιοχών, παρακαλούμε επικοινωνήστε με τον εξουσιοδοτημένο αντιπρόσωπο της RYOBI για να εξεκριθείτε εάν ισχύουν άλλες εγγυήσεις.

ΕΞΟΥΣΙΟΔΟΤΗΜΕΝΟ ΚΕΝΤΡΟ ΣΕΡΒΙΣ

Για να εντοπίσετε ένα εξουσιοδοτημένο κέντρο σέρβις στην περιοχή σας, επισκεφτείτε τη σελίδα <http://uk.ryobitools.eu/header/service-and-support/service-agents>.

TR GARANTİ

Bu satın alma işleminden doğan tüm yasal haklara ek olarak, bu ürün aşağıda açıklanan garanti kapsamındadır.

- Garanti süresi tüketiciler için 24 aydır ve bu süre ürünün satın alınması ile başlar. Bu tarih fatura veya başka bir satın alma belgesi ile kanıtlanmalıdır. Ürün sadece tüketici ve bireysel kullanım için tasarlanmıştır ve sunulmuştur. Profesyonel veya ticari amaçlı kullanımlarda garanti verilmaz.
- Bazı durumlarda (örn. tanıtım, aletlerin düzenlenmesi), yukarıda belirtilen garanti süresi uzatılabilir. Bunun için www.ryobitools.eu Internet sitesindeki kaydı yapmak gerekir. Aletin nitelikleri mağazalarda ve/veya ambalaj üzerinde açıkça belirtilmiştir. Son kullanıcı, aleti satın aldıktan sonra en geç 8 gün içinde aletin kaydını çevrim içi olarak yapmalıdır. Son kullanıcı, garanti uzatma seçeneğinin geçerli olduğu ülkelerden birindeyse kayıt yaptırarak bu fırsattan yararlanabilir. Ayrıca, son kullanıcılar çevrim içi giriş yapmak için gerekli olan verilerin saklanmasına izin vermesi, şartlar ve koşulları kabul etmelidir. E-posta ile gönderilen kayıt onay belgesi ve satın alma tarihini belgeleyen orijinal fatura garantinin uzatılmasını sağlamak için kanıt niteliği taşımaktadır. Yasal haklarını aynı kalacaktır.
- Garanti, ürünün satın alma tarihindeki tüm işçilik ve malzeme kusurlarından kaynaklanan tüm sorunları garanti süresi içinde kapsamaktadır. Garanti onarım ve/veya değiştirme işi sınırlıdır ve sadece istenmeyen arızalar, vb. durumlarda herhangi bir sorumluluk kabul edilmez. Ürünün yanlış kullanılması, kullanım kılavuzuna uygun kullanılmaması veya yanlış bağlanıtı kurulumu durumunda garanti geçerliliğini yitirir. Garanti kapsamı dışındaki durumlar:
 - bakımın yanlış yapılmasından kaynaklanan tüm hasarlar
 - ürünün değiştirilmesi veya düzenlenmesi
 - ürünün orijinal teşhis (ticari sembol, seri numarası) işaretlerinin tahrip olması, değiştirilmesi veya çıkarılması
 - kullanım kılavuzunun dikkate alınmaması nedeniyle oluşan tüm hasarlar
 - ürünün AB ürünü olmaması
 - ürünün kalifiye olmayan bir kişi tarafından veya Techtronic Industries'in izni olmadan onarılmaya çalışılması
 - ürünün yanlış güç desteğine (amper, voltaj, frekans) bağlanması
 - dış etkenler (kimyasal, fiziksel, darbeler) veya yabancı cisimlerden kaynaklanan arızalar
 - yedek parçaların normal aşınması ve yıpranması
 - yanlış kullanım, aletin fazla yüklenmesi
 - onaylanmayan aksesuarların veya parçaların kullanılması
 - karbüratörü sistemlerde karbüratör ayarlarının 6 ayın ardından yapılması
 - elektronik alet aksesuarlarının alet ile birlikte veya ayrı olarak satın alınması. Akülü vidalama uçları, matkap uçları, aşındırıcı diskler, zımpara kağıdı ve bıçakları, yatay kılavuz gibi parçaların dahil olduğu, ancak bu parçalarla sınırlı olmayan istisnalar
 - karbon fırçalar, kovan, elektrik kablosu, yardımcı kol, kumlama plakası, toz torbası, toz egzoz borusu gibi parçaların bulunduğu, ancak bu parçalarla sınırlı olmayan doğal aşınma ve yıpranmaya maruz kalan bileşenler
- Tamir işlemi için ürünün, her ülke için listelenmiş olan aşağıdaki servis istasyonu adreslerinde bulunan bir RYOBI yetkili servis istasyonuna gönderilmesi veya verilmesi gerekir. Bazı ülkelerde yerel RYOBI satıcınız ürünü RYOBI servis istasyonuna gönderme işlemi üstlenir. RYOBI servis istasyonuna gönderilen ürün; içinde petrol gibi tehlikeli maddeler olmadan emniyetli bir şekilde paketlenmeli, gönderim adresini ve sorunun kısa bir açıklamasını içermelidir.
- Bu garanti kapsamında gerçekleşen bir onarım/değişim ücretsizdir. Bu tarz işlemler garanti süresini uzatmaz veya yeniden başlatmaz. Değiştirilen parçalar veya aletler firmamıza ait olur. Bazı ülkelerde teslimat masrafları veya posta ücreti gönderici tarafından ödenmelidir.
- Bu garanti Avrupa Birliği, İsviçre, İzlanda, Norveç, Lichtenştayn, Türkiye ve Rusya'da geçerlidir. Bu bölgelerin dışında yer alan müşterilerin diğer garanti seçenekleri için yetkili RYOBI satıcısına danışmaları gerekir.

YETKİLİ SERVİS MERKEZİ

En yakın yetkili servis merkezini öğrenmek için <http://uk.ryobitools.eu/header/service-and-support/service-agents> sitesine girin.

EN EC declaration of conformity

Technronic Industries GmbH
Max-Eyth-Straße 10, 71364 Winnenden, Germany

Herewith we declare that the product

Angle Grinder
Brand: Ryobi
Model number: EAG2000RS
Serial number range:
EAG2000RS: 44433201000001-44433201999999

is in conformity with the following European Directives and harmonised standards

2006/42/EC, 2004/108/EC (until 19 April 2016), 2014/30/EU, 2011/65/EU
EN55014-1:2006+A1:2009+A2:2011, EN55014-2:1997+A1:2001+A2:2008,
EN61000-3-2:2006+A1:2009+A2:2009, EN61000-3-3:2013,
EN60745-1:2009+A11:2010, EN60745-2-3:2011+A2:2013

RoHS documentation is compiled according to EN 50581:2012

Andrew John Eyre (BEng, CEng, MIET)
Vice President, Regulatory & Safety
Winnenden, Sep. 24, 2014

Authorised to compile the technical file:

Alexander Krug, Managing Director
Technronic Industries GmbH
Max-Eyth-Straße 10, 71364 Winnenden, Germany

FR DÉCLARATION DE CONFORMITÉ EC

Technronic Industries GmbH
Max-Eyth-Straße 10, 71364 Winnenden, Germany

Déclarons par la présente que le produit

Meuleuse D'angle
Marque: Ryobi
Numéro de modèle: EAG2000RS
Étendue des numéros de série:
EAG2000RS: 44433201000001-44433201999999

est conforme aux Directives Européennes et Normes Harmonisées suivantes

2006/42/EC, 2004/108/EC (jusqu'à 19 Avril 2016), 2014/30/EU, 2011/65/EU
EN55014-1:2006+A1:2009+A2:2011, EN55014-2:1997+A1:2001+A2:2008,
EN61000-3-2:2006+A1:2009+A2:2009, EN61000-3-3:2013,
EN60745-1:2009+A11:2010, EN60745-2-3:2011+A2:2013

La documentation RoHS a été dressée d'après EN 50581:2012

Andrew John Eyre (BEng, CEng, MIET)
Vice-Président, Réglementation & Sécurité
Winnenden, Sep. 24, 2014

Autorisé à rédiger le dossier technique:

Alexander Krug, Directeur Général
Technronic Industries GmbH
Max-Eyth-Straße 10, 71364 Winnenden, Germany

DE EC KONFORMITÄTSERKLÄRUNG

Technronic Industries GmbH
Max-Eyth-Straße 10, 71364 Winnenden, Germany

Hiermit erklären wir, dass die Produkte

Winkelschleifer
Marke: Ryobi
Modellnummer: EAG2000RS
Seriennummernbereich:
EAG2000RS: 44433201000001-44433201999999

den folgenden europäischen Richtlinien und harmonisierten Normen entspricht

2006/42/EC, 2004/108/EC (bis 19 April 2016), 2014/30/EU, 2011/65/EU
EN55014-1:2006+A1:2009+A2:2011, EN55014-2:1997+A1:2001+A2:2008,
EN61000-3-2:2006+A1:2009+A2:2009, EN61000-3-3:2013,
EN60745-1:2009+A11:2010, EN60745-2-3:2011+A2:2013

RoHS Dokumentation ist gemäß EN 50581:2012 zusammengestellt

Andrew John Eyre (BEng, CEng, MIET)
Vizepräsident, Vorschriften und Sicherheit
Winnenden, Sep. 24, 2014

Autorisiert die technische Datei zu erstellen:

Alexander Krug, Geschäftsführer
Technronic Industries GmbH
Max-Eyth-Straße 10, 71364 Winnenden, Germany

ES DECLARACIÓN EC DE CONFORMIDAD

Technronic Industries GmbH
Max-Eyth-Straße 10, 71364 Winnenden, Germany

Por la presente declaramos que los productos

Rebarbadora
Marca: Ryobi
Número de modelo: EAG2000RS
Intervalo del número de serie:
EAG2000RS: 44433201000001-44433201999999

se encuentra en conformidad con las siguientes Directivas Europeas y normas armonizadas

2006/42/EC, 2004/108/EC (hasta 19 Abril 2016), 2014/30/EU, 2011/65/EU
EN55014-1:2006+A1:2009+A2:2011, EN55014-2:1997+A1:2001+A2:2008,
EN61000-3-2:2006+A1:2009+A2:2009, EN61000-3-3:2013,
EN60745-1:2009+A11:2010, EN60745-2-3:2011+A2:2013

Documentación sobre restricción de sustancias peligrosas (RoHS) recopilada según la norma EN 50581:2012

Andrew John Eyre (BEng, CEng, MIET)
Vicepresidente, Director General de Normativa y Seguridad
Winnenden, Sep. 24, 2014

Autorizado para elaborar la ficha técnica:

Alexander Krug, Administrador Ejecutivo
Technronic Industries GmbH
Max-Eyth-Straße 10, 71364 Winnenden, Germany

IT DICHIARAZIONE DI CONFORMITÀ EC

Technronic Industries GmbH
Max-Eyth-Straße 10, 71364 Winnenden, Germany

Si dichiara con la presente che il prodotto

Smerigliatrice Angolare
Marca: Ryobi
Numero modello: EAG2000RS
Gamma numero seriale:
EAG2000RS: 44433201000001-44433201999999

è conforme alle seguenti Direttive Europee e ai seguenti standard armonizzati

2006/42/EC, 2004/108/EC (fino a 19 Aprile 2016), 2014/30/EU, 2011/65/EU
EN55014-1:2006+A1:2009+A2:2011, EN55014-2:1997+A1:2001+A2:2008,
EN61000-3-2:2006+A1:2009+A2:2009, EN61000-3-3:2013,
EN60745-1:2009+A11:2010, EN60745-2-3:2011+A2:2013

La documentazione RoHS è stata compilata come indicato dalle norme EN 50581:2012

Andrew John Eyre (BEng, CEng, MIET)
Vice-Presidente, Dipartimento Regolazioni & Sicurezza
Winnenden, Sep. 24, 2014

Autorizzato per compilare il file tecnico:

Alexander Krug, Direttore Amministrativo
Technronic Industries GmbH
Max-Eyth-Straße 10, 71364 Winnenden, Germany

NL EC CONFORMITEITSVERKLARING

Technronic Industries GmbH
Max-Eyth-Straße 10, 71364 Winnenden, Germany

Hierbij verklaren wij dat het product

Haakse Slijpmachine
Merk: Ryobi
Modelnummer: EAG2000RS
Seriennummernbereik:
EAG2000RS: 44433201000001-44433201999999

is in overeenstemming met de volgende Europese Richtlijnen en geharmoniseerde normen

2006/42/EC, 2004/108/EC (tot 19 April 2016), 2014/30/EU, 2011/65/EU
EN55014-1:2006+A1:2009+A2:2011, EN55014-2:1997+A1:2001+A2:2008,
EN61000-3-2:2006+A1:2009+A2:2009, EN61000-3-3:2013,
EN60745-1:2009+A11:2010, EN60745-2-3:2011+A2:2013

RoHS-documentatie is samengesteld in overeenstemming met EN 50581:2012

Andrew John Eyre (BEng, CEng, MIET)
Vice-president, Regelgeving en Veiligheid
Winnenden, Sep. 24, 2014

Afgevaardigde voor het samenstellen van de technische fiche:

Alexander Krug, Directeur
Technronic Industries GmbH
Max-Eyth-Straße 10, 71364 Winnenden, Germany

PT DECLARAÇÃO EC DE CONFORMIDADE

Techtronic Industries GmbH
Max-Eyth-Straße 10, 71364 Winnenden, Germany

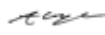
Pelo presente declaramos que os produtos

Afiadora Angular
Marca: Ryobi
Número do modelo: EAG2000RS
Intervalo do número de série:
EAG2000RS: 44433201000001-4443320199999

se encontra em conformidade com as seguintes Directivas Europeias e normas harmonizadas

2006/42/EC, 2004/108/EC (até 19 Abril 2016), 2014/30/EU, 2011/65/EU
EN55014-1:2006+A1:2009+A2:2011, EN55014-2:1997+A1:2001+A2:2008,
EN61000-3-2:2006+A1:2009+A2:2009, EN61000-3-3:2013,
EN60745-1:2009+A11:2010, EN60745-2-3:2011+A2:2013

Documentação sobre restrição de substâncias perigosas (RoHS) compilada segundo a norma EN 50581:2012


Andrew John Eyre (BEng, CEng, MIET)
Vice-Presidente, Regulação & Segurança
Winnenden, Sep. 24, 2014

CE

Autorizado para compilar o ficheiro técnico:

Alexander Krug, Administrador Executivo
Techtronic Industries GmbH
Max-Eyth-Straße 10, 71364 Winnenden, Germany

DA EC OVERENSSTEMMELSESEKTLÆRING

Techtronic Industries GmbH
Max-Eyth-Straße 10, 71364 Winnenden, Germany


Vi erklærer hermed, at produktet

Vinkelsliber
Brand: Ryobi
Modelnummer: EAG2000RS
Serienummerområde:
EAG2000RS: 44433201000001-4443320199999

er i overensstemmelse med følgende EU-direktiver og harmoniserede standarder

2006/42/EC, 2004/108/EC (indtil 19 April 2016), 2014/30/EU, 2011/65/EU
EN55014-1:2006+A1:2009+A2:2011, EN55014-2:1997+A1:2001+A2:2008,
EN61000-3-2:2006+A1:2009+A2:2009, EN61000-3-3:2013,
EN60745-1:2009+A11:2010, EN60745-2-3:2011+A2:2013

RoHS-dokumentationen er udarbejdet i henhold til EN 50581:2012


Andrew John Eyre (BEng, CEng, MIET)
Vicepræsident, Regler og Sikkerhed
Winnenden, Sep. 24, 2014

CE

Bemyndiget til at udarbejde det tekniske kartotek:

Alexander Krug, Administrerende Direktør
Techtronic Industries GmbH
Max-Eyth-Straße 10, 71364 Winnenden, Germany

SV EC-Konformitetsdeklaration

Techtronic Industries GmbH
Max-Eyth-Straße 10, 71364 Winnenden, Germany


Härmed deklarerar vi att produkterna

Vinkelslip
Märke: Ryobi
Modellnummer: EAG2000RS
Serienummerintervall:
EAG2000RS: 44433201000001-4443320199999

är i enlighet med följande EU-direktiv och harmoniserade standarder

2006/42/EC, 2004/108/EC (till och med 19 April 2016), 2014/30/EU, 2011/65/EU
EN55014-1:2006+A1:2009+A2:2011, EN55014-2:1997+A1:2001+A2:2008,
EN61000-3-2:2006+A1:2009+A2:2009, EN61000-3-3:2013,
EN60745-1:2009+A11:2010, EN60745-2-3:2011+A2:2013

RoHS-dokumentation sammanställd enligt EN 50581:2012


Andrew John Eyre (BEng, CEng, MIET)
Vice President, Regelverk och Säkerhet
Winnenden, Sep. 24, 2014

CE

Godkänd att sammanställa den tekniska filen:

Alexander Krug, VD
Techtronic Industries GmbH
Max-Eyth-Straße 10, 71364 Winnenden, Germany

FI EC-SÄÄNNÖSTEN NOUDATTAMINEN

Techtronic Industries GmbH
Max-Eyth-Straße 10, 71364 Winnenden, Germany


Ilmoitamme täten, että tuotteet

Kulmahiomakone
Tuotemerkki: Ryobi
Mallinumero: EAG2000RS
Sarjanumeroalue:
EAG2000RS: 44433201000001-4443320199999

noudattaa seuraavia EU-direktiivejä ja harmonoituja standardeja

2006/42/EC, 2004/108/EC (19 April 2016 saakka), 2014/30/EU, 2011/65/EU
EN55014-1:2006+A1:2009+A2:2011, EN55014-2:1997+A1:2001+A2:2008,
EN61000-3-2:2006+A1:2009+A2:2009, EN61000-3-3:2013,
EN60745-1:2009+A11:2010, EN60745-2-3:2011+A2:2013

RoHS-dokumentointi on koottu standardin EN 50581:2012 mukaisesti


Andrew John Eyre (BEng, CEng, MIET)
Varatoimitusjohtaja, Säädöstenmukaisuus ja Turvallisuus
Winnenden, Sep. 24, 2014

CE

Valtuutettu kokoamaan tekninen tiedosto:

Alexander Krug, Toimitusjohtaja
Techtronic Industries GmbH
Max-Eyth-Straße 10, 71364 Winnenden, Germany

NO EC-Samsvarserklæring

Techtronic Industries GmbH
Max-Eyth-Straße 10, 71364 Winnenden, Germany


Herved erklærer vi at produktet

Vinkelsliper
Merke: Ryobi
Modellnummer: EAG2000RS
Serienummerserie:
EAG2000RS: 44433201000001-4443320199999

er i samsvar med følgende europeiske direktiver og harmoniserte standarder

2006/42/EC, 2004/108/EC (til 19 April 2016), 2014/30/EU, 2011/65/EU
EN55014-1:2006+A1:2009+A2:2011, EN55014-2:1997+A1:2001+A2:2008,
EN61000-3-2:2006+A1:2009+A2:2009, EN61000-3-3:2013,
EN60745-1:2009+A11:2010, EN60745-2-3:2011+A2:2013

RoHS dokumentasjonen er skrevet i samsvar med EN 50581:2012


Andrew John Eyre (BEng, CEng, MIET)
Visepresident, Forskrifter og Sikkerhet
Winnenden, Sep. 24, 2014

CE

Autorisert til å sette sammen den tekniske filen:

Alexander Krug, Administrerende Direktør
Techtronic Industries GmbH
Max-Eyth-Straße 10, 71364 Winnenden, Germany

RU ЗАЯВЛЕНИЕ О СООТВЕТСТВИИ ТРЕБОВАНИЯМ ЕС

Techtronic Industries GmbH
Max-Eyth-Straße 10, 71364 Winnenden, Germany


Настоящим мы заявляем, что данный продукт

Угловая Шлифовальная Машина
Марка: Ryobi
Номер модели: EAG2000RS
Диапазон заводских номеров:
EAG2000RS: 44433201000001-4443320199999

соответствует требованиям следующих Директив ЕС и согласованных стандартов

2006/42/EC, 2004/108/EC (до 19 апреля 2016), 2014/30/EU, 2011/65/EU
EN55014-1:2006+A1:2009+A2:2011, EN55014-2:1997+A1:2001+A2:2008,
EN61000-3-2:2006+A1:2009+A2:2009, EN61000-3-3:2013,
EN60745-1:2009+A11:2010, EN60745-2-3:2011+A2:2013

Документация RoHS соответствует стандарту EN 50581:2012


Andrew John Eyre (BEng, CEng, MIET)
Вице-Президент По Технике Безопасности И Стандартам
Winnenden, Sep. 24, 2014

CE

Лицо, ответственное за подготовку технической документации:

Alexander Krug, Директор
Techtronic Industries GmbH
Max-Eyth-Straße 10, 71364 Winnenden, Germany

PL DEKLARACJA ZGODNOŚCI EC

Techtronic Industries GmbH
Max-Eyth-Straße 10, 71364 Winnenden, Germany

Niniejszym deklarujemy, że produkty

Szlfierka Kałowa
Marka: Ryobi
Numer modelu: EAG2000RS
Zakres numerów seryjnych:
EAG2000RS: 44433201000001-44433201999999

jest zgodny z następującymi dyrektywami europejskimi i zharmonizowanymi normami

2006/42/EC, 2004/108/EC (do 19 April 2016), 2014/30/EU, 2011/65/EU
EN55014-1:2006+A1:2009+A2:2011, EN55014-2:1997+A1:2001+A2:2008,
EN61000-3-2:2006+A1:2009+A2:2009, EN61000-3-3:2013,
EN60745-1:2009+A11:2010, EN60745-2-3:2011+A2:2013

Dokumentacja RoHS została opracowana zgodnie z normą EN 50581:2012

Andrew John Eyre (BEng, CEng, MIET)
Wiceprezes ds. Zgodności Prawnej i Bezpieczeństwa
Winnenden, Sep. 24, 2014



Osoba upoważniona do sporządzenia dokumentu technicznego:

Alexander Krug, Dyrektor Zarządzający
Techtronic Industries GmbH
Max-Eyth-Straße 10, 71364 Winnenden, Germany

CS PROHLÁŠENÍ O SHODĚ EC

Techtronic Industries GmbH
Max-Eyth-Straße 10, 71364 Winnenden, Germany

Tímto prohlašujeme, že výrobky

Ruční Rozbrušovačka
Značka: Ryobi
Číslo modelu: EAG2000RS
Rozsah sériových čísel:
EAG2000RS: 44433201000001-44433201999999

že tento výrobek je v souladu s evropskými a harmonizovanými standardy

2006/42/EC, 2004/108/EC (do 19 kwietnia 2016), 2014/30/EU, 2011/65/EU
EN55014-1:2006+A1:2009+A2:2011, EN55014-2:1997+A1:2001+A2:2008,
EN61000-3-2:2006+A1:2009+A2:2009, EN61000-3-3:2013,
EN60745-1:2009+A11:2010, EN60745-2-3:2011+A2:2013.

RoHS dokumentace sestavena dle EN 50581:2012

Andrew John Eyre (BEng, CEng, MIET)
Viceprezident, Normy a Bezpečnost
Winnenden, Sep. 24, 2014



Pověření ke kompilaci technického souboru:

Alexander Krug, Generální Ředitel
Techtronic Industries GmbH
Max-Eyth-Straße 10, 71364 Winnenden, Germany

HU EC Megfelelőségi nyilatkozat

Techtronic Industries GmbH
Max-Eyth-Straße 10, 71364 Winnenden, Germany

Ezúton kijelentjük, hogy a termék

Sarokcsiszoló
Márka: Ryobi
Típuszám: EAG2000RS
Sorozatszám tartomány:
EAG2000RS: 44433201000001-44433201999999

megfelel az alábbi Európai Irányelvek és harmonizált szabványok vonatkozó rendelkezéseinek

2006/42/EC, 2004/108/EC (2016. Ápril 19-ig), 2014/30/EU, 2011/65/EU
EN55014-1:2006+A1:2009+A2:2011, EN55014-2:1997+A1:2001+A2:2008,
EN61000-3-2:2006+A1:2009+A2:2009, EN61000-3-3:2013,
EN60745-1:2009+A11:2010, EN60745-2-3:2011+A2:2013

A RoHS dokumentáció összeállítás az EN 50581:2012 szerint történt

Andrew John Eyre (BEng, CEng, MIET)
Alelnök, Megfelelőségi és Biztonsági Területek
Winnenden, Sep. 24, 2014



A műszaki dokumentáció összeállításra felhatalmazott:

Alexander Krug, Ügyvezető Igazgató
Techtronic Industries GmbH
Max-Eyth-Straße 10, 71364 Winnenden, Germany

RO DECLARAȚIE DE CONFORMITATE EC

Techtronic Industries GmbH
Max-Eyth-Straße 10, 71364 Winnenden, Germany

Prin prezenta, declarăm că produsele

Polizor Unghiular
Marka: Ryobi
Număr serie: EAG2000RS
Gamă număr serie:
EAG2000RS: 44433201000001-44433201999999

este în conformitate cu următoarele Directive Europene și standarde armonizate

2006/42/EC, 2004/108/EC (până la 19 Aprilie 2016), 2014/30/EU, 2011/65/EU
EN55014-1:2006+A1:2009+A2:2011, EN55014-2:1997+A1:2001+A2:2008,
EN61000-3-2:2006+A1:2009+A2:2009, EN61000-3-3:2013,
EN60745-1:2009+A11:2010, EN60745-2-3:2011+A2:2013

Documentația RoHS este întocmită în conformitate cu EN 50581:2012

Andrew John Eyre (BEng, CEng, MIET)
Vicepreședinte, Reglementare și Siguranță
Winnenden, Sep. 24, 2014



Autorizat să completeze fișa tehnică:

Alexander Krug, Director General
Techtronic Industries GmbH
Max-Eyth-Straße 10, 71364 Winnenden, Germany

LV EC Atbilstības deklarācija

Techtronic Industries GmbH
Max-Eyth-Straße 10, 71364 Winnenden, Germany

Ar šo paziņojam, ka produkti

Leņķa Slīpmašīna
Zīmols: Ryobi
Modeļa numurs: EAG2000RS
Sērijas numura intervāls:
EAG2000RS: 44433201000001-44433201999999

atbilst šādām Eiropas direktīvām un saskaņotajiem standartiem

2006/42/EC, 2004/108/EC (līdz 19 April 2016), 2014/30/EU, 2011/65/EU
EN55014-1:2006+A1:2009+A2:2011, EN55014-2:1997+A1:2001+A2:2008,
EN61000-3-2:2006+A1:2009+A2:2009, EN61000-3-3:2013,
EN60745-1:2009+A11:2010, EN60745-2-3:2011+A2:2013

RoHS dokumentācija ir izstrādāta saskaņā ar EN 50581:2012

Andrew John Eyre (BEng, CEng, MIET)
Viceprezidents, Darba Drošības Noteikumi
Winnenden, Sep. 24, 2014



Pilnvarots sastādīt tehnisko failu:

Alexander Krug, Izpilddirektors
Techtronic Industries GmbH
Max-Eyth-Straße 10, 71364 Winnenden, Germany

LT EC Atitikties pareiškimas

Techtronic Industries GmbH
Max-Eyth-Straße 10, 71364 Winnenden, Germany

Mes pareiškiame, kad šie produktai

Kampinis Šlifuoklus
Prekės ženklas: Ryobi
Modelio numeris: EAG2000RS
Serijinio numerio diapazonas:
EAG2000RS: 44433201000001-44433201999999

pagamintas laikantis toliau nurodytųjų Europos Direktyvų ir damiųjų standartų

2006/42/EC, 2004/108/EC (iki 2016 m. April 19 d.), 2014/30/EU, 2011/65/EU
EN55014-1:2006+A1:2009+A2:2011, EN55014-2:1997+A1:2001+A2:2008,
EN61000-3-2:2006+A1:2009+A2:2009, EN61000-3-3:2013,
EN60745-1:2009+A11:2010, EN60745-2-3:2011+A2:2013

Tam tikrų pavojingų medžiagų naudojimo elektros ir elektroninėje įrangoje apri bojimo dokumentai sudaryti pagal standartą EN 50581:2012

Andrew John Eyre (BEng, CEng, MIET)
Kontrolės Ir Saugos Viceprezidentas
Winnenden, Sep. 24, 2014



Įgaliojats sudaryti techninį failą:

Alexander Krug, Generalinis Direktorius
Techtronic Industries GmbH
Max-Eyth-Straße 10, 71364 Winnenden, Germany

(ET) EC VASTAVUSDEKLARATSIOON

Techtronic Industries GmbH
Max-Eyth-Straße 10, 71364 Winnenden, Germany

Kinnitame, et see toode

Ketaslõikur
Mark: Ryobi
Mudeli number: EAG2000RS
Seerianumbri vahemik:
EAG2000RS: 44433201000001-4443320199999

vastab järgmistele Euroopa direktiividele ja harmoniseeritud standarditele

2006/42/EC, 2004/108/EC (kuni 19 April 2016), 2014/30/EU, 2011/65/EU
EN55014-1:2006+A1:2009+A2:2011, EN55014-2:1997+A1:2001+A2:2008,
EN61000-3-2:2006+A1:2009+A2:2009, EN61000-3-3:2013,
EN60745-1:2009+A11:2010, EN60745-2-3:2011+A2:2013

RoHS dokumendid on koostatud vastavuses standardi EN 50581:2012 nõuetele.

Andrew John Eyre (BEng, CEng, MIET)
Asepresident Standardiseerimise Ja Ohutuse Alal
Winnenden, Sep. 24, 2014

Tehnilise faili koostamiseks volitatud isik:

Alexander Krug, Tegevdirektor
Techtronic Industries GmbH
Max-Eyth-Straße 10, 71364 Winnenden, Germany

(HR) EC IZJAVA O USKLADENOSTI

Techtronic Industries GmbH
Max-Eyth-Straße 10, 71364 Winnenden, Germany

Ovime izjavujemo da su proizvodi

Kutna Brusilica
Marka: Ryobi
Broj modela: EAG2000RS
Raspon serijskog broja:
EAG2000RS: 44433201000001-4443320199999

usklađen sa sljedećim Europskim Direktivama i usklađenim normama

2006/42/EC, 2004/108/EC (do 19 April 2016), 2014/30/EU, 2011/65/EU
EN55014-1:2006+A1:2009+A2:2011, EN55014-2:1997+A1:2001+A2:2008,
EN61000-3-2:2006+A1:2009+A2:2009, EN61000-3-3:2013,
EN60745-1:2009+A11:2010, EN60745-2-3:2011+A2:2013

RoHS dokumentacija sukladna je EN 50581:2012

Andrew John Eyre (BEng, CEng, MIET)
Potpredsjednik za Pravila i Sigurnost
Winnenden, Sep. 24, 2014

Ovlašten da sastavi tehničku datoteku:

Alexander Krug, Direktor Upravljanja
Techtronic Industries GmbH
Max-Eyth-Straße 10, 71364 Winnenden, Germany

(SL) IZJAVA EC O SKLADNOSTI

Techtronic Industries GmbH
Max-Eyth-Straße 10, 71364 Winnenden, Germany

Izjavljamo, da je izdelek

Kotni Brusilnik
Znamka: Ryobi
Številka modela: EAG2000RS
Razpon serijskih števil:
EAG2000RS: 44433201000001-4443320199999

v skladu s sledečimi evropskimi direktivami in harmoniziranimi standardi

2006/42/EC, 2004/108/EC (do 19 April 2016), 2014/30/EU, 2011/65/EU
EN55014-1:2006+A1:2009+A2:2011, EN55014-2:1997+A1:2001+A2:2008,
EN61000-3-2:2006+A1:2009+A2:2009, EN61000-3-3:2013,
EN60745-1:2009+A11:2010, EN60745-2-3:2011+A2:2013

Dokumentacija RoHS je sestavljena skladno s standardom EN 50581:2012

Andrew John Eyre (BEng, CEng, MIET)
Podpredsednik, Zakonodajne In Varnostne Zadeve
Winnenden, Sep. 24, 2014

Pooblaščen oseba za sestavo tehnične dokumentacije:

Alexander Krug, Izvršni Direktor
Techtronic Industries GmbH
Max-Eyth-Straße 10, 71364 Winnenden, Germany

(SK) PREHLÁSENIE O ZHODE EC

Techtronic Industries GmbH
Max-Eyth-Straße 10, 71364 Winnenden, Germany

Týmto vyhlasujeme, že výrobok

Uhľová Rozbrusovačka
Značka: Ryobi
Číslo modelu: EAG2000RS
Rozsah sériových čísel:
EAG2000RS: 44433201000001-4443320199999

je v súlade s nasledujúcimi Európskymi smernicami a harmonizovanými normami

2006/42/EC, 2004/108/EC (do 19. apríla 2016), 2014/30/EU, 2011/65/EU
EN55014-1:2006+A1:2009+A2:2011, EN55014-2:1997+A1:2001+A2:2008,
EN61000-3-2:2006+A1:2009+A2:2009, EN61000-3-3:2013,
EN60745-1:2009+A11:2010, EN60745-2-3:2011+A2:2013

Dokumentácia RoHS je zostavená podľa EN 50581:2012

Andrew John Eyre (BEng, CEng, MIET)
Viceprezident, Regulácia a Bezpečnosť
Winnenden, Sep. 24, 2014

Oprávnená osoba na zostavenie technického súboru:

Alexander Krug, Generálny Riaditeľ
Techtronic Industries GmbH
Max-Eyth-Straße 10, 71364 Winnenden, Germany

(EL) ΕΚ Δήλωση συμμόρφωσης

Techtronic Industries GmbH
Max-Eyth-Straße 10, 71364 Winnenden, Germany

Δια του παρόντος δηλώνουμε ότι το προϊόν

Γωνιακός Τροχός
Μάρκα: Ryobi
Αριθμός μοντέλου: EAG2000RS
Εύρος σειριακών αριθμών:
EAG2000RS: 44433201000001-4443320199999

είναι σύμφωνο με τις παρακάτω Ευρωπαϊκές Οδηγίες και εναρμονισμένα πρότυπα

2006/42/EC, 2004/108/EC (Ε.Ο.Σ 9 ΑΠΡΙΛΙΟΥ 2016), 2014/30/EU, 2011/65/EU
EN55014-1:2006+A1:2009+A2:2011, EN55014-2:1997+A1:2001+A2:2008,
EN61000-3-2:2006+A1:2009+A2:2009, EN61000-3-3:2013,
EN60745-1:2009+A11:2010, EN60745-2-3:2011+A2:2013

Τα έγγραφα RoHS συντάσσονται σύμφωνα με το EN 50581:2012

Andrew John Eyre (BEng, CEng, MIET)
Αντιπρόεδρος, Τμήμα Ρυθμίσεων & Ασφάλειας
Winnenden, Sep. 24, 2014

Εξουσιοδοτημένο άτομο για σύνταξη τεχνικού αρχείου:

Alexander Krug, Διευθύνων Σύμβουλος
Techtronic Industries GmbH
Max-Eyth-Straße 10, 71364 Winnenden, Germany

(TR) EC Uygunluk beyanı

Techtronic Industries GmbH
Max-Eyth-Straße 10, 71364 Winnenden, Germany

Böylelikle beyan ederiz ki; ürün

Açılı Taşlama Makinesi
Marka: Ryobi
Model numarası: EAG2000RS
Seri numarası aralığı:
EAG2000RS: 44433201000001-4443320199999

şağıdaki Avrupa Direktifleri ve uyumlaştırılmış standartlara uygundur

2006/42/EC, 2004/108/EC (19 Nisan 2016'ya kadar), 2014/30/EU, 2011/65/EU
EN55014-1:2006+A1:2009+A2:2011, EN55014-2:1997+A1:2001+A2:2008,
EN61000-3-2:2006+A1:2009+A2:2009, EN61000-3-3:2013,
EN60745-1:2009+A11:2010, EN60745-2-3:2011+A2:2013

RoHS documentation is compiled according to EN 50581:2012

Andrew John Eyre (BEng, CEng, MIET)
Başkan Vekili, Düzenleme ve Güvenlik
Winnenden, Sep. 24, 2014

Teknik dosya hazırlamaya yetkilidir:

Alexander Krug, Genel Müdür
Techtronic Industries GmbH
Max-Eyth-Straße 10, 71364 Winnenden, Germany



